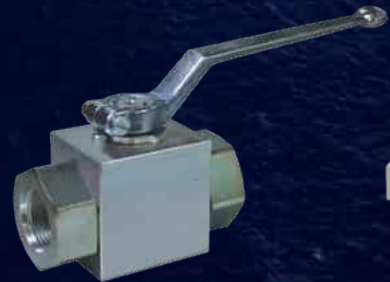


M E HYDRAULICS PRIVATE LIMITED

adding value to customers

Tube Connectors - Tube Clamps - Valves



ISO 9001:2015 Certified Company

www.mehydro.com

Catalogue Index

Sr. No.	Particulars	Page No.
1	Company Profile	03
2	Product Catalogue	05
2.1	Calibrated Needle and Shut Off Valves - Series - CNSV	05
2.2	Check Valve (Screwed End) Series - CVR/N	06
2.3	Non Compensated Flow Control Valve - Series - FCV	07
2.4	Shut Off Valve (Screwed End) Series - LKV	08
2.5	Bar Stock Miniature Needle Valve Screwed - MMVR/W	09
2.6	Needle Valve (Screwed End) Series - MVR/N	10
2.7	Needle Valve (Tube End) Series - MV	11
2.8	Non Return Valve (Tube End) Series - RHD	12
2.9	Non Return Valve (Tube End) Series - RHV	13
2.10	Non Return Valve (Tube End) Series - RHZ	14
2.11	Square Body High Pressure Ball Valve - HBV	15
2.12	Square Body Medium Pressure Ball Valve - MBV	16

Company Intro

We are into Designing, Manufacturing and Export of Hydraulic Tube Clamps, Tube Fittings, Highly Precise Industrial Fitting products since 1989. We are known for consistent quality products, services and ethical approach to business in both national and international markets.










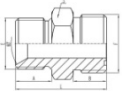
Our Infrastructure, Skilled Workforce and Machine Equipments as well as the expertise of our Engineers and allied work force enable us to offer our clients a complete range of Quality Hydraulic Products.

Our Policy states:

Right Quality at Right Price at Right Time

Our Product Range Includes:

Confirms to relevant DIN, ISO and SAE Standards.

	Tube Clamps		Precision Fittings & Adaptors
	Single Ferrule Tube Fittings		Hose Fittings
	Double Ferrule Tube Fittings		SAE Flanges
	Flare Fittings		High Pressure Valves and Quick Release Coupling
	ORFS Fittings		Custom Manufactured Pipe Fittings and Clamps

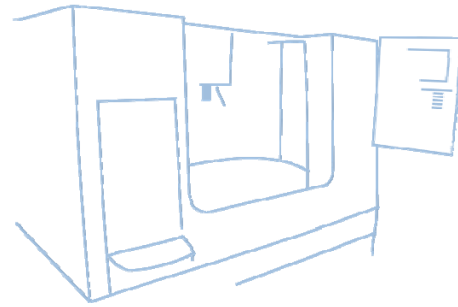
We offer wide range of configuration in each of the above said line of Products. Please let us know what type of products you are looking for your requirements. Meanwhile, do check our Individual Product Catalogue.

Our Current Export Market

Our Products are regularly exported to USA, Singapore, Europe, Gulf, Australia, African and Russian Countries.

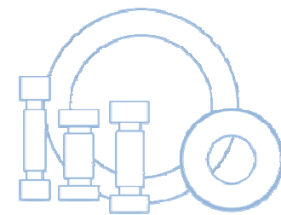
Our Infrastructure

05 nos.	of	CNC Lathe
16 nos.	of	Single Spindle Automate
04 nos.	of	Lathe
02 nos.	of	Cutting Machine
02 nos.	of	Injection Molding Machine
03 nos.	of	Power Press
02 nos.	of	Crimping Machine



Our Inspection Facilities

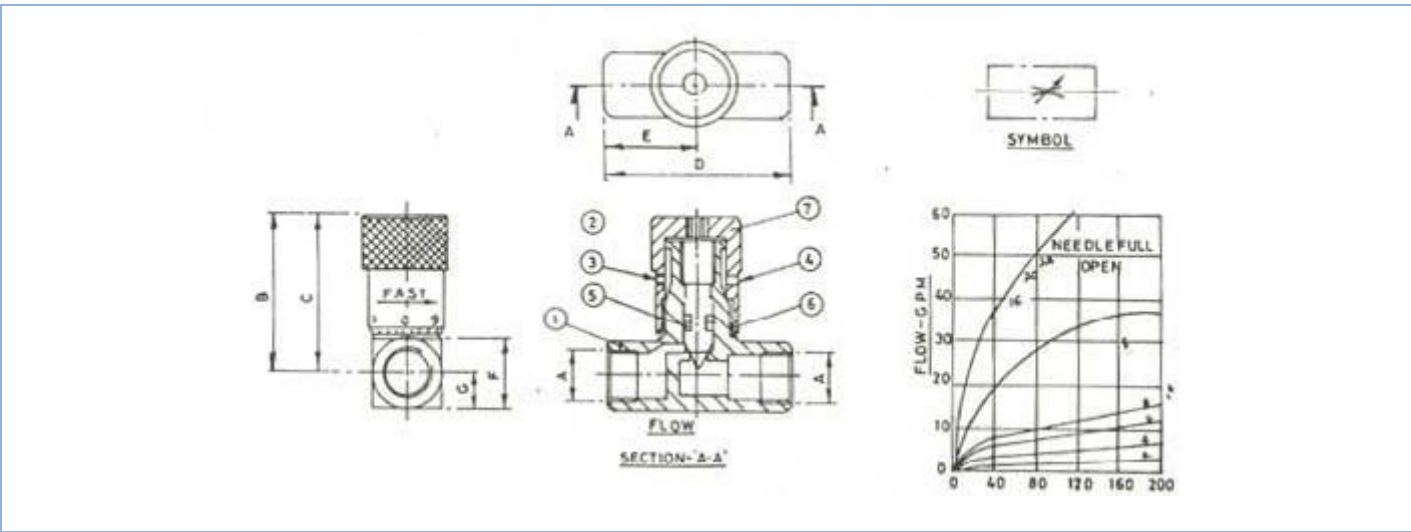
- Thread Gauges, Bore & Taper Gauges
- Pressure Test Bench [German] - 3500 bar / 50000 PSI
- Nitrogen Test Bench
- Pneumatic Test Bench
- Vernier, Calipers and Other Measuring Instruments



Why ME

- Consistent Quality
- Timely Delivery
- Most Competitive Prices
- Confirmed to DIN / SAE / ISO Standards
- Customization of Products
- Vast Product Range

Calibrated Needle and Shut Off Valves - Series - CNSV



Orifice & Flow Chart		
Part No.	BSP/NPT A	Free Flow Dia
2 CNSV	1/8	0.12
2 CNSV	1/4	0.30
6 CNSV	3/8	0.39
8 CNSV	1/2	0.48
12 CNSV	3/4	0.65
16 CNSV	1"	0.86
24 CNSV	1 1/2	0.62
1 1/4 & 1 1/2 ON REQUEST		

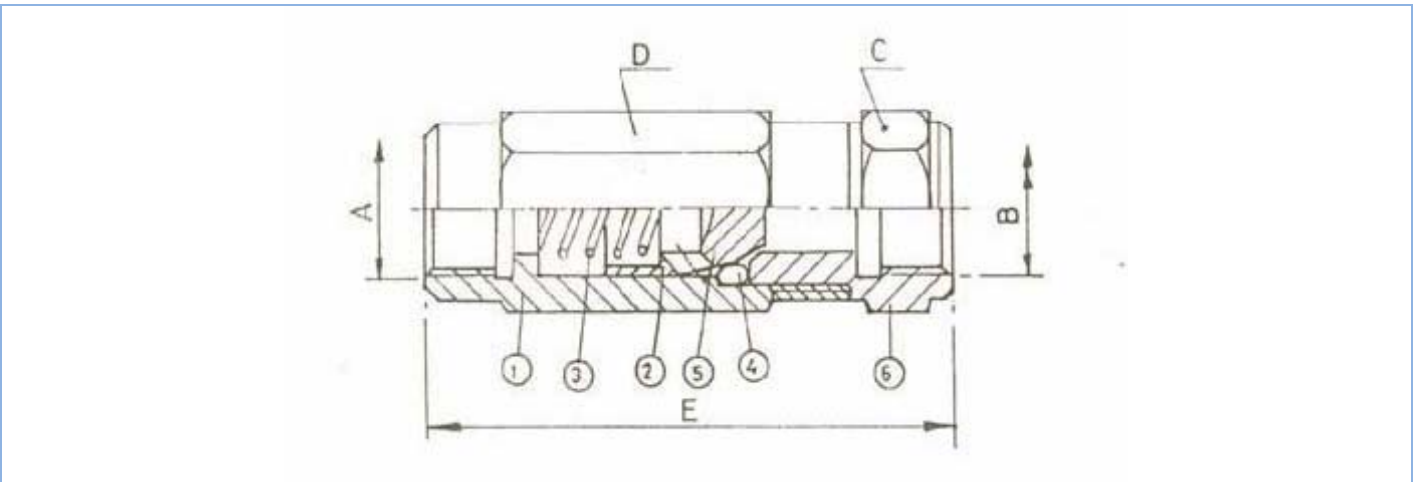
Pressure Rating	
Brass Valve	2000 PSI
CS Valve	5000 PSI
SS Valve	5000 PSI

Part No.	BSP/NPT A	B Open	C Shut	D	E	F	G
2 CNSV	1/8	14	35	27	12	26	6
4 CNSV	1/4	17	40	29	14	27.5	8
6 CNSV	3/8	19	49	30	15	29	10
8 CNSV	1/2	22	61	32	17	30.5	12
12 CNSV	3/4	27	71	36	21	33.5	15
16 CNSV	1"	32	107	40	23.5	36	18
1 1/4" & 1 1/2" ON REQUEST							

Sr. No.	Description	Qty	Material		
			CS	Brass	SS
1	Body	1	CS	CS	CS
2	Needle	1	SS304	SS304	SS304
3	Ball Lock	1	CS	CS	CS
4	Allen Key	1	Brass	Brass	Brass
5	Seal		Teflon/Buna 'N'		
6	Colour Ring	5	AL	AL	AL
7	Knob	1	CS	CS	CS

NB: Specify 'R' for BSP and 'N' for NPT Thread

Check Valve (Screwed End) Series - CVR/N

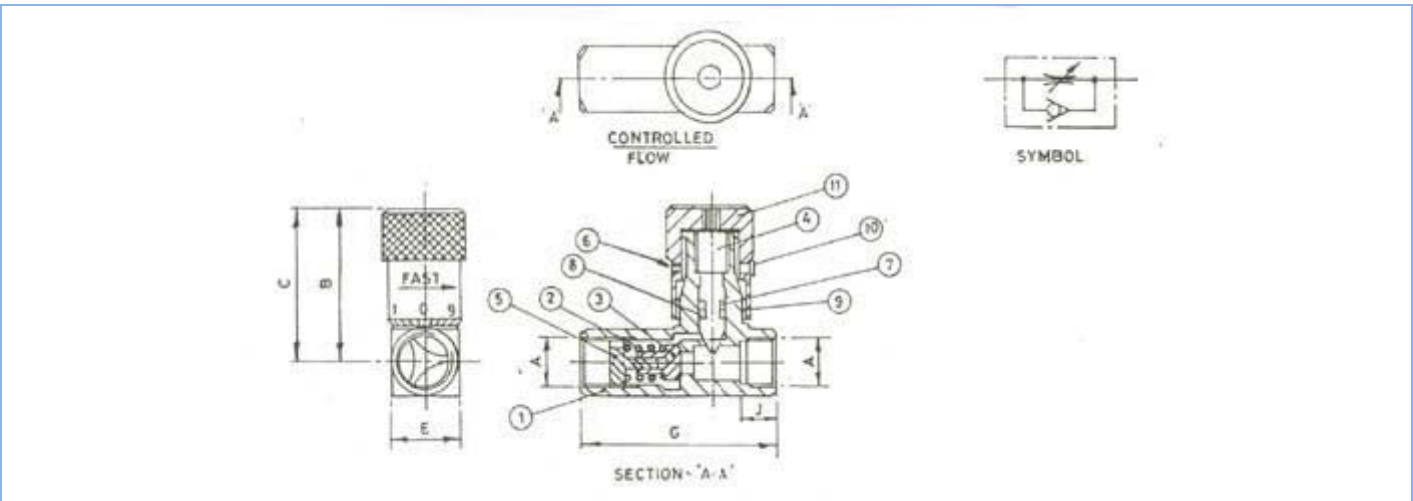


Part No.	A & B Connection	C & D Hex	E
2 CVR	1/8"	22	65
2 CVN	1/8"	22	64
4 CVR	1/4"	22	72
4 CVN	1/4"	22	75
6 CVR	3/8"	27	83
6 CVN	3/8"	27	90
8 CVR	1/2"	32	98
8 CVN	1/2"	32	105
12 CVR	3/4"	41	125
12 CVN	3/4"	41	130
16 CVR	1"	50	145
16 CVN	1"	50	150
20 CVR	1 1/4"	65	160
20 CVN	1 1/4"	65	167
24 CVR	1 1/2"	65	160
24 CVN	1 1/2"	65	167
32 CVR	2"	70	185
32 CVN	2"	70	197

Sr. No.	Description	Material		
		CS	Brass	SS
1	Body	CS	CS	CS
2	Poppet	SS304	SS304	SS304
3	Spring	CS	CS	CS
4	O Ring	Brass	Brass	Brass
5	Retainer	AL	AL	AL
6	End Coupling	CS	CS	CS

- NB:**
1. Cracking Pressure Standard 0.5 to 1.5 Kg/cm²
 2. On request up to 5 Kg/cm²
 3. Maximum operating pressure for Brass is 3000 PSI
 4. Maximum operating pressure for CS and SS is 6000 PSI/10000 PSI

Non Compensated Flow Control Valve - Series - FCV



Orifice & Flow Chart			
Part No.	BSP/NPT A	Free Flow Dia	Max Flow/GPM
4 FCV	1/8	0.30"	6
6 FCV	1/4	0.39"	8
8 FCV	3/8	0.48"	12
12 FCV	1/2	0.65"	27
16 FCV	3/4	0.86"	40
1 1/4" & 2" ON REQUEST			

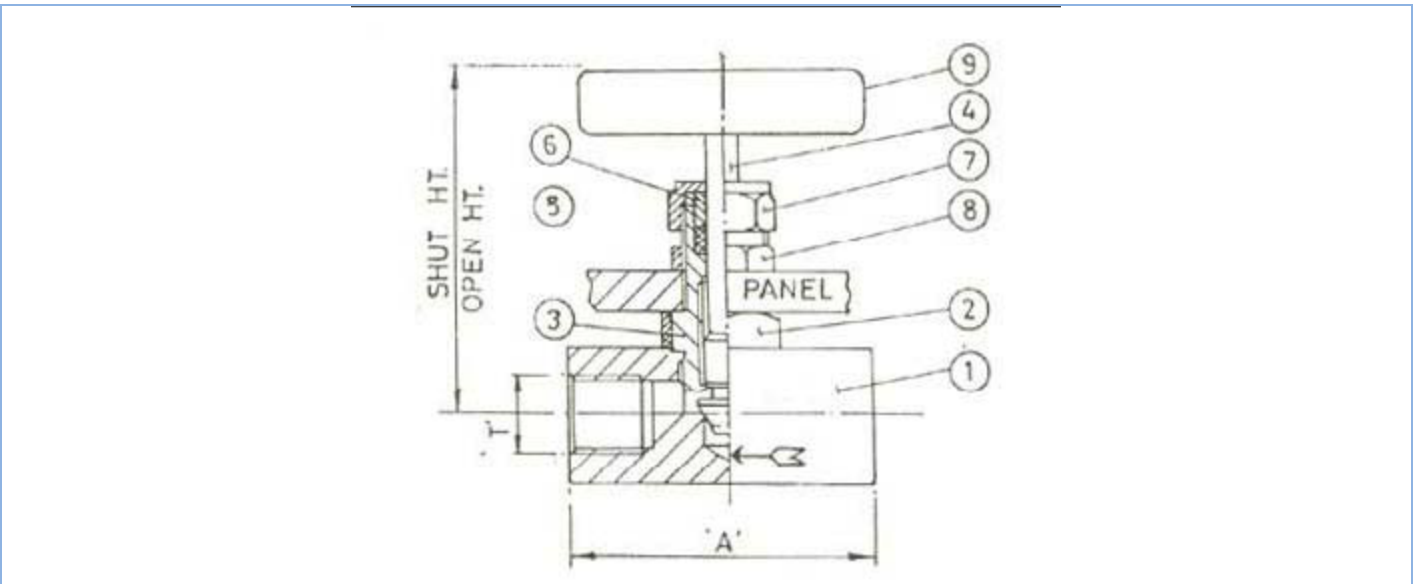
Part No.	BSP/NPT A	B Open	C Shut	D	SQ E	G	J
4 FCV	1/4"	45	40	27	20	66	11
6 FCV	3/8"	55	50	29	25	69	12
8 FCV	1/2"	68	61	30	32	87	16
12 FCV	3/4"	86	71	32	38	98	16
16 FCV	1"	124	107	36	44	127	20
1 1/4" & 2" ON REQUEST							

Pressure Rating	
Brass Valve	2000 PSI
CS Valve	5000 PSI
SS Valve	5000 PSI

Sr. No.	Description	Material	
		CS	Brass
1	Body	CS	Brass
2	Spring	CS	Br
3	Poppet	CS	CS
4	Needle	SS304	SS304
5	Retainer	CS	Brass
6	Allen Key	STD	ST
7	O Ring Seal	Buna 'N'	Buna 'N'
8	Black Up Ring	Teflon	Teflon
9	Colour Ring	ALU	ALU
10	Lock Screw	Brass	Brass
11	Knob	CS	CS

NB: Specify 'R' for BSP and 'N' for NPT Thread

Shut Off Valve (Screwed Ends) Series - LKV



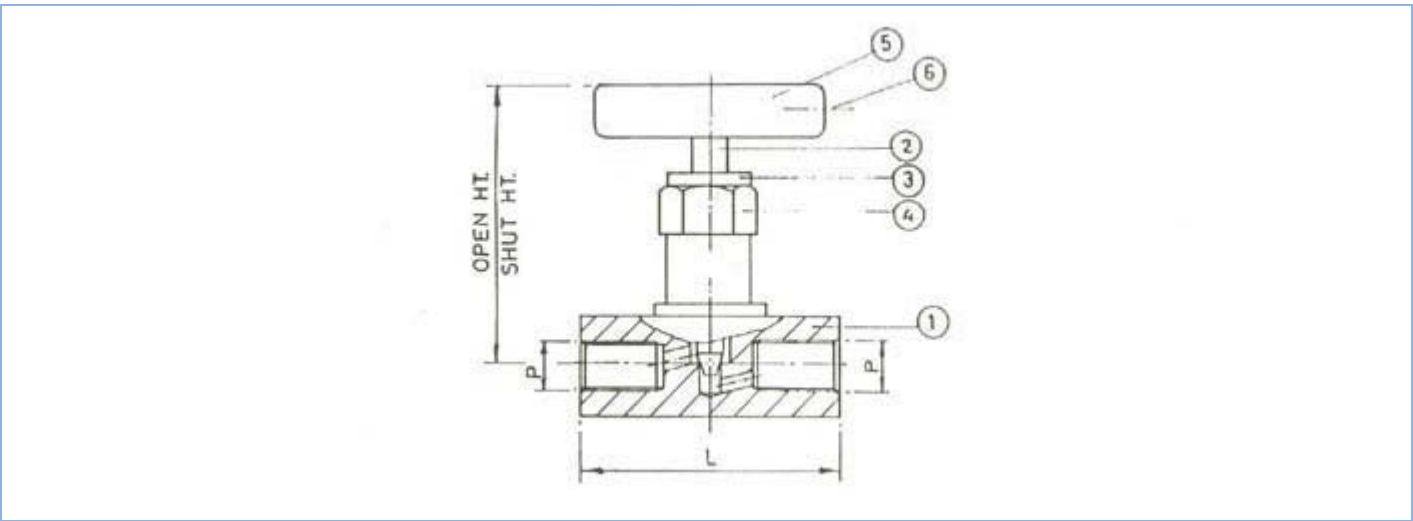
Part No. BSP Thread	Part No. BSP Thread	Size T	A	Shut HT	Open HT
2 LKVR	2 LKVN	1/8"	50	88	98
4 LKVR	4 LKVN	1/4"	50	85	94
6 LKVR	6 LKVN	3/8"	64	78	88
8 LKVR	8 LKVN	1/2"	80	85	94
12 LKVR	12 LKVN	3/4"	88	98	104
16 LKVR	16 LKVN	1"	110	121	129
20 LKVR	20 LKVN	1 1/4"	150	146	161
24 LKVR	24 LKVN	1 1/2"	160	165	177
32 LKVR	32 LKVN	2"	225	188	220

Pressure Rating	
Brass Valve	2000 PSI
CS Valve	5000 PSI
SS Valve	5000 PSI

Sr. No.	Description	Material		
		CS	Brass	SS
1	Body	CS	SS304	SS316
2	Washer	CU	CU	CU
3	Gland Body	CS	SS304	SS316
4	Spindle	SS	SS	SS
5	Check Nut	CS	CS	CS
6	Gland Seal	Buna 'N'	Teflon	Teflon
7	Retainer	CS	SS	SS
8	Gland Nut	CS	SS	SS
9	Handle	STD CS	STD CS	STD CS

- NB:**
1. CS Valve Galvanised & Dichromated
 2. Panel Mounting is available up to 1", please specify it for above 1"

Bar Stock Miniature Needle Valve Screwed - MMVR/W

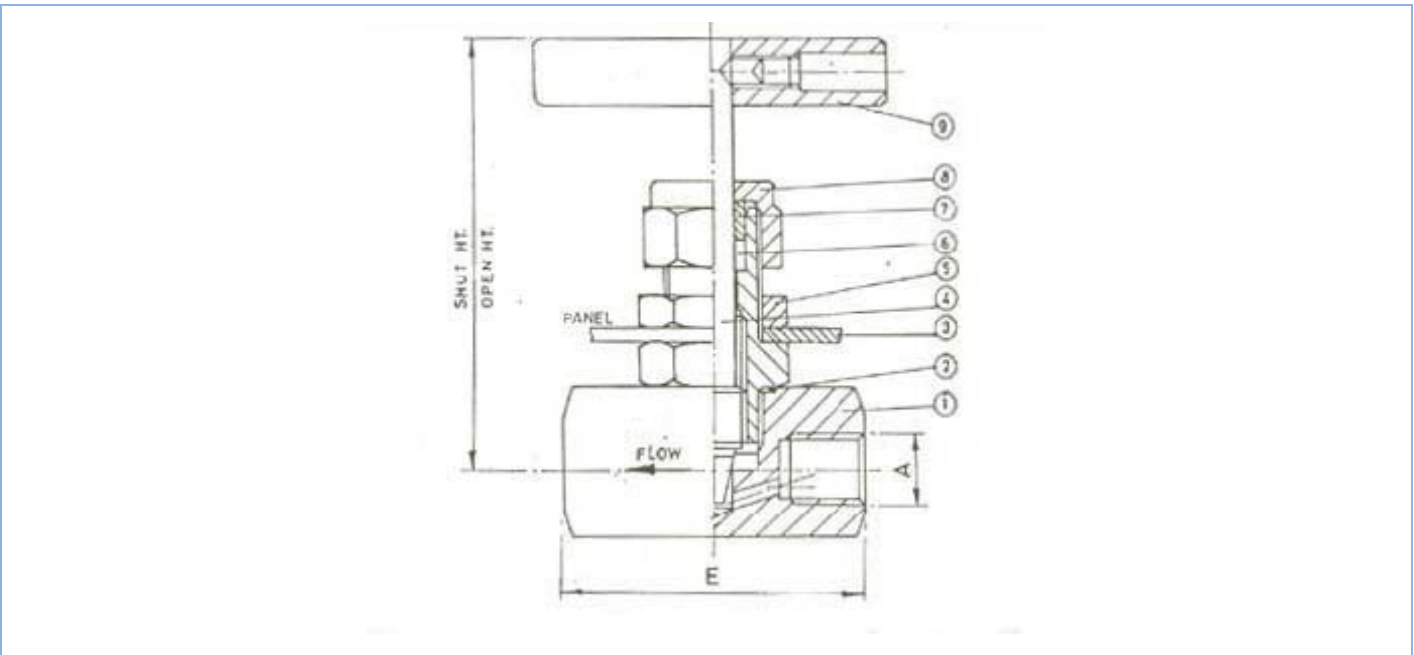


Part No.	Connection P	L	Shut HT	Open HT
2 MMVR	1/8" BSP	50	52	58
2 MMVN	1/8" NPT	50	52	58
4 MMVR	1/4" BSP	50	52	58
4 MMVN	1/4" NPT	50	52	58
6 MMVR	3/8" BSP	56	55	62
6 MMVN	3/8" NPT	56	55	62
8 MMVR	1/2" BSP	ON REQUEST		
8 MMVN	1/2" NPT			

Sr. No.	Description	Material		
		CS	Brass	SS
1	Body	CS	Brass	SS
2	Stem	SS	SS	SS
3	Seal	Teflon	Teflon	Teflon
4	Retainer Nut	CS	Brass	SS
5	Handle	CS	CS	SS
6	Handle Screw	STD	STD	STD

- NB:**
1. Maximum Operating pressure for CS & SS is 200 Kc/cm² and that of Brass is 100 Kg/cm²
 2. For Pneumatic service pressure rating will be half of the above
 3. Kindly mention the material of body

Needle Valve (Screwed Ends) Series - MVR/N

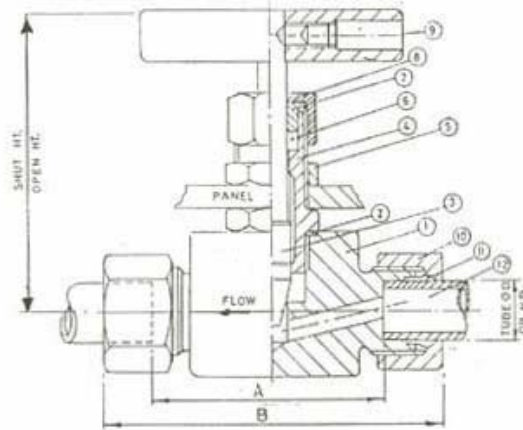


Part No.	A & B Connection	E	Shut HT	Open HT
2 MVR	1/8" BSP	45	82	88
2 MVN	1/8" NPT	45	82	88
4 MVR	1/4" BSP	50	82	88
4 MVN	1/4" NPT	56	82	88
6 MVR	3/8" BSP	65	82	88
6 MVN	3/8" NPT	65	82	88
8 MVR	1/2" BSP	72	82	88
8 MVN	1/2" NPT	72	82	88
12 MVR	3/4" BSP	80	90	98
12 MVN	3/4" NPT	80	90	98
16 MVR	1" BSP	85	110	118
16 MVN	1" NPT	85	110	118
20 MVR	1 1/4" BSP	135	145	153
20 MVN	1 1/4" NPT	135	145	153
24 MVR	1 1/2" BSP	150	160	170
24 MVN	1 1/2" NPT	150	160	170

Sr. No.	Description	Qty	Material		
			CS	Brass	SS
1	Body	1	CS	Brass	SS
2	Washer	1	CU	CU	CU
3	Gland Body	1	CS	Brass	SS
4	Spindle	1	SS	SS	SS
5	Check Nut	1	CS	CS	CS
6	Gland Seal	3	Buna 'N'	Teflon	Teflon
7	Gland Retainer	1	CS	Brass	SS
8	Gland Nut	1	CS	Brass	SS
9	Handle	1	STD CS		

NB: 1. Panel Mounting is available up to 1"
2. Available in socket weld connection also.

Needle Valve (Tube Ends) Series - MV



For Metric Size Tubing

Series	Part No.	Tube OD	Press-ure	A	B	Open HT	Shut HT
L Light	MV 6L	6	N.P. 250	38	68	92	86
	MV 8L	8		38	68	92	86
	MV 10L	10		38	68	92	86
	MV 12L	12		40	70	100	90
	MV 15L	15	42	72	100	90	
	MV 18L	18	N.P. 160	45	78	115	100
	MV 22L	22	42	82	115	100	
	MV 28L	28	N.P. 100	53	83	125	110
S Heavy	MV 6S	6	N.P. 640	38	68	92	86
	MV 8S	8		38	68	92	86
	MV 10S	10		38	68	92	86
	MV 12S	12		41	74	100	90
	MV 14S	14	42	78	100	90	
	MV 16S	16	N.P. 400	43	80	115	100
	MV 20S	20	47	90	115	100	
	MV 25S	25	54	101	125	110	

For Inch Size NB Tubing

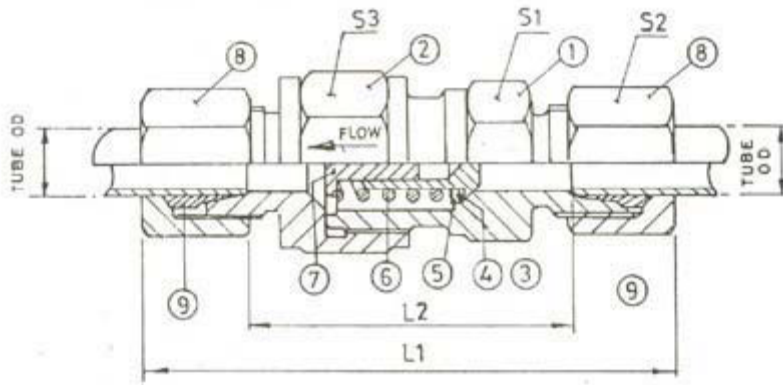
Part No.	Tube OD	A	B	Open HT	Shut HT
2 MVNB	1/8"	38	68	92	86
4 MVNB	1/4"	42	78	100	90
6 MVNB	3/8"	43	81	115	100
8 MVNB	1/2"	47	93	115	100
12 MVNB	3/4"	54	101	125	110

For Inch Size NB Tubing

Part No.	Tube OD	A	B	Open HT	Shut HT
2 MVNB	1/8"	38	60	92	86
4 MVNB	1/4"	38	70	92	86
5 MV	5/16"	38	68	92	86
6 MVNB	3/8"	38	71.5	92	86
8 MVNB	1/2"	40	75	100	90
10 MV	5/8"	43	80	115	100
12 MVNB	3/4"	44	86	115	100
16 MV	1"	54	101	125	110

Sr. No.	Description	Material		
		CS	SS	SS
1	Body	CS	SS304	SS316
2	Washer	CU	CU	CU
3	Spindle	SS	SS304	SS316
4	Gland Body	CS	SS314	SS316
5	Check Nut	CS	CS	CS
6	Gland Seal	Buna 'N' / Teflon		
7	Gland Retainer	CS	SS304	SS316
8	Gland Nut	CD	SS304	SS316
9	Handle			
10	Nut	CS	SS304	SS316
11	Ferrule	CS	SS304	SS316
12	Tube			

Non Return Valve (Tube Ends) Series - RHD



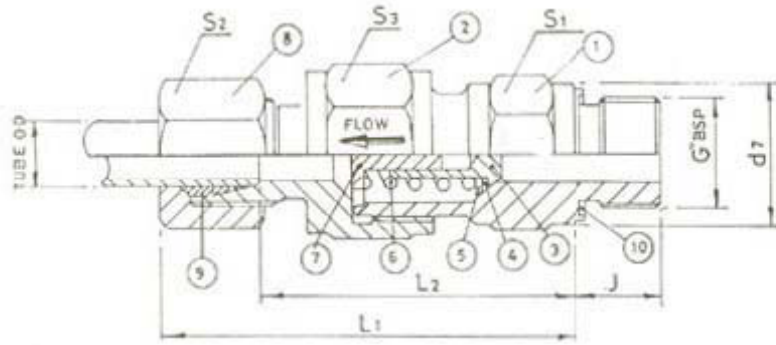
Series	Part No.	Tube OD	Pressure	S1	S2	S3	L1	L2	
L Light	RHD 6L	6	N.P. 250	17	14	17	58	29	
	RHD 8L	8		19	17	19	59	30	
	RHD 10L	10		22	19	24	69.5		
	RHD 12L	12		27	22	30	72.5	41.5	
	RHD 15L	15		27	27	32	77.5	47.5	
	RHD 18L	18	N.P. 160	36	32	36	83.5	51.5	
	RHD 22L	22	N.P. 100	41	36	46	93.5	61.5	
	RHD 28L	28		50	41	55	102.5	89.5	
	RHD 35L	35		60	50	60	117.5	71.5	
	RHD 42L	42		65	60	70	119	74	
RHD 6S	6	S Heavy		N.P. 400	19	17	19	63.5	
RHD 8S	8		19		19	19	63.6		
RHD 10S	10		22		22	24	72.5	40.5	
RHD 12S	12		24		24	27	74.5	42.5	
RHD 14S	14		27		27	32	82.5	47.6	
RHD 16S	16		32		30	36	86.5	50.5	
RHD 20S	20		41		36	46	97.5	54.5	
RHD 25S	25		N.P. 250		46	46	50	106.5	58.5
RHD 30S	30				60	50	60	112.5	69.5
RHD 38S	38				65	60	70	136.5	75.5

Sr. No.	Description	Material		
		CS	Brass	SS
1	Body (Male)	CS	Brass	SS
2	Body (Female)	CS	Brass	SS
3	Poppet	CS	Brass	SS
4	Seal	Buna 'N'		
5	Retainer	CS	Brass	SS
6	Spring	CS	CS	SS
7	Retainer	CS	Brass	SS
8	Nut	CS	Brass	SS
9	Ferrule	CS	Brass	SS

NB:

1. Cracking Pressure Standard 0.5 to 1.5 Kg/cm²
2. On request up to 6 Kg/cm²
3. Kindly mention material of the body

Non Return Valve (Tube Ends) Series - RHV



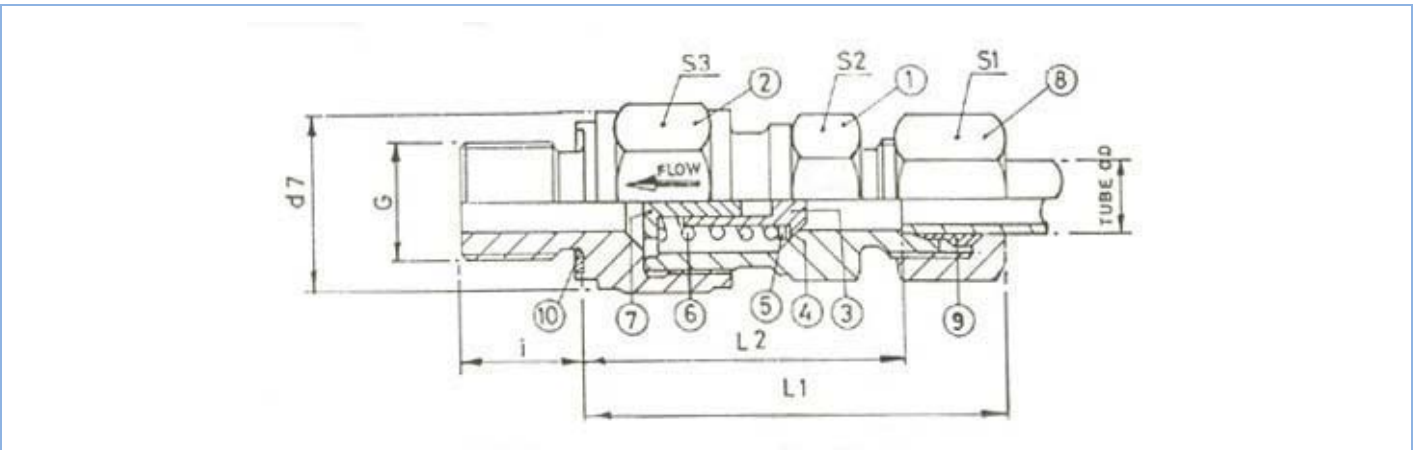
Series	Part No.	Tube OD	Pressure	S1	S2	S3	i	BSP Thread G	L1	L2
L Light	RHV 6LR-ed	6	N.P. 250	17	14	17	8	1/8"	42.5	28
	RHV 8LR-ed	8		19	17	19	12	1/4"	44.5	30
	RHV 10LR-ed	10		22	19	24	12	1/4"	53	38.5
	RHV 12LR-ed	12	N.P. 160	27	22	30	12	3/8"	57	42.5
	RHV 15LR-ed	15		27	27	32	14	1/2"	60.5	45.5
	RHV 18LR-ed	18		36	32	36	14	1/2"	66	50
	RHV 22LR-ed	22	N.P. 100	41	36	46	16	3/4"	71	55
	RHV 28LR-ed	28		50	41	55	18	1"	79.5	63
	RHV 35LR-ed	35		60	50	60	20	1 1/4"	90.5	69
RHV 42LR-ed	42		65	60	70	22	1 1/2"	91	69.5	
S Heavy	RHV 6SR-ed	6	N.P. 400	19	17	19	12	1/4"	46	31.5
	RHV 8SR-ed	8		19	19	19	12	1/4"	46	31.5
	RHV 10SR-ed	10		22	22	24	12	3/8"	54	38
	RHV 12SR-ed	12		24	24	27	12	3/8"	57	41
	RHV 14SR-ed	14		27	27	32	14	1/2"	62	44.5
	RHV 16SR-ed	16	N.P. 250	32	30	36	14	1/2"	66	48
	RHV 20SR-ed	20		41	36	46	16	3/4"	73.5	52
	RHV 25SR-ed	25		46	46	50	18	1"	78.5	54.5
	RHV 30SR-ed	30		60	50	60	20	1 1/4"	90.5	64
RHV 38SR-ed	38		65	60	70	22	1 1/2"	100	69.5	

Sr. No.	Description	Material		
		CS	Brass	SS
1	Body (Male)	CS	Brass	SS
2	Body (Female)	CS	Brass	SS
3	Poppet	CS	Brass	SS
4	Seal	Buna 'N'		
5	Retainer	CS	Brass	SS
6	Spring	CS	CS	SS
7	Retainer	CS	Brass	SS
8	Nut	CS	Brass	SS
9	Ferrule	CS	Brass	SS
10	O Ring	Buna 'N'		

NB:

1. Cracking Pressure Standard 0.5 to 1.5 Kg/cm²
2. On request up to 6 Kg/cm²
3. Kindly mention material of the body

Non Return Valve (Tube Ends) Series - RHZ



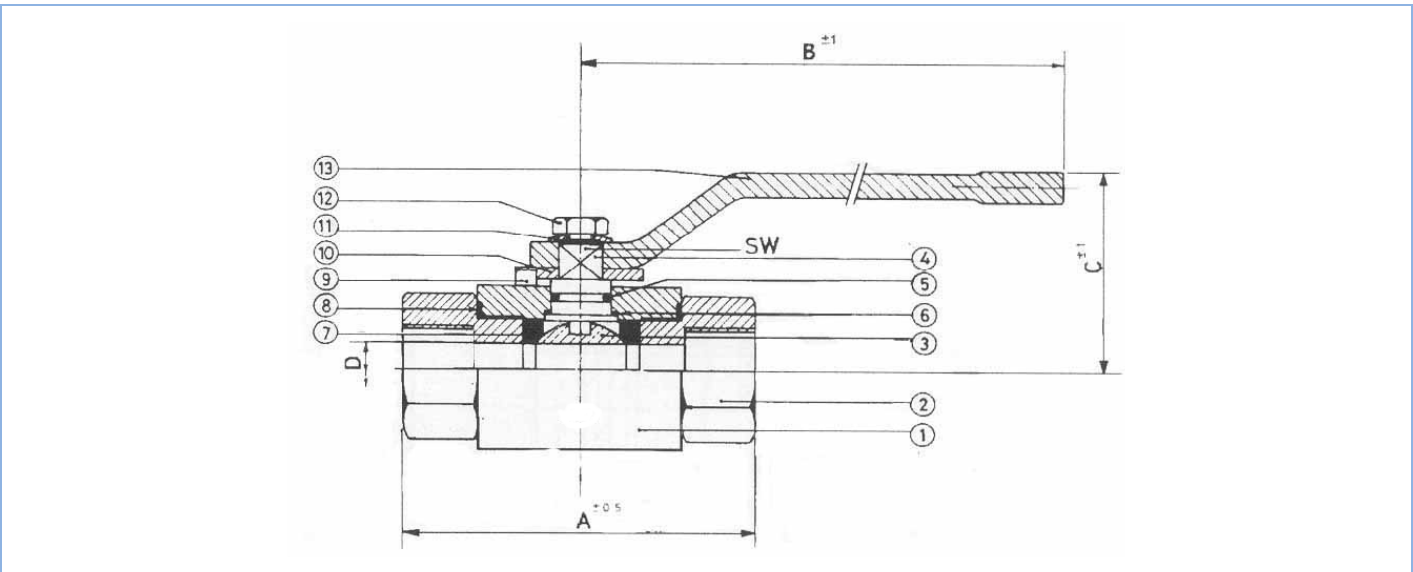
Series	Part No.	Tube OD	Pressure	S1	S2	S3	i	BSP Thread G	L1	L2
L Light	RHZ 6LR-ed	6	N.P. 250	17	14	17	8	1/8"	41	26.5
	RHZ 8LR-ed	8		19	17	19	12	1/4"	43	28.5
	RHZ 10LR-ed	10		22	19	24	12	1/4"	53	38.5
	RHZ 12LR-ed	12		27	22	30	12	3/8"	55	40.5
	RHZ 15LR-ed	15	N.P. 160	27	27	32	14	1/2"	57.5	42.5
	RHZ 18LR-ed	18		36	32	36	14	1/2"	64	48
	RHZ 22LR-ed	22	N.P. 100	41	36	46	16	3/4"	72	56
	RHZ 28LR-ed	28		50	41	55	18	1"	80.5	64
	RHZ 35LR-ed	35		60	50	60	20	1 1/4"	19.5	70
RHZ 42LR-ed	42		65	60	70	22	1 1/2"	93	70.5	
S Heavy	RHZ 6SR-ed	6	N.P. 400	19	17	19	12	1/4"	46	31.5
	RHZ 8SR-ed	8		19	19	19	12	1/4"	46	31.5
	RHZ 10SR-ed	10		22	22	24	12	3/8"	54	38
	RHZ 12SR-ed	12		24	24	27	12	3/8"	57	41
	RHZ 14SR-ed	14	N.P. 250	27	27	32	14	1/2"	61	43.5
	RHZ 16SR-ed	16		32	30	36	14	1/2"	64	46
	RHZ 20SR-ed	20	N.P. 250	41	36	46	16	3/4"	71.5	50
	RHZ 25SR-ed	25		46	46	50	18	1"	78.5	54.5
	RHZ 30SR-ed	30		60	50	60	20	1 1/4"	90.5	64
RHZ 38SR-ed	38		65	60	70	22	1 1/2"	102	71.5	

Sr. No.	Description	Material		
		CS	Brass	SS
1	Body (Male)	CS	Brass	SS
2	Body (Female)	CS	Brass	SS
3	Poppet	CS	Brass	SS
4	Seal	Buna 'N'		
5	Retainer	CS	Brass	SS
6	Spring	CS	CS	SS
7	Retainer	CS	Brass	SS
8	Nut	CS	Brass	SS
9	Ferrule	CS	Brass	SS
10	O Ring	Buna 'N'		

NB:

1. Cracking Pressure Standard 0.5 to 1.5 Kg/cm²
2. On request up to 6 Kg/cm²
3. Kindly mention material of the body

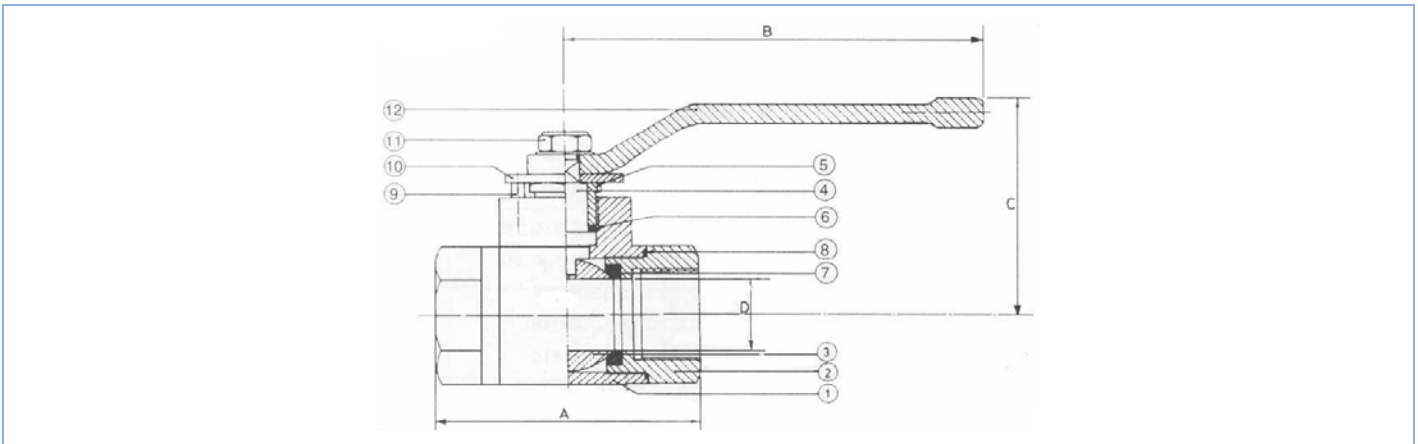
Square Body High Pressure Ball Valve - HBV



Size	Part No.	Test Pressure (Bar)	A	B	C	D	SW
1/4"	4 -HBV	700	51	60	40	6	9
3/8"	6 -HBV	500	70	65	50	10	9
1/2"	8 -HBV	500	84	130	50	12	9
3/4"	12 - HBV	500	95	150	75	20	14
1"	16 - HBV	325	111	160	80	25	14
1 1/2"	24 - HBV	275	125	195	95	40	16
2"	32 - HBV	200	140	195	105	50	16

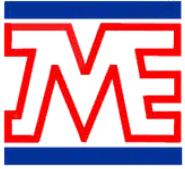
Sr. No.	Description	Material			Quantity
		CS	SS	Brass	
1	Body	CS	SS	Brass	1
2	Adaptor	CS	SS	Brass	2
3	Ball	SS304 / SS316			1
4	Stem	SS304			1
5	O Ring	Viton			1
6	S. Washer	PTFE			1
7	B. Washer	PTFE / PQM / MOS			2
8	P. Washer	PTFE			2
9	Stopper Pin	SS304			1
10	Cam Plate	MS			1
11	Washer	Spring Steel			1
12	Bolt	CS			1
13	Handle	CS Coated			1

Square Body Medium Pressure Ball Valve - MBV



Size	Part No.	Test Pressure (Bar)	A	B	C	D
1/8"	2 - MBV	300	41	40	30	3.2
1/4"	4 - MBV	200	51	53	40	6.4
3/8"	6 - MBV	200	52	63	50	9.6
1/2"	8 - MBV	150	63	102	55	12.7
3/4"	12 - MBV	100	80	135	72	19
1"	16 - MBV	70	90	142	80	25.4

Sr. No.	Description	Material			Quantity
		CS	SS	Brass	
1	Body	CS	SS	Brass	1
2	Adaptor	CS	SS	Brass	1
3	Ball	SS304 / SS316			1
4	Stem	SS304 / SS316			1
5	G Nut	SS304 / SS316			1
6	S. Washer	PTFE			2
7	B. Washer	PTFE / GFT			2
8	P. Washer	PTFE			1
9	Stopper Pin	SS304			1
10	Cam Plate	MS			1
11	Nut	MS			1
12	Handle	CS Coated			1



M E HYDRAULICS PRIVATE LIMITED

adding value to customers



Exports to:

- USA
- UK
- UAE
- SWEDEN
- SINGAPORE
- KUWAIT
- ITALY
- GERMANY
- CHILE



M E HYDRAULICS PVT LTD

UNIT 4, MERCHANT IND ESTATE 1
VALIV ROAD, VASAI EAST
MUMBAI - 401208 - INDIA
Email:- info@mehydro.com

Tel: +91-9320160600
Web: www.mehydro.com

ISO 9001:2015 Certified Company

www.mehydro.com