

M E HYDRAULICS PRIVATE LIMITED

adding value to customers

TUBE FITTINGS

DIN2353 / ISO8434-1



- RIGHT QUALITY
- RIGHT PRICE
- RIGHT TIME

ISO 9001:2015 Certified Company

www.mehydro.com

TUBE FITTINGS TO DIN2353 / ISO 8434—1

"ME" High Pressure Steel Fitting are manufactured to following standard:

Reference Tube Coupling standards for Metric tube only

ISO 8434 -1 -- 24° Cone Bite type
 IS : 8805 -- 24° Cone Bite type
 DIN 2353 -- 24° Cone Bite type
 ISO 8434 -4 -- 24° Cone with Weld on Nipples
 BS 5200 -- 60° Hose end

Reference Port Connector standards

ISO 1179 -- BSPP (G) threads, Flat face
 BS 5380 -- BSPP (G) threads, O' Ring seal
 ISO 6149 -- Metric threads, O' Ring seal
 SAE J 1926/1 -- SAE (UNF/UN) threads, O' Ring seal
 ISO 6162 -- Four Screw, Split flange (SAE J514)
 ISO 6164 -- Four Screw, One piece Square flange.

Material of Construction:

"ME" Fitting, Nuts and ferrules are available in drawn Bar / Forged Carbon steel, S.S.304, S.S.316 and Brass.

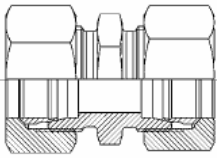
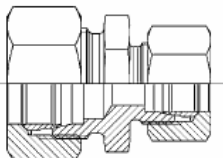
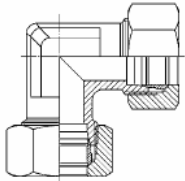
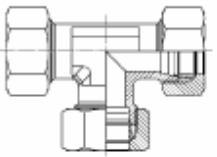
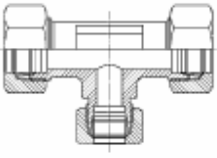
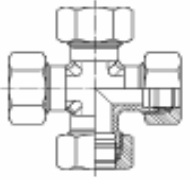
Surface Treatment:

The Surface finish of fittings is zinc coated and yellow bi chromated [A3C to ISO 4042]
 Weld Nipples are Phosphated & oiled.

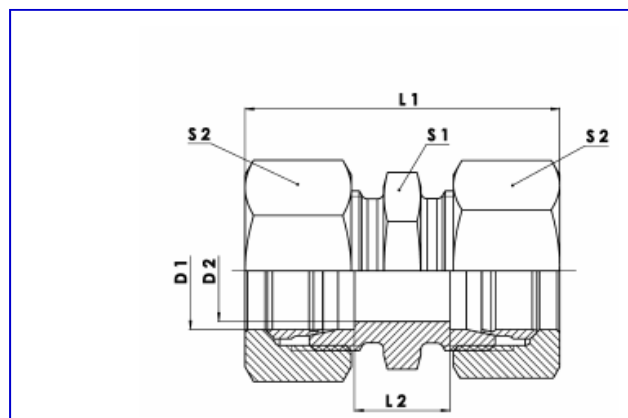
General outlay of pressure ranges, tube sizes and threads:

SERIES	OD OF TUBE MM	W.P. IN KG/CM ²	THREAD SIZE AT PORT/STUD ENDS	SERIES	OD OF TUBE MM	W.P. IN KG/CM ²	THREAD SIZE AT PORT/STUD ENDS PIPE
L	6	250	1/8"	S	6	630	1/4"
	8		1/4"		8		1/4"
	10		1/4"		10		3/8"
	12		3/8"		12		3/8"
	15		1/2"		14		1/2"
	18	160	1/2"		16	400	1/2"
	22		3/4"		20		3/4"
	28		1"		25		1"
	35	100	1 1/4"		30	250	1 1/4"
	42		1 1/2"		38		1 1/2"

TUBE FITTINGS—SINGLE FERRULE DIN2353—UNION

ME PART NO.	UNION VISUAL INDEX	PAGE NO.
<p style="text-align: center;">G ST. COUPLING</p>		<p style="text-align: center;">1.1</p>
<p style="text-align: center;">GR ST. REDUCER</p>		<p style="text-align: center;">1.2</p>
<p style="text-align: center;">W EQUAL ELBOW</p>		<p style="text-align: center;">1.3</p>
<p style="text-align: center;">T EQUAL TEE</p>		<p style="text-align: center;">1.4</p>
<p style="text-align: center;">TR TEE REDUCER</p>		<p style="text-align: center;">1.5</p>
<p style="text-align: center;">K EQUAL CROSS</p>		<p style="text-align: center;">1.9</p>

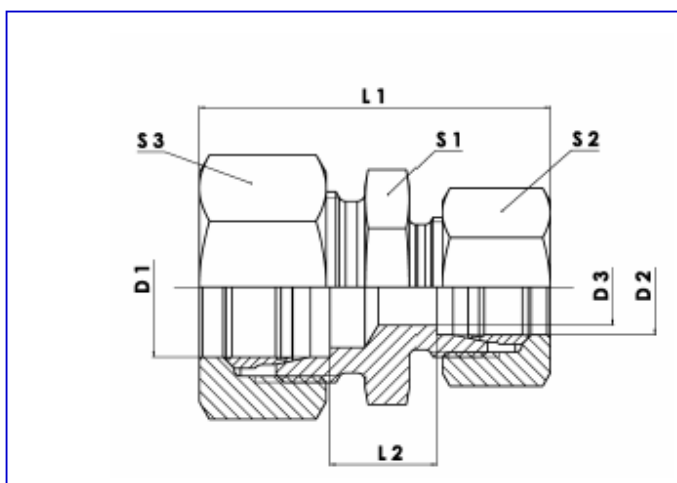
STRAIGHT COUPLING - G



1 .1

series	D1	D2	L1	L2	S1	S2	Wt in gm/no.	PN bar	ME PART NO.
LL	4	3,0	31	12	9	10	14	100	G 4 LL
	6	4,5	32	9	11	12	21	100	G 6 LL
	8	6,0	35	12	12	14	26	100	G 8 LL
	10	8,0	35	12	14	17	38	100	G 10 LL
	12	10,0	35	11	17	19	45	100	G 12 LL
L	6	4,0	39	10	12	14	35	315	G 6 L
	8	6,0	40	11	14	17	50	315	G 8 L
	10	8,0	42	13	17	19	65	315	G 10 L
	12	10,0	43	14	19	22	85	315	G 12 L
	15	12,0	46	16	24	27	144	315	G 15 L
	18	15,0	48	16	27	32	204	315	G 18 L
	22	19,0	52	20	32	36	269	160	G 22 L
	28	24,0	54	21	41	41	334	160	G 28 L
	35	30,0	63	20	46	50	528	160	G 35 L
	42	36,0	66	21	55	60	774	160	G 42 L
S	6	4,0	45	16	14	17	61	630	G 6 S
	8	5,0	47	18	17	19	83	630	G 8 S
	10	7,0	49	17	19	22	112	630	G 10 S
	12	8,0	51	19	22	24	135	630	G 12 S
	14	10,0	57	22	24	27	191	630	G 14 S
	16	12,0	57	21	27	30	233	400	G 16 S
	20	16,0	66	23	32	36	370	400	G 20 S
	25	20,0	74	26	41	46	682	400	G 25 S
	30	25,0	80	27	46	50	807	400	G 30 S
	38	32,0	90	29	55	60	1268	315	G 38 S

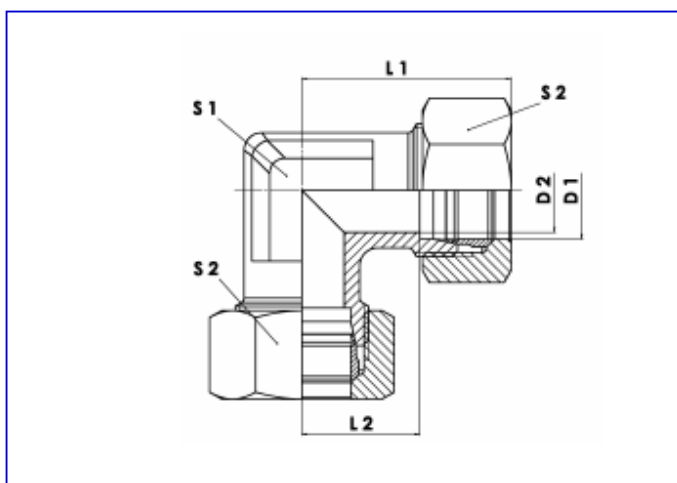
STRAIGHT REDUCER - GR



1.2

series	D1	D2	D3	L1	L2	S1	S2	S3	Wt gm/no	PN BAR	ME PART NO.		
LL	6	4	3	32	10,5	11	10	12	18	100	GR	604	LL
	8	4	3	34	12,5	12	10	14	21	100	GR	804	LL
	8	6	5	34	11	12	12	14	26	100	GR	806	LL
L	8	6	4	40	11	14	14	17	45	315	GR	806	L
	10	6	4	41	12	17	14	19	54	315	GR	1006	L
	10	8	6	41	12	17	17	19	59	315	GR	1008	L
	12	6	4	42	13	19	14	22	66	315	GR	1206	L
	12	8	6	42	13	19	17	22	72	315	GR	1208	L
	12	10	8	43	14	19	19	22	79	315	GR	1210	L
	15	10	8	45	15	24	19	27	114	315	GR	1510	L
	15	12	10	45	15	24	22	27	120	315	GR	1512	L
	18	10	8	46	15,5	27	19	32	154	315	GR	1810	L
	18	12	10	46	15,5	27	22	32	160	315	GR	1812	L
	18	15	12	48	16,5	27	27	32	179	315	GR	1815	L
	22	12	10	48	17,5	32	22	36	198	160	GR	2212	L
	22	15	12	50	18,5	32	27	36	225	160	GR	2215	L
	22	18	15	50	18	32	32	36	246	160	GR	2218	L
	28	18	15	52	19	41	32	41	308	160	GR	2818	L
	28	22	19	54	21	41	36	41	327	160	GR	2822	L
35	22	19	59	21	46	36	50	448	160	GR	3522	L	
35	28	24	59	21	46	41	50	461	160	GR	3528	L	
42	35	30	66	21,5	55	50	60	726	160	GR	4235	L	
S	8	6	4	47	18	17	17	19	77	630	GR	806	S
	10	6	4	48	17,5	19	17	22	94	630	GR	1006	S
	10	8	5	48	17,5	19	19	22	99	630	GR	1008	S
	12	6	4	50	19,5	22	17	24	112	630	GR	1206	S
	12	8	5	50	19,5	22	19	24	118	630	GR	1208	S
	12	10	7	51	19	22	22	24	131	630	GR	1210	S
	14	10	7	54	20,5	24	22	27	161	630	GR	1410	S
	14	12	8	54	20,5	24	24	27	166	630	GR	1412	S
	16	10	7	54	20	27	22	30	186	400	GR	1610	S
	16	12	8	54	20	27	24	30	196	400	GR	1612	S
	16	14	10	57	21,5	27	27	30	208	400	GR	1614	S
	20	10	7	60	22	32	22	36	277	400	GR	2010	S
	20	12	8	60	22	32	24	36	282	400	GR	2012	S
	20	16	12	63	23	32	30	36	319	400	GR	2016	S
	25	16	12	68	25,5	41	30	46	523	400	GR	2516	S
	25	20	16	71	25,5	41	36	46	564	400	GR	2520	S
	30	20	16	74	26	46	36	50	651	400	GR	3020	S
	30	25	20	77	26,5	46	46	50	771	400	GR	3025	S
38	30	25	87	29,5	55	50	60	1122	315	GR	3830	S	

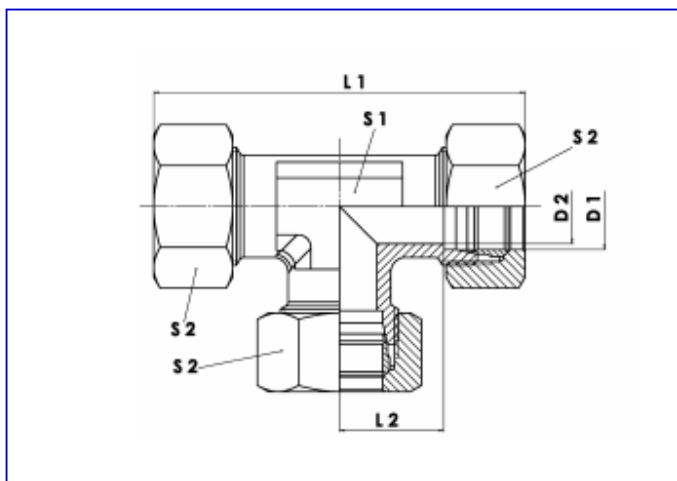
EQUAL ELBOW—W



1.3

series	D1	D2	L1	L2	S1	S2	Wt in gm/no.	PN Bar	ME PART NO.	
LL	4	3	21	11	9	10	22	100	W	4 LL
	6	4,5	21	9,5	9	12	29	100	W	6 LL
	8	6	23	11	12	14	39	100	W	8 LL
	10	8	24	12,5	12	17	57	100	W	10 LL
	12	10	25	13	14	19	70	100	W	12 LL
L	6	4	27	12	12	14	52	315	W	6 L
	8	6	29	14	12	17	77	315	W	8 L
	10	8	30	15	14	19	96	315	W	10 L
	12	10	32	17	17	22	137	315	W	12 L
	15	12	36	21	19	27	174	315	W	15 L
	18	15	40	23,5	24	32	275	315	W	18 L
	22	19	44	27,5	27	36	357	160	W	22 L
	28	24	47	30,5	36	41	537	160	W	28 L
	35	30	56	34,5	41	50	772	160	W	35 L
	42	36	63	40	50	60	1254	160	W	42 L
S	6	4	31	16	12	17	89	630	W	6 S
	8	5	32	17	14	19	120	630	W	8 S
	10	7	34	17,5	17	22	165	630	W	10 S
	12	8	38	21,5	17	24	212	630	W	12 S
	14	10	40	22	19	27	259	400	W	14 S
	16	12	43	24,5	24	30	305	400	W	16 S
	20	16	48	26,5	27	36	448	400	W	20 S
	25	20	54	30	36	46	855	400	W	25 S
	30	25	62	35,5	41	50	1080	400	W	30 S
	38	32	72	41	50	60	1733	315	W	38 S

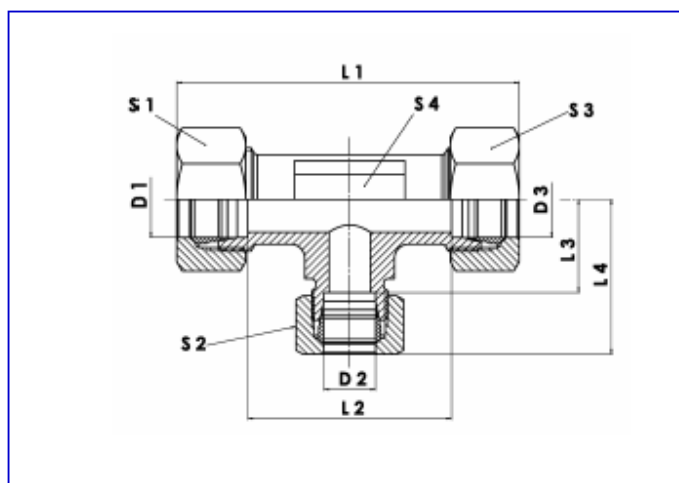
EQUAL TEE—T



1.4

series	D1	D2	L1	L2	S1	S2	Wt in gm/no.	PN Bar	ME PART NO.		
LL	4	3,0	42	11,0	9	10	32	100	T	4	LL
	6	4,5	30	9,5	9	12	40	100	T	6	LL
	8	6,0	34	11,0	12	14	51	100	T	8	LL
	10	8,0	36	12,5	12	17	76	100	T	10	LL
	12	10,0	38	13,0	14	19	89	100	T	12	LL
L	6	4,0	38	12,0	12	14	72	315	T	6	L
	8	6,0	42	14,0	12	17	105	315	T	8	L
	10	8,0	44	15,0	14	19	111	315	T	10	L
	12	10,0	48	17,0	17	22	151	315	T	12	L
	15	12,0	56	21,0	19	27	246	315	T	15	L
	18	15,0	62	23,5	24	32	382	315	T	18	L
	22	19,0	70	27,5	27	36	493	160	T	22	L
	28	24,0	76	30,5	36	41	691	160	T	28	L
	35	30,0	90	34,5	41	50	1038	160	T	35	L
42	36,0	102	40,0	50	60	1622	160	T	42	L	
S	6	4,0	46	16,0	12	17	124	630	T	6	S
	8	5,0	48	17,0	14	19	140	630	T	8	S
	10	7,0	50	17,5	17	22	193	630	T	10	S
	12	8,0	58	21,5	17	24	230	630	T	12	S
	14	10,0	60	22,0	19	27	307	400	T	14	S
	16	12,0	66	24,5	24	30	417	400	T	16	S
	20	16,0	74	26,5	27	36	629	400	T	20	S
	25	20,0	84	30,0	36	46	1191	400	T	25	S
	30	25,0	98	35,5	41	50	1473	400	T	30	S
	38	32,0	114	41,0	50	60	2349	315	T	38	S

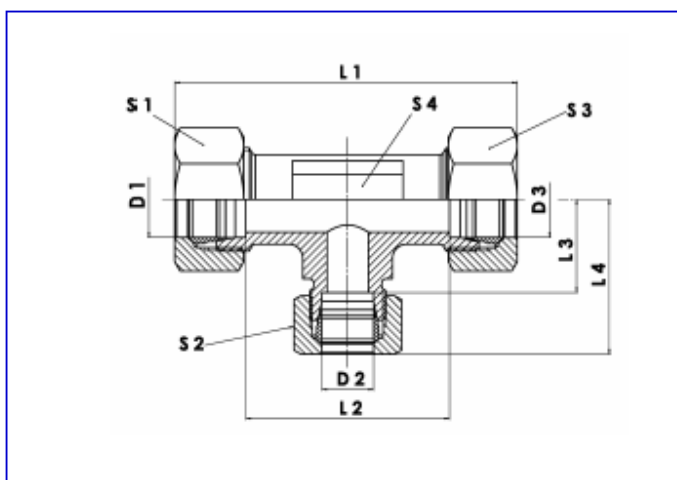
TEE REDUCER—TR



1.5

series	D1	D2	D3	L1	L2	L3	L4	S1	S2	S3	S4	Wt in gm/no.	PN - Bar	ME PART NO.		
L	6	8	6	58	28	14	29	14	17	14	14	95	315	TR	6 / 8 / 6	L
	6	10	6	60	30	15	30	14	19	14	17	98	315	TR	6 / 10 / 6	L
	8	6	8	58	28	14	29	17	14	17	14	99	315	TR	8 / 6 / 8	L
	8	10	8	60	30	15	30	17	19	17	17	106	315	TR	8 / 10 / 8	L
	8	12	8	64	34	17	32	17	22	17	17	130	315	TR	8 / 12 / 8	L
	10	6	10	60	30	15	30	19	14	19	17	100	315	TR	10 / 6 / 10	L
	10	8	10	60	30	15	30	19	17	19	17	102	315	TR	10 / 8 / 10	L
	10	10	6	60	30	15	30	19	19	14	17	103	315	TR	10 / 10 / 6	L
	10	12	10	64	42	17	32	19	22	19	17	131	315	TR	10 / 12 / 10	L
	10	15	10	72	42	21	36	19	27	19	19	162	315	TR	10 / 15 / 10	L
	12	6	8	64	34	17	32	22	14	17	17	117	315	TR	12 / 6 / 8	L
	12	6	12	64	34	17	32	22	14	22	17	135	315	TR	12 / 6 / 12	L
	12	8	8	64	34	17	32	22	14	14	17	129	315	TR	12 / 8 / 8	L
	12	8	12	64	34	17	32	22	17	22	17	142	315	TR	12 / 8 / 12	L
	12	10	10	64	34	17	32	22	19	19	17	138	315	TR	12 / 10 / 10	L
	12	10	12	64	34	17	32	22	19	22	17	145	315	TR	12 / 10 / 12	L
	12	12	8	64	34	17	32	22	22	17	17	134	315	TR	12 / 12 / 8	L
	12	12	10	64	34	17	32	22	22	19	17	142	315	TR	12 / 12 / 10	L
	12	15	12	72	42	21	36	22	27	22	19	189	315	TR	12 / 15 / 12	L
	12	18	12	78	48	24	40	22	32	22	24	302	315	TR	12 / 18 / 12	L
	15	6	15	72	42	21	36	27	14	27	19	193	315	TR	15 / 6 / 15	L
	15	8	15	72	42	21	36	27	17	27	19	203	315	TR	15 / 8 / 15	L
	15	10	15	72	42	21	36	27	19	27	19	212	315	TR	15 / 10 / 15	L
	15	12	12	72	42	21	36	27	22	22	19	224	315	TR	15 / 12 / 12	L
	15	12	15	72	42	21	36	27	22	27	19	210	315	TR	15 / 12 / 15	L
	15	12	22	88	58	27,5	36	27	22	36	27	364	315	TR	15 / 12 / 22	L
	15	15	8	72	42	21	36	27	27	17	19	193	315	TR	15 / 15 / 8	L
	15	15	10	72	42	21	36	27	27	19	19	202	315	TR	15 / 15 / 10	L
	15	15	12	72	42	21	36	27	27	22	19	210	315	TR	15 / 15 / 12	L
	15	18	15	78	48	23,5	40	27	32	27	24	294	315	TR	15 / 18 / 15	L

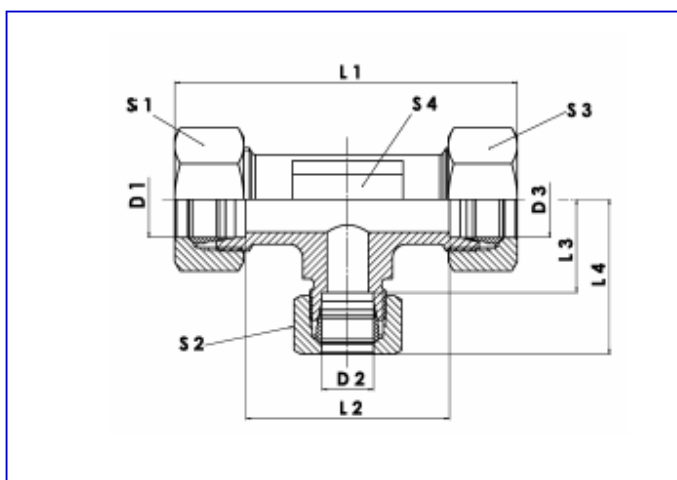
TEE REDUCER—TR



1.6

series	D1	D2	D3	L1	L2	L3	L4	S1	S2	S3	S4	Wt in gm/no.	PN - Bar	ME PART NO.
L	18	8	18	80	47	24	39	32	17	32	24	322	315	TR 18 / 8 / 18 L
	18	10	10	79	47,5	24	39	32	19	19	24	283	315	TR 18 / 10 / 10 L
	18	10	18	80	47	24	39	32	19	32	24	338	315	TR 18 / 10 / 18 L
	18	12	18	80	47	24	39	32	22	32	24	338	315	TR 18 / 12 / 18 L
	18	12	12	80	48	24	39	32	22	22	24	285	315	TR 18 / 12 / 12 L
	18	12	22	88	56	28	43	32	22	36	27	395	315	TR 18 / 12 / 22 L
	18	15	15	87	48	24	39	32	27	27	24	321	315	TR 18 / 15 / 15 L
	18	15	18	80	47	24	39	32	27	32	24	361	315	TR 18 / 15 / 18 L
	18	18	10	79	47,5	23,5	40	32	32	19	24	327	315	TR 18 / 18 / 10 L
	18	18	12	80	48	24	40	32	32	22	24	344	315	TR 18 / 18 / 12 L
	18	22	18	80	47	27,5	44	32	36	32	27	460	315	TR 18 / 22 / 18 L
	22	8	22	88	56	28	43	36	17	36	27	416	160	TR 22 / 8 / 22 L
	22	10	22	88	56	28	43	36	19	36	27	432	160	TR 22 / 10 / 22 L
	22	12	22	88	56	28	43	36	22	36	27	447	160	TR 22 / 12 / 22 L
	22	15	15	87	55,5	28	43	36	27	27	27	422	160	TR 22 / 15 / 15 L
	22	15	22	88	55	28	43	36	27	36	27	458	160	TR 22 / 15 / 22 L
	22	18	18	88	55	27,5	44	36	32	32	27	460	160	TR 22 / 18 / 18 L
	22	18	22	88	55	27,5	44	36	32	36	27	485	160	TR 22 / 18 / 22 L
	22	22	10	87	55	27,5	44	36	36	19	27	430	160	TR 22 / 22 / 10 L
	22	22	12	87	55	27,5	44	36	36	22	27	447	160	TR 22 / 22 / 12 L
	22	22	18	88	55	27,5	44	36	36	32	27	474	160	TR 22 / 22 / 18 L
	22	28	22	92	61	30,5	47	36	41	36	36	689	160	TR 22 / 28 / 22 L

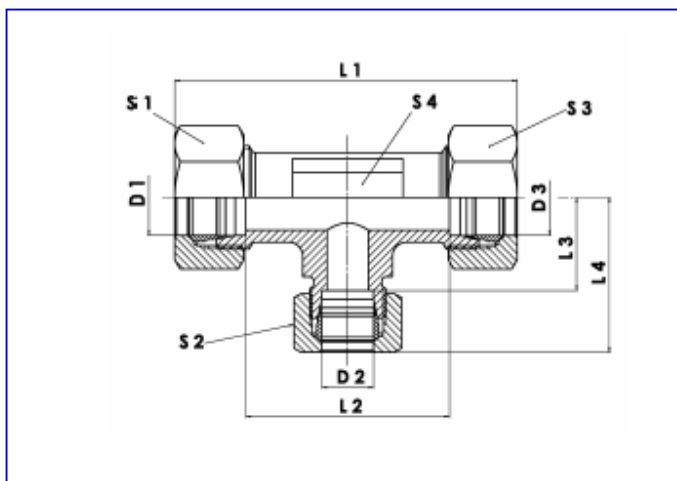
TEE REDUCER—TR



1.7

series	D1	D2	D3	L1	L2	L3	L4	S1	S2	S3	S4	Wt in gm/no.	PN - Bar	ME PART NO.						
L	28	10	28	94	61	31	46	41	19	41	36	630	160	TR	28	/	10	/	28	L
	28	12	28	94	61	31	46	41	22	41	36	633	160	TR	28	/	12	/	28	L
	28	15	28	94	61	31	46	41	27	41	36	666	160	TR	28	/	15	/	28	L
	28	18	18	94	61	30,5	47	41	32	32	36	669	160	TR	28	/	18	/	18	L
	28	18	28	94	61	30,5	47	41	32	41	36	685	160	TR	28	/	18	/	28	L
	28	22	22	94	61	30,5	47	41	36	36	36	689	160	TR	28	/	22	/	22	L
	28	22	28	94	61	30,5	47	41	36	41	36	701	160	TR	28	/	22	/	28	L
	28	28	18	94	61	30,5	47,5	41	41	32	36	-	160	TR	28	/	28	/	18	L
	28	28	22	94	61	30,5	47,5	41	41	36	36	-	160	TR	28	/	28	/	22	L
	28	35	28	94	61	-	-	41	50	41	41	-	160	TR	28	/	35	/	28	L
	35	10	35	112	34,5	38	53	50	19	50	41	-	160	TR	35	/	10	/	35	L
	35	12	35	112	34,5	38	53	50	22	50	41	-	160	TR	35	/	12	/	35	L
	35	15	35	112	34,5	-	-	50	27	50	41	-	160	TR	35	/	15	/	35	L
	35	18	35	112	34,5	37,5	53,5	50	32	50	41	-	160	TR	35	/	18	/	35	L
	35	22	35	112	34,5	37,5	53,5	50	36	50	41	-	160	TR	35	/	22	/	35	L
	35	22	28	112	34,5	37,5	53,5	50	36	41	41	-	160	TR	35	/	22	/	28	L
	35	28	35	112	34,5	37,5	54,5	50	41	50	41	-	160	TR	35	/	28	/	35	L
	35	35	15	112	34,5	-	-	50	50	27	41	-	160	TR	35	/	35	/	15	L
	35	42	35	112	34,5	40	-	50	60	50	50	-	160	TR	35	/	42	/	35	L
	42	12	42	126	80	44	59	60	22	60	50	-	160	TR	42	/	12	/	42	L
	42	15	42	126	80	-	-	60	27	60	50	-	160	TR	42	/	15	/	42	L
	42	18	42	126	80	43,5	60	60	32	60	50	-	160	TR	42	/	18	/	42	L
	42	22	42	126	80	43,5	60	60	36	60	50	-	160	TR	42	/	22	/	42	L
	42	28	42	126	80	43,5	60,5	60	41	60	50	-	160	TR	42	/	28	/	42	L
42	35	42	126	80	-	-	60	50	60	50	-	160	TR	42	/	35	/	42	L	

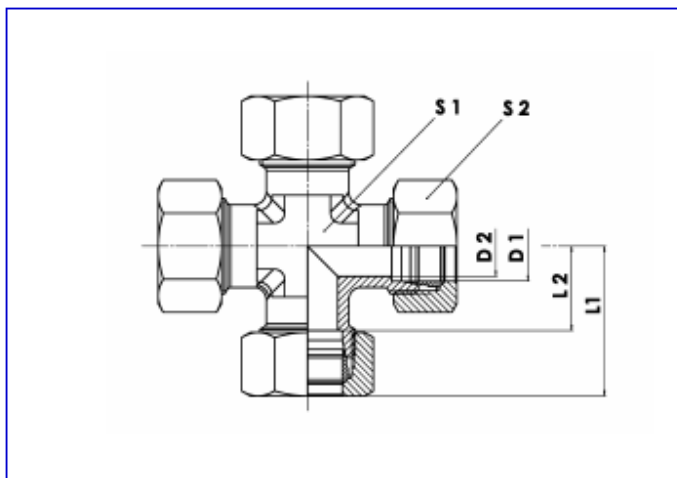
TEE REDUCER—TR



1.8

series	D1	D2	D3	L1	L2	L3	L4	S1	S2	S3	S4	Wt in gm/no.	PN - Bar	ME PART NO.							
S	8	6	8	64	34	-	-	19	17	19	14	-	630	TR	8	/	6	/	8	S	
	10	6	10	68	35	18	33	22	17	22	17	189	630	TR	10	/	6	/	10	S	
	10	8	10	68	35	-	-	22	19	22	17	-	630	TR	10	/	8	/	10	S	
	12	6	12	76	43	22	37	24	17	24	17	-	630	TR	12	/	6	/	12	S	
	12	8	8	76	43	22	37	24	19	19	17	191	630	TR	12	/	8	/	8	S	
	12	8	12	76	43	22	37	24	19	24	17	203	630	TR	12	/	8	/	12	S	
	12	10	12	76	43	21,5	38	24	22	24	17	223	630	TR	12	/	10	/	12	S	
	12	16	12	76	43	24,5	43	24	30	24	24	337	630	TR	12	/	16	/	12	S	
	14	8	14	80	44	-	-	-	27	19	27	19	-	630	TR	14	/	8	/	14	S
	14	10	14	80	44	22,5	39	27	22	27	19	-	-	630	TR	14	/	10	/	14	S
	16	6	16	86	49	26	41	30	17	30	24	337	400	TR	16	/	6	/	16	S	
	16	8	16	86	49	26	41	30	19	30	24	374	400	TR	16	/	8	/	16	S	
	16	10	16	86	49	25,5	42	30	22	30	24	387	400	TR	16	/	10	/	16	S	
	16	12	16	86	49	25,5	42	30	24	30	24	567	400	TR	16	/	12	/	16	S	
	16	14	16	86	49	-	-	-	30	27	30	24	-	400	TR	16	/	14	/	16	S
	16	20	16	86	49	26,5	48	30	36	30	27	553	400	TR	16	/	20	/	16	S	
	20	8	20	96	53	-	-	-	36	19	36	27	-	400	TR	20	/	8	/	20	S
	20	10	20	96	53	29,5	46	36	22	36	27	814	400	TR	20	/	10	/	20	S	
	20	12	20	96	53	29,5	46	36	24	36	27	570	400	TR	20	/	12	/	20	S	
	20	14	20	96	53	28	46	36	27	36	27	-	-	400	TR	20	/	14	/	20	S
	20	16	20	96	53	28,5	47	36	30	36	27	583	400	TR	20	/	16	/	20	S	
	20	25	20	96	53	30	54	36	46	36	36	984	400	TR	20	/	25	/	20	S	
	25	10	25	108	60	-	-	-	46	22	46	36	-	400	TR	25	/	10	/	25	S
	25	12	25	108	60	34,5	50,5	46	24	46	36	-	-	400	TR	25	/	12	/	25	S
	25	14	25	108	60	-	-	-	46	27	46	36	-	400	TR	25	/	14	/	25	S
	25	16	25	108	60	33,5	52	46	30	46	36	1058	400	TR	25	/	16	/	25	S	
	25	20	25	108	60	31,5	53	46	36	46	36	1088	400	TR	25	/	20	/	25	S	
	25	30	25	108	60	35,5	62	46	50	46	41	1460	400	TR	25	/	30	/	25	S	
	30	12	30	124	71	41,5	57,5	50	24	50	41	-	-	400	TR	30	/	12	/	30	S
	30	16	30	124	71	40,5	59	50	30	50	41	-	-	400	TR	30	/	16	/	30	S
	30	20	30	124	71	38,5	60	50	36	50	41	-	-	400	TR	30	/	20	/	30	S
	30	25	30	124	71	37	61	50	46	50	41	-	-	400	TR	30	/	25	/	30	S
30	38	30	124	71	41	-	50	60	50	50	-	-	400	TR	30	/	38	/	30	S	
38	16	38	144	82	48,5	66,5	60	30	60	50	-	-	315	TR	38	/	16	/	38	S	
38	20	38	144	82	46,5	68	60	36	60	50	-	-	315	TR	38	/	20	/	38	S	
38	25	38	144	82	45	69	60	46	60	50	-	-	315	TR	38	/	25	/	38	S	
38	30	38	144	82	-	-	60	50	60	50	-	-	315	TR	38	/	30	/	38	S	

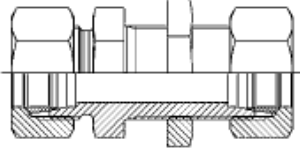
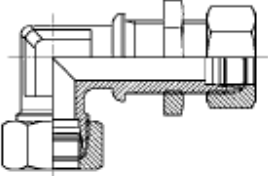

TUBE FITTINGS—SINGLE FERRULE DIN2353—K



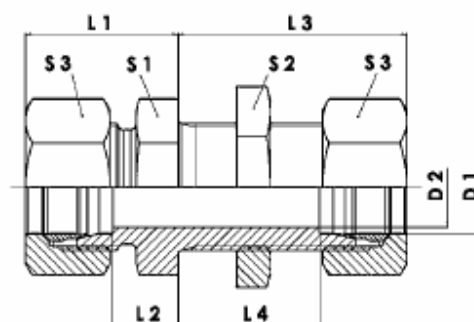
1.9

series	D1	D2	L1	L2	S1	S2	Wt gm/no.	PN Bar	ME PART NO.
LL	4	3,0	21	11,0	9	10	30	100	K 4 LL
	6	4,5	21	9,5	9	12	41	100	K 6 LL
	8	6,0	23	11,0	12	14	56	100	K 8 LL
L	6	4,0	27	12,0	12	14	82	315	K 6 L
	8	6,0	29	14,0	12	17	109	315	K 8 L
	10	8,0	30	15,0	14	19	136	315	K 10 L
	12	10,0	32	17,0	17	22	183	315	K 12 L
	15	12,0	36	21,0	19	27	316	315	K 15 L
	18	15,0	40	23,5	24	32	458	315	K 18 L
	22	19,0	44	27,5	27	36	608	160	K 22 L
	28	24,0	47	30,5	36	41	786	160	K 28 L
	35	30,0	56	34,5	41	50	1246	160	K 35 L
42	36,0	63	40,0	50	60	1861	160	K 42 L	
S	6	4,0	31	16,0	12	17	133	630	K 6 S
	8	5,0	32	17,0	14	19	175	630	K 8 S
	10	7,0	34	17,5	17	22	233	630	K 10 S
	12	8,0	38	21,5	17	24	296	630	K 12 S
	14	10,0	40	22,0	19	27	404	400	K 14 S
	16	12,0	43	24,5	24	30	506	400	K 16 S
	20	16,0	48	26,5	27	36	793	400	K 20 S
	25	20,0	54	30,0	36	46	1437	400	K 25 S
	30	25,0	62	35,5	41	50	1796	400	K 30 S
	38	32,0	72	41,0	50	60	2796	315	K 38 S

TUBE FITTINGS—SINGLE FERRULE DIN2353—BULK HEAD UNION

ME PART NO.	BHD UNION VISUAL INDEX	PAGE NO.
<p>SV ST. BULK HEAD</p>		<p>2.1</p>
<p>WSV ELBOW BULK HEAD</p>		<p>2.2</p>
<p>ESV WELDING BHD UNION</p>		<p>2.3</p>

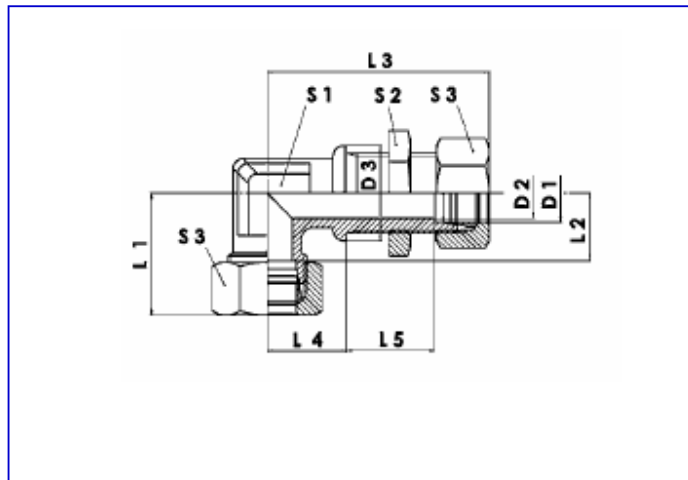
BULK HEAD UNION –SV



2.1

Series	D1	D2	L1	L2	L3	L4	S1	S2	S3	Wt gm/no.	PN Bar	ME PART NO.
L	6	4	22	7,0	42	27,0	17	17	14	62	315	SV 06 L
	8	6	23	8,0	42	27,0	19	19	17	84	315	SV 08 L
	10	8	25	10,0	43	28,0	22	22	19	109	315	SV 10 L
	12	10	25	10,0	44	29,0	24	24	22	135	315	SV 12 L
	15	12	27	12,0	46	31,0	27	30	27	221	315	SV 15 L
	18	15	30	13,5	49	32,5	32	36	32	333	315	SV 18 L
	22	19	33	16,5	51	34,5	36	41	36	433	160	SV 22 L
	28	24	35	18,5	52	35,5	41	46	41	532	160	SV 28 L
	35	30	37	18,5	58	36,5	50	55	50	860	160	SV 35 L
	42	36	42	19,0	59	36,0	60	65	60	1236	160	SV 42 L
S	6	4	27	12,0	44	29,0	19	19	17	102	630	SV 06 S
	8	5	28	13,0	44	29,0	22	22	19	133	630	SV 08 S
	10	7	31	14,5	46	29,5	24	24	22	180	630	SV 10 S
	12	8	31	14,5	47	30,5	27	27	24	216	630	SV 12 S
	14	10	35	17,0	50	32,0	30	30	27	294	630	SV 14 S
	16	12	35	16,5	50	31,5	32	32	30	344	400	SV 16 S
	20	16	39	17,5	55	33,5	41	41	36	689	400	SV 20 S
	25	20	44	20,0	59	35,0	46	46	46	923	400	SV 25 S
	30	25	48	21,5	64	37,5	50	50	50	1108	400	SV 30 S
	38	32	53	22,0	68	37,0	65	65	60	1806	315	SV 38 S

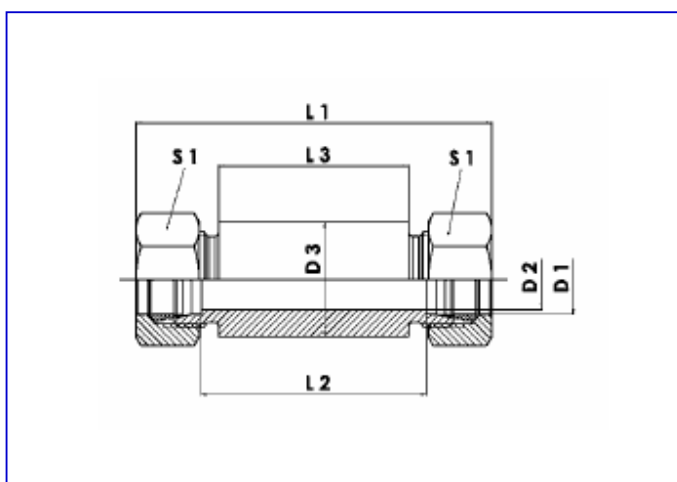
BULK HEAD ELBOW – WSV



2.2

series	D1	D2	D3	L1	L2	L3	L4	L5	S1	S2	S3	Wt gm/no.	PN Bar	ME Part No.
L	6	4	17	27	12	42	14	27	12	17	14	74	315	WSV 6 L
	8	6	19	29	14	42	17	27	12	19	17	95	315	WSV 8 L
	10	8	22	30	15	43	18	28	14	22	19	120	315	WSV 10 L
	12	10	24	32	17	44	20	29	17	24	22	142	315	WSV 12 L
	15	12	27	36	21	46	23	31	19	30	27	243	315	WSV 15 L
	18	15	32	40	23,5	49	24	32,5	24	36	32	373	315	WSV 18 L
	22	19	36	44	27,5	51	30	34,5	27	41	36	506	160	WSV 22 L
	28	24	42	47	30,5	52	34	35,5	36	46	41	679	160	WSV 28 L
	35	30	50	56	34,5	58	39	36,5	41	55	50	1043	160	WSV 35 L
	42	36	60	63	40	59	43	36	50	65	60	1569	160	WSV 42 L
S	6	4	19	31	16	44	17	29	12	19	17	109	630	WSV 6 S
	8	5	22	32	17	44	18	29	14	22	19	145	630	WSV 8 S
	10	7	24	34	17,5	46	20	29,5	17	24	22	196	630	WSV 10 S
	12	8	27	38	21,5	47	21	30,5	17	27	24	243	630	WSV 12 S
	14	10	27	40	22	50	23	32	19	30	27	308	630	WSV 14 S
	16	12	30	43	24,5	50	24	31,5	24	32	30	392	400	WSV 16 S
	20	16	36	48	26,5	55	30	33,5	27	41	36	617	400	WSV 20 S
	25	20	42	54	30	59	34	35	36	46	46	1049	400	WSV 25 S
	30	25	50	62	35,5	64	39	37,5	41	50	50	1366	400	WSV 30 S
	38	32	60	72	41	68	43	37	50	65	60	2060	315	WSV 38 S

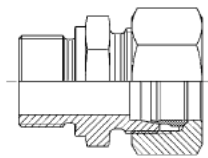
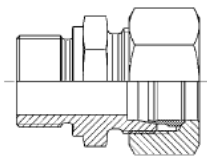
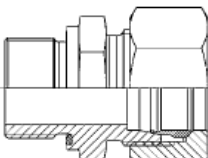
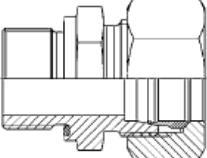
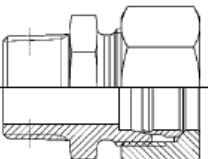
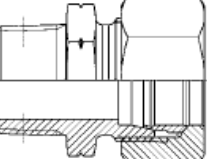
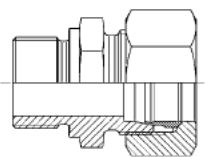
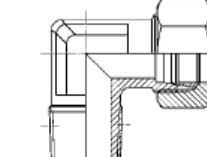
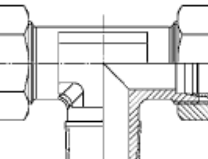
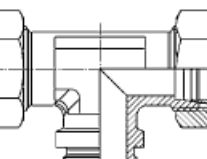
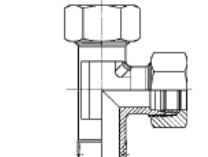
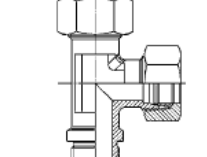
WELDING BULK HEAD UNION—ESV



2.3

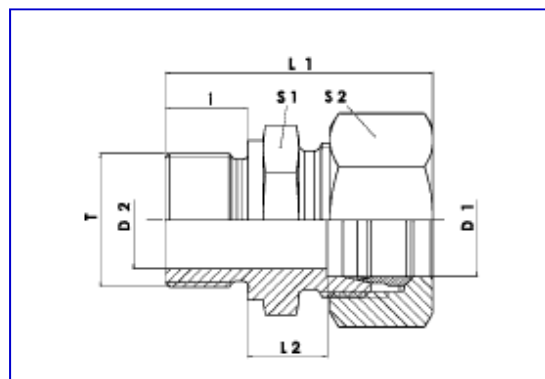
series	D1	D2	D3	L1	L2	L3	S1	Wt gm/no.	PN Bar	ME Part No.
L	6	4	18	85	56	50	14	132	250	ESV 06 L
	8	6	20	85	56	50	17	153	250	ESV 08 L
	10	8	22	87	58	50	19	182	250	ESV 10 L
	12	10	25	87	58	50	22	231	250	ESV 12 L
	15	12	28	100	70	60	27	350	250	ESV 15 L
	18	15	32	101	69	60	32	460	160	ESV 18 L
	22	19	36	105	73	60	36	566	160	ESV 22 L
	28	24	40	106	73	60	41	606	100	ESV 28 L
	35	30	50	114	71	60	50	1022	100	ESV 35 L
42	36	60	115	70	60	60	1473	100	ESV 42 L	
S	6	4	20	89	60	50	17	171	630	ESV 06 S
	8	5	22	89	60	50	19	206	630	ESV 08 S
	10	7	25	91	59	50	22	265	630	ESV 10 S
	12	8	28	91	59	50	24	322	630	ESV 12 S
	14	10	30	107	72	60	27	445	630	ESV 14 S
	16	12	36	107	71	60	30	580	400	ESV 16 S
	20	16	38	114	71	60	36	729	400	ESV 20 S
	25	20	45	120	72	60	46	1154	400	ESV 25 S
	30	25	50	126	73	60	50	1354	250	ESV 30 S
	38	32	60	133	72	60	60	1930	250	ESV 38 S

TUBE FITTINGS—SINGLE FERRULE DIN2353—MALE STUD

ME PART NO.—PAGE NO.		ME PART NO.—PAGE NO.	
GE-R 3.1		GE-M 3.5	
GE-R-ED ELASTOMERIC SEAL 3.7		GE-M -ED ELASTOMERIC SEAL 3.11	
GE-R–Keg 3.13		GE-NPT 3.16	
GE—UNF 3.20		WE-R–Keg 3.21	
TE-R-Keg 3.22		TE-R-BSP 3.23	
LE-R-Keg 3.24		LE-R-BSP 3.25	

MALE CONNECTOR—GE-R BSP

MALE STUD COUPLINGS
L-SERIES
THREAD: BSP - PARALLEL
SEALING BY SEALING SHOULDER
FORM B

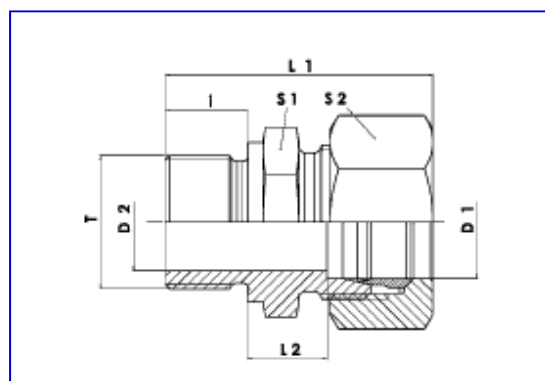


series	D1	T	D2	L1	L2	I	S1	S2	WT gm/no.	PN Bar	ME Part No.
LL	4	G 1/8 "	3	27	9,5	8	14	10	16	100	GE 4 LL R 1/8
	6	G 1/8 "	4	28	8	8	14	12	20	100	GE 6 LL R 1/8
	6	G 1/4 "	5	36	9,5	12	19	12	48	100	GE 6 LL R 1/4
	8	G 1/8 "	4	31	9	8	14	14	25	100	GE 8 LL R 1/8
	8	G 1/4 "	6	39	9	12	19	14	32	100	GE 8 LL R 1/4
L	6	G 1/8 "	4	31	8,5	8	14	14	28	315	GE 6 L R 1/8
	6	G 1/4 "	4	37	10	12	19	14	59	315	GE 6 L R 1/4
	6	G 3/8 "	4	38	11,5	12	22	14	65	315	GE 6 L R 3/8
	6	G 1/2 "	4	41	12	14	27	14	75	315	GE 6 L R 1/2
	8	G 1/8 "	4	31	9,5	8	14	17	36	315	GE 8 L R 1/8
	8	G 1/4 "	6	37	10	12	19	17	46	315	GE 8 L R 1/4
	8	G 3/8 "	6	38	10	12	22	17	64	315	GE 8 L R 3/8
	8	G 1/2 "	6	41	12	14	27	17	94	315	GE 8 L R 1/2
	8	G 3/4 "	6	47	13	18	32	17	113	315	GE 8 L R 3/4
	10	G 1/8 "	4	33	10,5	8	17	19	45	315	GE 10 L R 1/8
	10	G 1/4 "	6	38	11	12	19	19	55	315	GE 10 L R 1/4
	10	G 3/8 "	8	39	12,5	12	22	19	68	315	GE 10 L R 3/8
	10	G 1/2 "	8	42	13	14	27	19	96	315	GE 10 L R 1/2
	10	G 3/4 "	8	45,5	14,5	16	32	19	118	315	GE 10 L R 3/4
	12	G 1/8 "	4	34	12,5	8	19	22	58	315	GE 12 L R 1/8
	12	G 1/4 "	6	39	12	12	19	22	63	315	GE 12 L R 1/4
	12	G 3/8 "	9	39	12,5	12	22	22	74	315	GE 12 L R 3/8
12	G 1/2 "	10	42	13	14	27	22	99	315	GE 12 L R 1/2	
12	G 3/4 "	10	45	14	16	32	22	151	315	GE 12 L R 3/4	

3.1

MALE CONNECTOR—GE-R BSP

MALE STUD COUPLINGS
L-SERIES
THREAD: BSP - PARALLEL
SEALING BY SEALING SHOULDER
FORM B

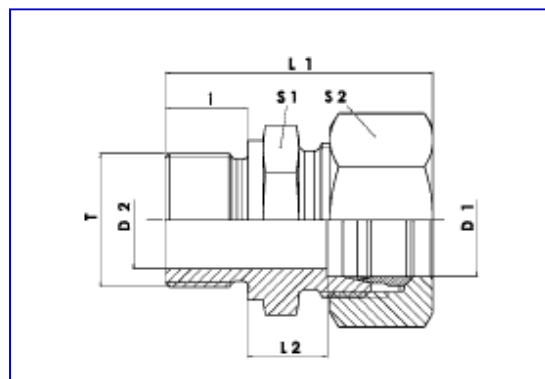


series	D1	T	D2	L1	L2	I	S1	S2	WT gm/no.	PN Bar	ME Part No.
L	15	G 1/8 "	4	40	14	8	24	27	86	250	GE 15 L R 1/8
	15	G 1/4 "	6	44	14	12	24	27	91	250	GE 15 L R 1/4
	15	G 3/8 "	9	43	13,5	12	24	27	105	250	GE 15 L R 3/8
	15	G 1/2 "	11	43	14	14	27	27	121	250	GE 15 L R 1/2
	15	G 3/4 "	12	48,5	16	16	32	27	167	250	GE 15 L R 3/4
	15	G 1 "	12	50,5	16	18	41	27	204	250	GE 15 L R 1
	18	G 1/8 "	4	37,5	14,5	8	27	32	115	250	GE 18 L R 1/8
	18	G 1/4 "	6	41,5	14,5	12	27	32	125	250	GE 18 L R 1/4
	18	G 3/8 "	9	41,5	14,5	12	27	32	140	250	GE 18 L R 3/8
	18	G 1/2 "	14	45	14,5	14	27	32	143	250	GE 18 L R 1/2
	18	G 3/4 "	15	46	14,5	16	32	32	184	250	GE 18 L R 3/4
	18	G 1 "	15	57	14,5	18	41	32	225	250	GE 18 L R 1
	22	G 3/8 "	9	45	16,5	12	32	36	179	160	GE 22L R 3/8
	22	G 1/2 "	14	47	16,5	14	32	36	184	160	GE 22L R 1/2
	22	G 3/4 "	18	49	16,5	16	32	36	197	160	GE 22 L R 3/4
	22	G 1 "	19	51,5	17,5	18	41	36	276	160	GE 22 L R 1
	22	G 1.1/4 "	19	53,5	17,5	20	50	36	388	160	GE 22 L R 1.1/4
	28	G 1/2 "	14	48	17,5	14	41	41	243	160	GE 28 L R 1/2
	28	G 3/4 "	18	50	17,5	16	41	41	258	160	GE 28 L R 3/4
	28	G 1 "	23	53	17,5	18	41	41	270	160	GE 28 L R 1
	28	G 1.1/4 "	24	55	17,5	20	50	41	417	160	GE 28 L R 1.1/4
	28	G 1.1/2 "	24	60	20,5	22	55	41	443	160	GE 28 L R 1.1/2
	35	G 1/2 "	14	53	17,5	14	46	50	354	160	GE 35 L R 1/2
	35	G 3/4 "	18	55	17,5	16	46	50	363	160	GE 35 L R 3/4
	35	G 1 "	23	57	17,5	18	46	50	395	160	GE 35 L R 1
	35	G 1.1/4 "	30	59	17,5	20	50	50	437	160	GE 35 L R 1.1/4
	35	G 1.1/2 "	30	63	19,5	22	55	50	518	160	GE 35 L R 1.1/2
	42	G 1 "	23	60	19	18	55	60	570	160	GE 42 L R 1
	42	G 1.1/4 "	30	62	19	20	55	60	580	160	GE 42 L R 1.1/4
	42	G 1.1/2 "	36	69	19	22	55	60	592	160	GE 42 L R 1.1/2

3.2

MALE CONNECTOR—GE-R BSP

MALE STUD COUPLINGS
S-SERIES
THREAD: BSP - PARALLEL
SEALING BY SEALING SHOULDER
FORM B

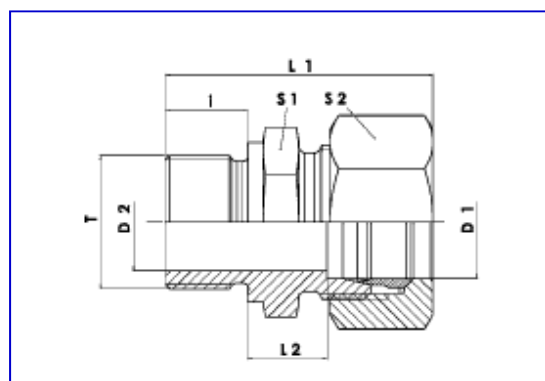


3.3

series	D1	T	D2	L1	L2	I	S1	S2	WT gm/no.	PN Bar	ME Part No.				
S	6	G 1/8 "	3	35	12,5	8	17	17	43	630	GE	6	S	R	1/8
	6	G 1/4 "	4	40	13	12	19	17	55	630	GE	6	S	R	1/4
	6	G 3/8 "	4	42	15,5	12	22	17	78	630	GE	6	S	R	3/8
	6	G 1/2 "	4	47	18	14	27	17	105	630	GE	6	S	R	1/2
	6	G 3/4 "	4	51	20	16	32	17	140	630	GE	6	S	R	3/4
	8	G 1/4 "	5	42	15	12	19	19	65	630	GE	8	S	R	1/4
	8	G 3/8 "	5	42	15,5	12	22	19	85	630	GE	8	S	R	3/8
	8	G 1/2 "	5	47	18	14	27	19	125	630	GE	8	S	R	1/2
	10	G 1/8 "	3	39	14	8	19	22	80	630	GE	10	S	R	1/8
	10	G 1/4 "	5	43	14,5	12	19	22	80	630	GE	10	S	R	1/4
	10	G 3/8 "	7	43	15	12	22	22	90	630	GE	10	S	R	3/8
	10	G 1/2 "	7	48	17,5	14	27	22	135	630	GE	10	S	R	1/2
	10	G 3/4 "	7	51	17,5	16	32	22	170	630	GE	10	S	R	3/4
	12	G 1/4 "	5	45	16,5	12	22	24	100	630	GE	12	S	R	1/4
	12	G 3/8 "	8	45	17	12	22	24	105	630	GE	12	S	R	3/8
	12	G 1/2 "	8	48	17,5	14	27	24	100	630	GE	12	S	R	1/2
	12	G 3/4 "	8	51	17,5	16	32	24	172	630	GE	12	S	R	3/4
	14	G 1/4 "	5	47	16	12	22	27	120	630	GE	14	S	R	1/4
	14	G 3/8 "	8	48	18,5	12	22	27	135	630	GE	14	S	R	3/8
	14	G 1/2 "	10	51	19	14	27	27	155	630	GE	14	S	R	1/2
14	G 3/4 "	10	56	21	16	32	27	200	630	GE	14	S	R	3/4	
14	G 1 "	10	60	23	18	41	27	310	630	GE	14	S	R	1	

MALE CONNECTOR—GE-R BSP

MALE STUD COUPLINGS
S-SERIES
THREAD: BSP - PARALLEL
SEALING BY SEALING SHOULDER
FORM B

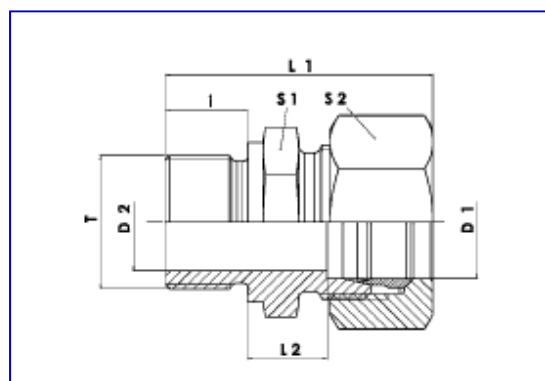


Series	D1	T	D2	L1	L2	I	S1	S2	WT gm/no.	PN Bar	ME Part No.				
S	16	G 1/4 "	5	46	18	12	24	30	135	400	GE	16	S	R	1/4
	16	G 3/8 "	8	50	18	14	27	30	160	400	GE	16	S	R	3/8
	16	G 1/2 "	12	53	18,5	16	27	30	167	400	GE	16	S	R	1/2
	16	G 3/4 "	12	57	20,5	18	32	30	233	400	GE	16	S	R	3/4
	20	G 1/4 "	5	52	20,5	12	32	36	250	400	GE	20	S	R	1/4
	20	G 3/8 "	8	52	20,5	12	32	36	255	400	GE	20	S	R	3/8
	20	G 1/2 "	12	56	20,5	14	32	36	260	400	GE	20	S	R	1/2
	20	G 3/4 "	16	58	20,5	16	32	36	265	400	GE	20	S	R	3/4
	20	G 1 "	16	62	22,5	18	41	36	370	400	GE	20	S	R	1
	20	G 1.1/4 "	16	68	22,5	20	50	36	500	400	GE	20	S	R	1.1/4
	20	G 1.1/2 "	16	72	25,5	22	55	36	615	400	GE	20	S	R	1.1/2
	25	G 1/2 "	12	56	23	14	41	46	450	400	GE	25	S	R	1/2
	25	G 3/4 "	16	60	23	16	41	46	460	400	GE	25	S	R	3/4
	25	G 1 "	20	64	23	18	41	46	480	400	GE	25	S	R	1
	25	G 1.1/4 "	20	68	23	20	50	46	640	400	GE	25	S	R	1.1/4
	25	G 1.1/2 "	20	72	26	22	55	46	720	400	GE	25	S	R	1.1/2
	30	G 1/2 "	12	60	23,5	14	46	50	560	400	GE	30	S	R	1/2
	30	G 1 "	20	68	23,5	18	46	50	580	400	GE	30	S	R	1
	30	G 1.1/4 "	25	70	23,5	20	50	50	660	400	GE	30	S	R	1.1/4
	30	G 1.1/2 "	25	74	26,5	22	55	50	790	400	GE	30	S	R	1.1/2
38	G 3/4 "	16	69	26	16	55	60	915	315	GE	38	S	R	3/4	
38	G 1 "	20	73	26	18	55	60	940	315	GE	38	S	R	1	
38	G 1.1/4 "	25	77	26	20	55	60	950	315	GE	38	S	R	1.1/4	
38	G 1.1/2 "	32	79	26	22	55	60	960	315	GE	38	S	R	1.1/2	

3.4

MALE CONNECTOR—GE-M METRIC

MALE STUD COUPLINGS
L-SERIES
THREAD: METRIC
SEALING BY SEALING SHOULDER
FORM B

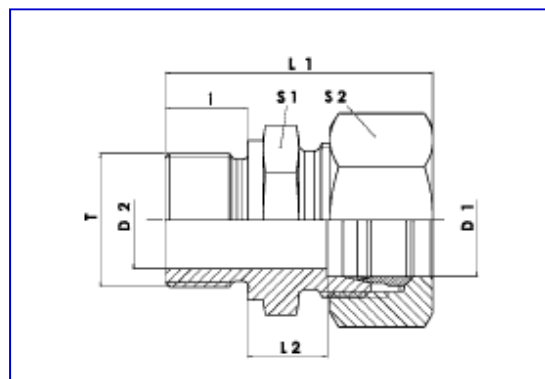


Series	D1	T	D2	L1	L2	I	S1	S2	WT gm/no.	PN Bar	ME Part No.
L	6	M 10 x 1	4	31	8,5	8	14	14	42	315	GE 6 LM 10 x 1
	6	M 12 x 1,5	4	39	10	12	17	14	45	315	GE 6 LM 12 x 1,5
	6	M 14 x 1,5	4	39	10	12	19	14	52	315	GE 6 LM 14 x 1,5
	8	M 10 x 1	4	34	9,5	8	17	17	52	315	GE 8 LM 10 x 1
	8	M 12 x 1,5	6	37	10	12	17	17	65	315	GE 8 LM 12 x 1,5
	8	M 14 x 1,5	6	39	10	12	19	17	72	315	GE 8 LM 14 x 1,5
	8	M 16 x 1,5	6	39,5	11,5	12	22	17	77	315	GE 8 LM 16 x 1,5
	8	M 18 x 1,5	6	39,5	11,5	12	24	17	87	315	GE 8 LM 18 x 1,5
	10	M 10 x 1	4	35,5	11	8	17	19	46	315	GE 10 LM 10 x 1
	10	M 12 x 1,5	6	40,5	11,5	12	17	19	51	315	GE 10 LM 12 x 1,5
	10	M 14 x 1,5	7	38	11	12	19	19	51	315	GE 10 LM 14 x 1,5
	10	M 16 x 1,5	8	42	12,5	12	22	19	61	315	GE 10 LM 16 x 1,5
	10	M 18 x 1,5	8	42	12,5	12	24	19	71	315	GE 10 LM 18 x 1,5
	10	M 22 x 1,5	8	45	14	14	27	19	101	315	GE 10 LM 22 x 1,5
	12	M 12 x 1,5	6	40	13	12	19	22	59	315	GE 12 LM 12 x 1,5
	12	M 14 x 1,5	7	40	12,5	12	19	22	64	315	GE 12 LM 14 x 1,5
	12	M 16 x 1,5	9	39	12,5	12	22	22	69	315	GE 12 LM 16 x 1,5
	12	M 18 x 1,5	10	42	12,5	12	24	22	79	315	GE 12 LM 18 x 1,5
	12	M 22 x 1,5	10	45,5	14	14	27	22	109	315	GE 12 LM 22 x 1,5
	15	M 16 x 1,5	9	44	13,5	12	24	27	97	315	GE 15 LM 16 x 1,5
	15	M 18 x 1,5	11	41	13,5	12	24	27	105	315	GE 15 LM 18 x 1,5
	15	M 22 x 1,5	12	47	15	14	27	27	146	315	GE 15 LM 22 x 1,5
	18	M 18 x 1,5	11	45	14	12	27	32	143	315	GE 18 LM 18 x 1,5
	18	M 22 x 1,5	14	45	14,5	14	27	32	168	315	GE 18 LM 22 x 1,5
	18	M 26 x 1,5	15	48	14,5	16	32	32	189	315	GE 18 LM 26 x 1,5
	22	M 22 x 1,5	14	41	17,5	14	32	36	197	160	GE 22 LM 22 x 1,5
	22	M 26 x 1,5	18	49	16,5	16	32	36	204	160	GE 22 LM 26 x 1,5
	28	M 33 x 2	23	52	17,5	18	41	41	286	160	GE 28 LM 33 x 2
	35	M 42 x 2	30	59	17,5	20	50	50	470	160	GE 35 LM 42 x 2
	42	M 48 x 2	36	64	19	22	55	60	637	160	GE 42 LM 48 x 2

3.5

MALE CONNECTOR—GE-M METRIC

MALE STUD COUPLINGS
S-SERIES
THREAD: METRIC
SEALING BY SEALING SHOULDER
FORM B

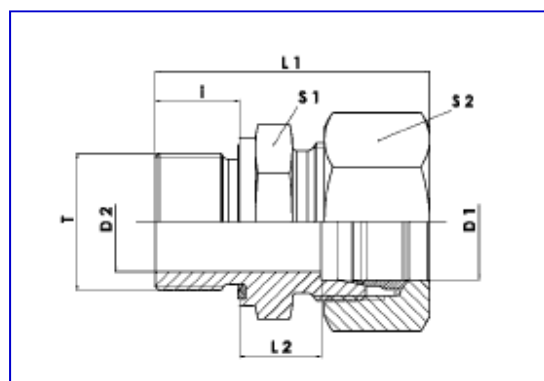


3.6

Series	D1	T	D2	L1	L2	I	S1	S2	WT gm/no.	PN Bar	ME Part No.				
S	6	M 12 x 1,5	4	40	13	12	17	17	52	630	GE 6 SM 12 x 1,5				
	6	M 14 x 1,5	4	42	15	12	19	17	59	630	GE 6 SM 14 x 1,5				
	8	M 12 x 1,5	4	37	10	12	17	17	66	630	GE 8 SM 12 x 1,5				
	8	M 14 x 1,5	5	42	15	12	19	19	68	630	GE 8 SM 14 x 1,5				
	8	M 16 x 1,5	5	44	15	12	22	19	71	630	GE 8 SM 16 x 1,5				
	10	M 14 x 1,5	5	44	15	12	19	22	86	630	GE 10 SM 14 x 1,5				
	10	M 16 x 1,5	7	43	15	12	22	22	88	630	GE 10 SM 16 x 1,5				
	10	M 18 x 1,5	7	48	17	12	24	22	114	630	GE 10 SM 18 x 1,5				
	10	M 22 x 1,5	7	48	15,5	14	27	22	137	630	GE 10 SM 22 x 1,5				
	12	M 12 x 1,5	4	48	16,5	12	22	24	101	630	GE 12 SM 12 x 1,5				
	12	M 14 x 1,5	5	45	16,5	12	22	24	98	630	GE 12 SM 14 x 1,5				
	12	M 16 x 1,5	7	48	16,5	12	22	24	106	630	GE 12 SM 16 x 1,5				
	12	M 18 x 1,5	8	45	17	12	24	24	110	630	GE 12 SM 18 x 1,5				
	12	M 22 x 1,5	8	48	17,5	14	27	24	141	630	GE 12 SM 22 x 1,5				
	14	M 20 x 1,5	10	51	19	14	27	27	152	630	GE 14 SM 20 x 1,5				
	14	M 27 x 2	10	55	19	16	32	27	224	630	GE 14 SM 27 x 2				
	16	M 12 x 1,5	4	51	18	12	27	30	164	400	GE 16 SM 12 x 1,5				
	16	M 16 x 1,5	7	51	18	12	27	30	169	400	GE 16 SM 16 x 1,5				
	16	M 18 x 1,5	8	48	18	12	27	30	160	400	GE 16 SM 18 x 1,5				
	16	M 22 x 1,5	12	51	18,5	14	27	30	169	400	GE 16 SM 22 x 1,5				
	20	M 18 x 1,5	8	60	22,5	12	32	36	282	400	GE 20 SM 18 x 1,5				
	20	M 22 x 1,5	12	62	22,5	14	32	36	286	400	GE 20 SM 22 x 1,5				
	20	M 27 x 2	16	62	20,5	16	32	36	303	400	GE 20 SM 27 x 2				
	25	M 22 x 1,5	12	65	23	14	41	46	478	400	GE 25 SM 22 x 1,5				
	25	M 33 x 2	20	69	23	18	41	46	495	400	GE 25 SM 33 x 2				
	30	M 33 x 2	20	72	23,5	18	50	50	646	400	GE 30 SM 33 x 2				
	30	M 42 x 2	25	74	23,5	20	50	50	703	400	GE 30 SM 42 x 2				
	38	M 48 x 2	32	83	26	22	55	60	989	315	GE 38 SM 48 x 2				

MALE CONNECTOR—GE-R BSP—ED

MALE STUD COUPLINGS
L-SERIES
THREAD: BSP - PARALLEL
SEALING BY ELASTOMERIC SEAL

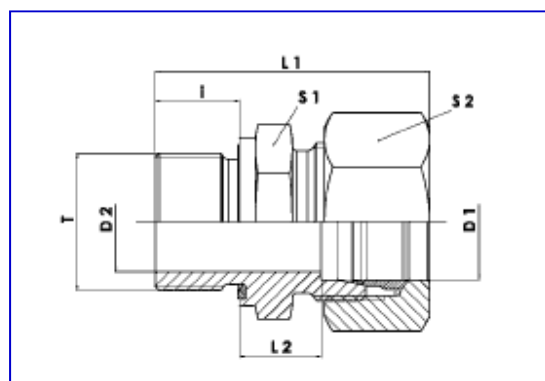


series	D1	T	D2	L1	L2	I	S1	S2	WT gm/no.	PN Bar	ME Part No.
LL	4	G 1/8 "	3	27	9,5	8	14	10	16	100	GE 4 LL R 1/8 ED
	6	G 1/8 "	4	28	8	8	14	12	20	100	GE 6 LL R 1/8 ED
	6	G 1/4 "	5	36	9,5	12	19	12	48	100	GE 6 LL R 1/4 ED
	8	G 1/8 "	4	31	9	8	14	14	25	100	GE 8 LL R 1/8 ED
	8	G 1/4 "	6	39	9	12	19	14	32	100	GE 8 LL R 1/4 ED
L	6	G 1/8 "	4	31	8,5	8	14	14	28	315	GE 6 L R 1/8 ED
	6	G 1/4 "	4	37	10	12	19	14	59	315	GE 6 L R 1/4 ED
	6	G 3/8 "	4	38	11,5	12	22	14	65	315	GE 6 L R 3/8 ED
	6	G 1/2 "	4	41	12	14	27	14	75	315	GE 6 L R 1/2 ED
	8	G 1/8 "	4	31	9,5	8	14	17	36	315	GE 8 L R 1/8 ED
	8	G 1/4 "	6	37	10	12	19	17	46	315	GE 8 L R 1/4 ED
	8	G 3/8 "	6	38	10	12	22	17	64	315	GE 8 L R 3/8 ED
	8	G 1/2 "	6	41	12	14	27	17	94	315	GE 8 L R 1/2 ED
	8	G 3/4 "	6	47	13	18	32	17	113	315	GE 8 L R 3/4 ED
	10	G 1/8 "	4	33	10,5	8	17	19	45	315	GE 10 L R 1/8 ED
	10	G 1/4 "	6	38	11	12	19	19	55	315	GE 10 L R 1/4 ED
	10	G 3/8 "	8	39	12,5	12	22	19	68	315	GE 10 L R 3/8 ED
	10	G 1/2 "	8	42	13	14	27	19	96	315	GE 10 L R 1/2 ED
	10	G 3/4 "	8	45,5	14,5	16	32	19	118	315	GE 10 L R 3/4 ED
	12	G 1/8 "	4	34	12,5	8	19	22	58	315	GE 12 L R 1/8 ED
	12	G 1/4 "	6	39	12	12	19	22	63	315	GE 12 L R 1/4 ED
	12	G 3/8 "	9	39	12,5	12	22	22	74	315	GE 12 L R 3/8 ED
12	G 1/2 "	10	42	13	14	27	22	99	315	GE 12 L R 1/2 ED	
12	G 3/4 "	10	45	14	16	32	22	151	315	GE 12 L R 3/4 ED	

3.7

MALE CONNECTOR—GE-R BSP—ED

MALE STUD COUPLINGS
L-SERIES
THREAD: BSP - PARALLEL
SEALING BY ELASTOMERIC SEAL

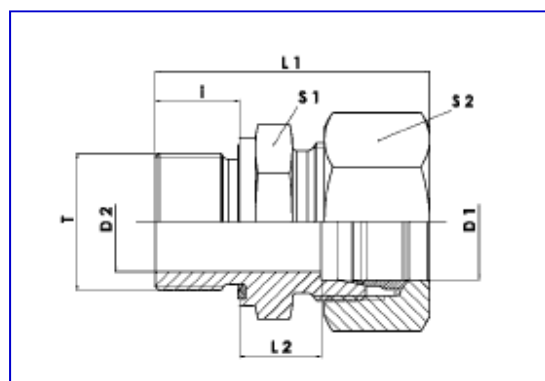


series	D1	T	D2	L1	L2	I	S1	S2	WT gm/no.	PN Bar	ME Part No.					
L	15	G 1/8 "	4	40	14	8	24	27	86	250	GE	15	L	R	1/8	ED
	15	G 1/4 "	6	44	14	12	24	27	91	250	GE	15	L	R	1/4	ED
	15	G 3/8 "	9	43	13,5	12	24	27	105	250	GE	15	L	R	3/8	ED
	15	G 1/2 "	11	43	14	14	27	27	121	250	GE	15	L	R	1/2	ED
	15	G 3/4 "	12	48,5	16	16	32	27	167	250	GE	15	L	R	3/4	ED
	15	G 1 "	12	50,5	16	18	41	27	204	250	GE	15	L	R	1	ED
	18	G 1/8 "	4	37,5	14,5	8	27	32	115	250	GE	18	L	R	1/8	ED
	18	G 1/4 "	6	41,5	14,5	12	27	32	125	250	GE	18	L	R	1/4	ED
	18	G 3/8 "	9	41,5	14,5	12	27	32	140	250	GE	18	L	R	3/8	ED
	18	G 1/2 "	14	45	14,5	14	27	32	143	250	GE	18	L	R	1/2	ED
	18	G 3/4 "	15	46	14,5	16	32	32	184	250	GE	18	L	R	3/4	ED
	18	G 1 "	15	57	14,5	18	41	32	225	250	GE	18	L	R	1	ED
	22	G 3/8 "	9	45	16,5	12	32	36	179	160	GE	22L	R	3/8	ED	
	22	G 1/2 "	14	47	16,5	14	32	36	184	160	GE	22L	R	1/2	ED	
	22	G 3/4 "	18	49	16,5	16	32	36	197	160	GE	22	L	R	3/4	ED
	22	G 1 "	19	51,5	17,5	18	41	36	276	160	GE	22	L	R	1	ED
	22	G 1.1/4 "	19	53,5	17,5	20	50	36	388	160	GE	22	L	R	1.1/4	ED
	28	G 1/2 "	14	48	17,5	14	41	41	243	160	GE	28	L	R	1/2	ED
	28	G 3/4 "	18	50	17,5	16	41	41	258	160	GE	28	L	R	3/4	ED
	28	G 1 "	23	53	17,5	18	41	41	270	160	GE	28	L	R	1	ED
	28	G 1.1/4 "	24	55	17,5	20	50	41	417	160	GE	28	L	R	1.1/4	ED
	28	G 1.1/2 "	24	60	20,5	22	55	41	443	160	GE	28	L	R	1.1/2	ED
	35	G 1/2 "	14	53	17,5	14	46	50	354	160	GE	35	L	R	1/2	ED
	35	G 3/4 "	18	55	17,5	16	46	50	363	160	GE	35	L	R	3/4	ED
	35	G 1 "	23	57	17,5	18	46	50	395	160	GE	35	L	R	1	ED
	35	G 1.1/4 "	30	59	17,5	20	50	50	437	160	GE	35	L	R	1.1/4	ED
	35	G 1.1/2 "	30	63	19,5	22	55	50	518	160	GE	35	L	R	1.1/2	ED
	42	G 1 "	23	60	19	18	55	60	570	160	GE	42	L	R	1	ED
	42	G 1.1/4 "	30	62	19	20	55	60	580	160	GE	42	L	R	1.1/4	ED
	42	G 1.1/2 "	36	69	19	22	55	60	592	160	GE	42	L	R	1.1/2	ED

3.8

MALE CONNECTOR—GE-R BSP –ED

MALE STUD COUPLINGS
S-SERIES
THREAD: BSP - PARALLEL
SEALING BY ELASTOMER SEAL

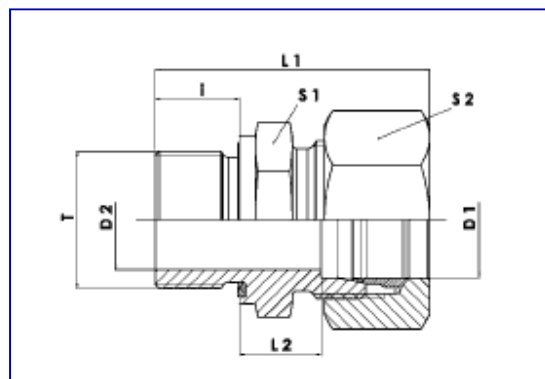


series	D1	T	D2	L1	L2	I	S1	S2	WT gm/no.	PN Bar	ME Part No.
S	6	G 1/8 "	3	35	12,5	8	17	17	43	630	GE 6 S R 1/8 ED
	6	G 1/4 "	4	40	13	12	19	17	55	630	GE 6 S R 1/4 ED
	6	G 3/8 "	4	42	15,5	12	22	17	78	630	GE 6 S R 3/8 ED
	6	G 1/2 "	4	47	18	14	27	17	105	630	GE 6 S R 1/2 ED
	6	G 3/4 "	4	51	20	16	32	17	140	630	GE 6 S R 3/4 ED
	8	G 1/4 "	5	42	15	12	19	19	65	630	GE 8 S R 1/4 ED
	8	G 3/8 "	5	42	15,5	12	22	19	85	630	GE 8 S R 3/8 ED
	8	G 1/2 "	5	47	18	14	27	19	125	630	GE 8 S R 1/2 ED
	10	G 1/8 "	3	39	14	8	19	22	80	630	GE 10 S R 1/8 ED
	10	G 1/4 "	5	43	14,5	12	19	22	80	630	GE 10 S R 1/4 ED
	10	G 3/8 "	7	43	15	12	22	22	90	630	GE 10 S R 3/8 ED
	10	G 1/2 "	7	48	17,5	14	27	22	135	630	GE 10 S R 1/2 ED
	10	G 3/4 "	7	51	17,5	16	32	22	170	630	GE 10 S R 3/4 ED
	12	G 1/4 "	5	45	16,5	12	22	24	100	630	GE 12 S R 1/4 ED
	12	G 3/8 "	8	45	17	12	22	24	105	630	GE 12 S R 3/8 ED
	12	G 1/2 "	8	48	17,5	14	27	24	100	630	GE 12 S R 1/2 ED
	12	G 3/4 "	8	51	17,5	16	32	24	172	630	GE 12 S R 3/4 ED
	14	G 1/4 "	5	47	16	12	22	27	120	630	GE 14 S R 1/4 ED
	14	G 3/8 "	8	48	18,5	12	22	27	135	630	GE 14 S R 3/8 ED
	14	G 1/2 "	10	51	19	14	27	27	155	630	GE 14 S R 1/2 ED
14	G 3/4 "	10	56	21	16	32	27	200	630	GE 14 S R 3/4 ED	
14	G 1 "	10	60	23	18	41	27	310	630	GE 14 S R 1 ED	

3.9

MALE CONNECTOR—GE-R BSP –ED

MALE STUD COUPLINGS
S-SERIES
THREAD: BSP - PARALLEL
SEALING BY ELASTOMERIC SEAL

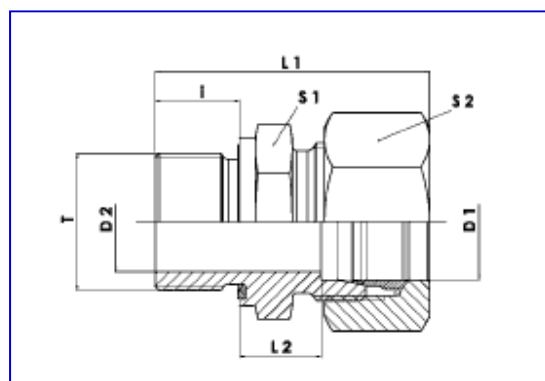


series	D1	T	D2	L1	L2	I	S1	S2	WT gm/no.	PN Bar	ME Part No.					
S	16	G 1/4 "	5	46	18	12	24	30	135	400	GE	16	S	R	1/4	ED
	16	G 3/8 "	8	50	18	14	27	30	160	400	GE	16	S	R	3/8	ED
	16	G 1/2 "	12	53	18,5	16	27	30	167	400	GE	16	S	R	1/2	ED
	16	G 3/4 "	12	57	20,5	18	32	30	233	400	GE	16	S	R	3/4	ED
	20	G 1/4 "	5	52	20,5	12	32	36	250	400	GE	20	S	R	1/4	ED
	20	G 3/8 "	8	52	20,5	12	32	36	255	400	GE	20	S	R	3/8	ED
	20	G 1/2 "	12	56	20,5	14	32	36	260	400	GE	20	S	R	1/2	ED
	20	G 3/4 "	16	58	20,5	16	32	36	265	400	GE	20	S	R	3/4	ED
	20	G 1 "	16	62	22,5	18	41	36	370	400	GE	20	S	R	1	ED
	20	G 1.1/4 "	16	68	22,5	20	50	36	500	400	GE	20	S	R	1.1/4	ED
	20	G 1.1/2 "	16	72	25,5	22	55	36	615	400	GE	20	S	R	1.1/2	ED
	25	G 1/2 "	12	56	23	14	41	46	450	400	GE	25	S	R	1/2	ED
	25	G 3/4 "	16	60	23	16	41	46	460	400	GE	25	S	R	3/4	ED
	25	G 1 "	20	64	23	18	41	46	480	400	GE	25	S	R	1	ED
	25	G 1.1/4 "	20	68	23	20	50	46	640	400	GE	25	S	R	1.1/4	ED
	25	G 1.1/2 "	20	72	26	22	55	46	720	400	GE	25	S	R	1.1/2	ED
	30	G 1/2 "	12	60	23,5	14	46	50	560	400	GE	30	S	R	1/2	ED
	30	G 1 "	20	68	23,5	18	46	50	580	400	GE	30	S	R	1	ED
	30	G 1.1/4 "	25	70	23,5	20	50	50	660	400	GE	30	S	R	1.1/4	ED
	30	G 1.1/2 "	25	74	26,5	22	55	50	790	400	GE	30	S	R	1.1/2	ED
38	G 3/4 "	16	69	26	16	55	60	915	315	GE	38	S	R	3/4	ED	
38	G 1 "	20	73	26	18	55	60	940	315	GE	38	S	R	1	ED	
38	G 1.1/4 "	25	77	26	20	55	60	950	315	GE	38	S	R	1.1/4	ED	
38	G 1.1/2 "	32	79	26	22	55	60	960	315	GE	38	S	R	1.1/2	ED	

3.10

MALE CONNECTOR—GE-M METRIC—ED

MALE STUD COUPLINGS
L-SERIES
THREAD: METRIC
SEALING BY ELASTOMERIC SEAL

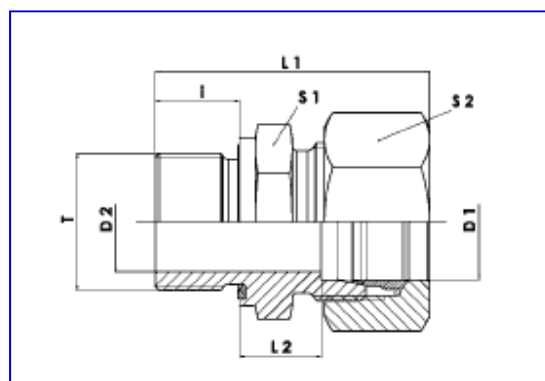


series	D1	T	D2	L1	L2	I	S1	S2	WT gm/no.	PN Bar	ME Part No.
L	6	M 10 x 1	4	31	8,5	8	14	14	42	315	GE 6 LM 10 x 1 ED
	6	M 12 x 1,5	4	39	10	12	17	14	45	315	GE 6 LM 12 x 1,5 ED
	6	M 14 x 1,5	4	39	10	12	19	14	52	315	GE 6 LM 14 x 1,5 ED
	8	M 10 x 1	4	34	9,5	8	17	17	52	315	GE 8 LM 10 x 1 ED
	8	M 12 x 1,5	6	37	10	12	17	17	65	315	GE 8 LM 12 x 1,5 ED
	8	M 14 x 1,5	6	39	10	12	19	17	72	315	GE 8 LM 14 x 1,5 ED
	8	M 16 x 1,5	6	39,5	11,5	12	22	17	77	315	GE 8 LM 16 x 1,5 ED
	8	M 18 x 1,5	6	39,5	11,5	12	24	17	87	315	GE 8 LM 18 x 1,5 ED
	10	M 10 x 1	4	35,5	11	8	17	19	46	315	GE 10 LM 10 x 1 ED
	10	M 12 x 1,5	6	40,5	11,5	12	17	19	51	315	GE 10 LM 12 x 1,5 ED
	10	M 14 x 1,5	7	38	11	12	19	19	51	315	GE 10 LM 14 x 1,5 ED
	10	M 16 x 1,5	8	42	12,5	12	22	19	61	315	GE 10 LM 16 x 1,5 ED
	10	M 18 x 1,5	8	42	12,5	12	24	19	71	315	GE 10 LM 18 x 1,5 ED
	10	M 22 x 1,5	8	45	14	14	27	19	101	315	GE 10 LM 22 x 1,5 ED
	12	M 12 x 1,5	6	40	13	12	19	22	59	315	GE 12 LM 12 x 1,5 ED
	12	M 14 x 1,5	7	40	12,5	12	19	22	64	315	GE 12 LM 14 x 1,5 ED
	12	M 16 x 1,5	9	39	12,5	12	22	22	69	315	GE 12 LM 16 x 1,5 ED
	12	M 18 x 1,5	10	42	12,5	12	24	22	79	315	GE 12 LM 18 x 1,5 ED
	12	M 22 x 1,5	10	45,5	14	14	27	22	109	315	GE 12 LM 22 x 1,5 ED
	15	M 16 x 1,5	9	44	13,5	12	24	27	97	315	GE 15 LM 16 x 1,5 ED
	15	M 18 x 1,5	11	41	13,5	12	24	27	105	315	GE 15 LM 18 x 1,5 ED
	15	M 22 x 1,5	12	47	15	14	27	27	146	315	GE 15 LM 22 x 1,5 ED
	18	M 18 x 1,5	11	45	14	12	27	32	143	315	GE 18 LM 18 x 1,5 ED
	18	M 22 x 1,5	14	45	14,5	14	27	32	168	315	GE 18 LM 22 x 1,5 ED
	18	M 26 x 1,5	15	48	14,5	16	32	32	189	315	GE 18 LM 26 x 1,5 ED
	22	M 22 x 1,5	14	41	17,5	14	32	36	197	160	GE 22 LM 22 x 1,5 ED
	22	M 26 x 1,5	18	49	16,5	16	32	36	204	160	GE 22 LM 26 x 1,5 ED
	28	M 33 x 2	23	52	17,5	18	41	41	286	160	GE 28 LM 33 x 2 ED
	35	M 42 x 2	30	59	17,5	20	50	50	470	160	GE 35 LM 42 x 2 ED
	42	M 48 x 2	36	64	19	22	55	60	637	160	GE 42 LM 48 x 2 ED

3.11

MALE CONNECTOR—GE-M METRIC –ED

MALE STUD COUPLINGS
S-SERIES
THREAD: METRIC
SEALING BY ELASTOMERIC SEAL

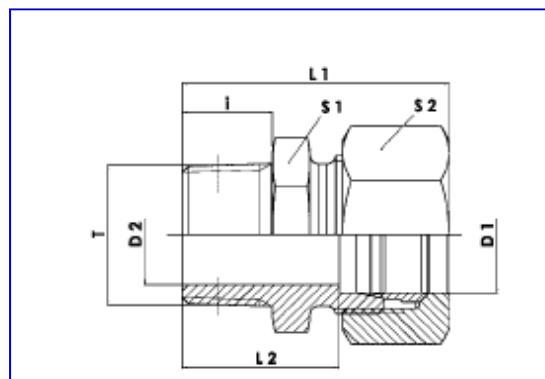


3.12

series	D1	T	D2	L1	L2	I	S1	S2	WT gm/no.	PN Bar	ME Part No.			
S	6	M 12 x 1,5	4	40	13	12	17	17	52	630	GE 6 SM	12 x 1,5	ED	
	6	M 14 x 1,5	4	42	15	12	19	17	59	630	GE 6 SM	14 x 1,5	ED	
	8	M 12 x 1,5	4	37	10	12	17	17	66	630	GE 8 SM	12 x 1,5	ED	
	8	M 14 x 1,5	5	42	15	12	19	19	68	630	GE 8 SM	14 x 1,5	ED	
	8	M 16 x 1,5	5	44	15	12	22	19	71	630	GE 8 SM	16 x 1,5	ED	
	10	M 14 x 1,5	5	44	15	12	19	22	86	630	GE 10 SM	14 x 1,5	ED	
	10	M 16 x 1,5	7	43	15	12	22	22	88	630	GE 10 SM	16 x 1,5	ED	
	10	M 18 x 1,5	7	48	17	12	24	22	114	630	GE 10 SM	18 x 1,5	ED	
	10	M 22 x 1,5	7	48	15,5	14	27	22	137	630	GE 10 SM	22 x 1,5	ED	
	12	M 12 x 1,5	4	48	16,5	12	22	24	101	630	GE 12 SM	12 x 1,5	ED	
	12	M 14 x 1,5	5	45	16,5	12	22	24	98	630	GE 12 SM	14 x 1,5	ED	
	12	M 16 x 1,5	7	48	16,5	12	22	24	106	630	GE 12 SM	16 x 1,5	ED	
	12	M 18 x 1,5	8	45	17	12	24	24	110	630	GE 12 SM	18 x 1,5	ED	
	12	M 22 x 1,5	8	48	17,5	14	27	24	141	630	GE 12 SM	22 x 1,5	ED	
	14	M 20 x 1,5	10	51	19	14	27	27	152	630	GE 14 SM	20 x 1,5	ED	
	14	M 27 x 2	10	55	19	16	32	27	224	630	GE 14 SM	27 x 2	ED	
	16	M 12 x 1,5	4	51	18	12	27	30	164	400	GE 16 SM	12 x 1,5	ED	
	16	M 16 x 1,5	7	51	18	12	27	30	169	400	GE 16 SM	16 x 1,5	ED	
	16	M 18 x 1,5	8	48	18	12	27	30	160	400	GE 16 SM	18 x 1,5	ED	
	16	M 22 x 1,5	12	51	18,5	14	27	30	169	400	GE 16 SM	22 x 1,5	ED	
	20	M 18 x 1,5	8	60	22,5	12	32	36	282	400	GE 20 SM	18 x 1,5	ED	
	20	M 22 x 1,5	12	62	22,5	14	32	36	286	400	GE 20 SM	22 x 1,5	ED	
	20	M 27 x 2	16	62	20,5	16	32	36	303	400	GE 20 SM	27 x 2	ED	
	25	M 22 x 1,5	12	65	23	14	41	46	478	400	GE 25 SM	22 x 1,5	ED	
	25	M 33 x 2	20	69	23	18	41	46	495	400	GE 25 SM	33 x 2	ED	
	30	M 33 x 2	20	72	23,5	18	50	50	646	400	GE 30 SM	33 x 2	ED	
	30	M 42 x 2	25	74	23,5	20	50	50	703	400	GE 30 SM	42 x 2	ED	
	38	M 48 x 2	32	83	26	22	55	60	989	315	GE 38 SM	48 x 2	ED	

MALE CONNECTOR—GE-R—Keg - BSPT

MALE STUD COUPLINGS
LL / L-SERIES
THREAD: BSPT

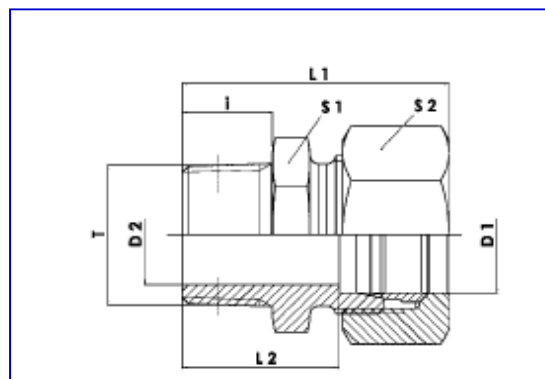


SERIES	D1	T			D2	L1	L2	i	S1	S2	Wt in gm/set	Bar	ME Part no.			
LL	4	R	1/8	keg.	3	34	16	8	11	10	12	100	GE 4	LLR	1/8	keg.
	6	R	1/8	keg.	4,5	34	14,5	8	11	12	15	100	GE 6	LLR	1/8	keg.
	8	R	1/8	keg.	6	36	16,5	8	12	14	18	100	GE 8	LLR	1/8	keg.
	8	R	1/4	keg.	6	44	20,5	12	14	14	26	100	GE 8	LLR	1/4	keg.
	10	R	1/4	keg.	8	44	20,5	12	14	17	28	100	GE 10	LLR	1/4	keg.
L	6	R	1/8	keg.	4	38	15	8	12	14	23	315	GE 6	LR	1/8	keg.
	6	R	1/4	keg.	4	47	20	12	17	14	27	315	GE 6	LR	1/4	keg.
	6	R	3/8	keg.	4	50	21	12	19	14	30	315	GE 6	LR	3/8	keg.
	6	R	1/2	keg.	4	54	23	14	22	14	32	315	GE 6	LR	1/2	keg.
	8	R	1/8	keg.	4	39	16	8	17	17	32	315	GE 8	LR	1/8	keg.
	8	R	1/4	keg.	6	47	20	12	17	17	39	315	GE 8	LR	1/4	keg.
	8	R	3/8	keg.	6	50	21	12	19	17	42	315	GE 8	LR	3/8	keg.
	8	R	1/2	keg.	6	54	23	14	24	17	47	315	GE 8	LR	1/2	keg.
	10	R	1/8	keg.	4	42	17	8	17	19	41	315	GE 10	LR	1/8	keg.
	10	R	1/4	keg.	7	48	21	12	17	19	45	315	GE 10	LR	1/4	keg.
	10	R	3/8	keg.	8	50	21	12	19	19	51	315	GE 10	LR	3/8	keg.
	10	R	1/2	keg.	8	54	23	14	22	19	56	315	GE 10	LR	1/2	keg.
	12	R	1/8	keg.	4	43	18	8	19	22	79	315	GE 12	LR	1/8	keg.
	12	R	1/4	keg.	7	49	22	12	19	22	82	315	GE 12	LR	1/4	keg.
	12	R	3/8	keg.	9	49	22	12	19	22	84	315	GE 12	LR	3/8	keg.
	12	R	1/2	keg.	10	53	24	14	24	22	89	315	GE 12	LR	1/2	keg.
12	R	3/4	keg.	10	63	28	17	27	22	99	315	GE 12	LR	3/4	keg.	

3.13

MALE CONNECTOR—GE-R—Keg - BSPT

MALE STUD COUPLINGS
L-SERIES
THREAD: BSPT

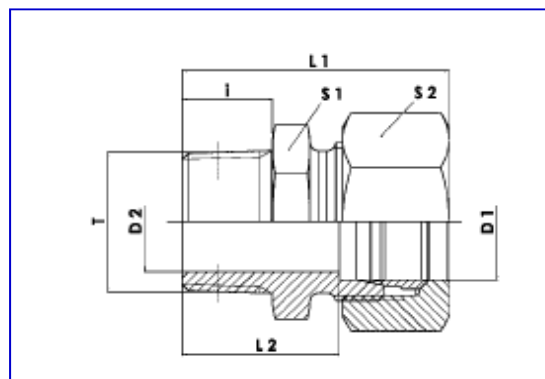


SERIES	D1	T	D2	L1	L2	i	S1	S2	Wt in gm/set	Bar	ME Part no.
L	15	R 1/4 keg.	7	53	23	12	242	27	87	315	GE 15 LR 1/4 keg.
	15	R 3/8 keg.	9	50	23	12	24	27	96	315	GE 15 LR 3/8 keg.
	15	R 1/2 keg.	12	54	25	14	24	27	106	315	GE 15 LR 1/2 keg.
	15	R 3/4 keg.	12	64	29	17	27	27	117	315	GE 15 LR 3/4 keg.
	18	R 3/8 keg.	9	54	23,5	12	27	32	123	315	GE 18 LR 3/8 keg.
	18	R 1/2 keg.	15	56	25,5	14	27	32	132	315	GE 18 LR 1/2 keg.
	18	R 3/4 keg.	14	64	28,5	17	27	32	138	315	GE 18 LR 3/4 keg.
	22	R 3/8 keg.	9	58	25,5	12	32	36	164	160	GE 22 LR 3/8 keg.
	22	R 1/2 keg.	15	60	25,5	14	32	36	172	160	GE 22 LR 1/2 keg.
	22	R 3/4 keg.	17	62	29,5	16	32	36	188	160	GE 22 LR 3/4 keg.
	22	R 1 keg.	19	68	31,5	18	32	36	199	160	GE 22 LR 1 keg.
	28	R 1/2 keg.	15	64	31,5	14	41	41	218	160	GE 28 LR 1/2 keg.
	28	R 3/4 keg.	19	65	30,5	16	41	41	228	160	GE 28 LR 3/4 keg.
	28	R 1 keg.	20	67	32,5	18	41	41	252	160	GE 28 LR 1 keg.
	28	R 1.1/4 keg.	24	69	30,5	20	46	41	286	160	GE 28 LR 1.1/4 keg.
	35	R 1 keg.	20	69	27,5	18	46	50	377	160	GE 35 LR 1 keg.
	35	R 1.1/4 keg.	24	76	34,5	20	46	50	395	160	GE 35 LR 1.1/4 keg.
	35	R 1.1/2 keg.	30	78	34	22	50	50	445	160	GE 35 LR 1.1/2 keg.
	42	R 1.1/4 keg.	30	75	31	20	55	60	549	160	GE 42 LR 1.1/4 keg.
	42	R 1.1/2 keg.	36	83	38	22	55	60	574	160	GE 42 LR 1.1/2 keg.

3.14

MALE CONNECTOR—GE-R—Keg - BSPT

MALE STUD COUPLINGS
S-SERIES
THREAD: BSPT

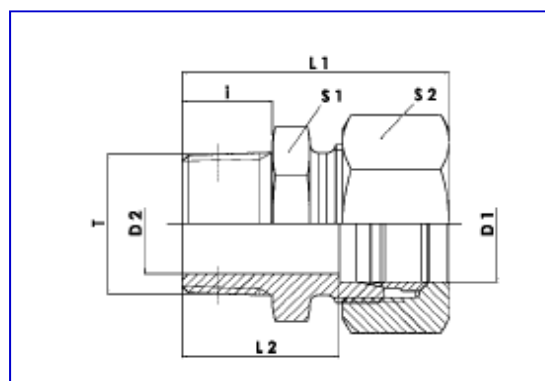


SERIES	D1	T	D2	L1	L2	i	S1	S2	Wt in gm/set	Bar	ME Part no.
S	6	R 1/8 keg.	4	33	19	8	17	17	40	400	GE 6 SR 1/8 keg.
	6	R 1/4 keg.	4	33	20,5	12	17	17	56	400	GE 6 SR 1/4 keg.
	6	R 3/8 keg.	4	34	21,5	12	17	17	59	400	GE 6 SR 3/8 keg.
	8	R 1/8 keg.	4	34	20	8	17	19	53	400	GE 8 SR 1/8 keg.
	8	R 1/4 keg.	5	34	21,5	12	17	19	58	400	GE 8 SR 1/4 keg.
	8	R 3/8 keg.	5	34	21,5	12	19	19	69	400	GE 8 SR 3/8 keg.
	10	R 1/4 keg.	5	36	21,5	12	19	22	79	400	GE 10 SR 1/4 keg.
	10	R 3/8 keg.	7	36	21,5	12	19	22	83	400	GE 10 SR 3/8 keg.
	10	R 1/2 keg.	7	39	25,5	14	24	30	107	400	GE 10 SR 1/2 keg.
	12	R 1/4 keg.	5	40	26	12	22	24	95	400	GE 12 SR 1/4 keg.
	12	R 3/8 keg.	8	40	26	12	22	24	100	400	GE 12 SR 3/8 keg.
	12	R 1/2 keg.	8	40	26,5	14	22	24	121	400	GE 12 SR 1/2 keg.
	14	R 3/8 keg.	8	42	26,5	12	24	27	134	400	GE 14 SR 3/8 keg.
	14	R 1/2 keg.	10	42	27	14	24	27	146	400	GE 14 SR 1/2 keg.
	16	R 3/8 keg.	8	45	29	12	27	30	156	160	GE 16 SR 3/8 keg.
	16	R 1/2 keg.	12	45	29,5	14	27	30	169	160	GE 16 SR 1/2 keg.
	16	R 3/4 keg.	12	45	30,5	16	27	30	202	160	GE 16 SR 3/4 keg.
	20	R 1/2 keg.	12	52	31,5	14	32	36	257	160	GE 20 SR 1/2 keg.
	20	R 3/4 keg.	16	52	32,5	16	32	36	262	160	GE 20 SR 3/4 keg.
	25	R 3/4 keg.	16	57	36	16	41	46	455	160	GE 25 SR 3/4 keg.
25	R 1 keg.	20	59	37	18	41	46	493	160	GE 25 SR 1 keg.	
30	R 1.1/4 keg.	25	63	43	20	46	50	635	160	GE 30 SR 1.1/4 keg.	
38	R 1.1/2 keg.	25	81	49	22	55	60	933	160	GE 38 SR 1.1/2 keg.	

3.15

MALE CONNECTOR—GE—NPT

MALE STUD COUPLINGS
LL/L-SERIES
THREAD: NPT

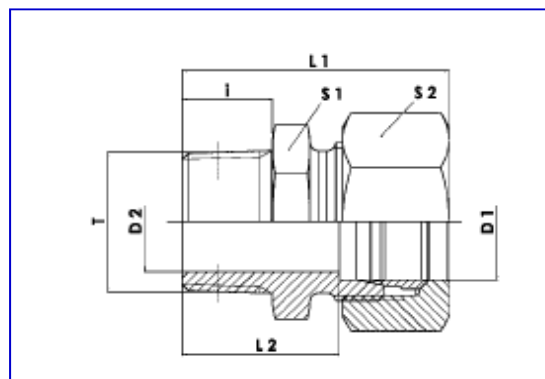


3.16

SERIES	D1	T	D2	L1	L2	i	S1	S2	Wt in gm/set	Bar	ME Part no.			
LL	04	1/8 " NPT	3	28	18	10	11	10	13	100	GE 04	LL	1/8	NPT
	06	1/8 " NPT	4,5	28	16,5	10	11	10	16	100	GE 06	LL	1/8	NPT
	08	1/8 " NPT	5	30	18,5	10	12	14	19	100	GE 08	LL	1/8	NPT
L	06	1/8 " NPT	4	32	17	10	12	14	24	315	GE 06	L	1/8	NPT
	06	1/4 " NPT	4	38	23	15	17	14	39	315	GE 06	L	1/4	NPT
	06	3/8 " NPT	4	38	23	15	19	14	44	315	GE 06	L	3/8	NPT
	06	1/2 " NPT	4	44	29	20	22	14	65	315	GE 06	L	1/2	NPT
	08	1/8 " NPT	4	33	18	10	14	17	33	315	GE 08	L	1/8	NPT
	08	1/4 " NPT	6	38	23	15	17	17	42	315	GE 08	L	1/4	NPT
	08	3/8 " NPT	6	38	23	15	19	17	51	315	GE 08	L	3/8	NPT
	08	1/2 " NPT	6	44	29	20	22	17	71	315	GE 08	L	1/2	NPT
	10	1/8 " NPT	4	33	18	10	17	19	40	315	GE 10	L	1/8	NPT
	10	1/4 " NPT	7	39	24	15	17	19	46	315	GE 10	L	1/4	NPT
	10	3/8 " NPT	7	40	25	15	19	19	61	315	GE 10	L	3/8	NPT
	10	1/2 " NPT	8	45	30	20	22	19	75	315	GE 10	L	1/2	NPT
	10	3/4 " NPT	8	46	31	20	30	19	114	315	GE 10	L	3/4	NPT
	12	1/8 " NPT	4	34	19	10	19	22	81	315	GE 12	L	1/8	NPT
	12	1/4 " NPT	7	40	25	15	19	22	60	315	GE 12	L	1/4	NPT
	12	3/8 " NPT	8	40	25	15	19	22	66	315	GE 12	L	3/8	NPT
	12	1/2 " NPT	10	45	30	20	22	22	91	315	GE 12	L	1/2	NPT
	12	3/4 " NPT	8	45	31	20	27	22	104	315	GE 12	L	3/4	NPT
15	1/4 " NPT	7	41	26	15	24	27	97	315	GE 15	L	1/4	NPT	
15	3/8 " NPT	8	41	26	15	24	27	100	315	GE 15	L	3/8	NPT	
15	1/2 " NPT	12	46	31	20	24	27	110	315	GE 15	L	1/2	NPT	
15	3/4 " NPT	12	47	32	20	30	27	159	315	GE 15	L	3/4	NPT	

MALE CONNECTOR—GE—NPT

MALE STUD COUPLINGS
L-SERIES
THREAD: NPT

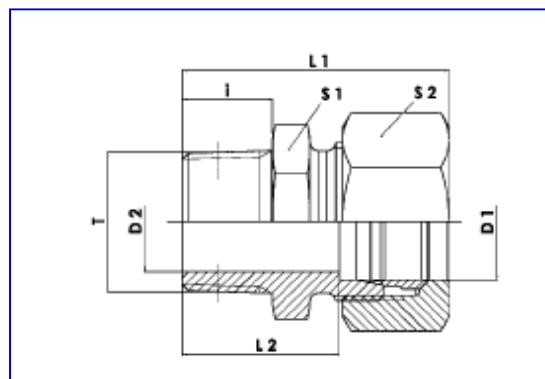


SERIES	D1	T	D2	L1	L2	i	S1	S2	Wt in gm/set	Bar	ME Part no.
L	18	3/8 " NPT	8	43	26,5	15	27	32	137	315	GE 18 L 3/8 NPT
	18	1/2 " NPT	12	48	31,5	20	27	32	147	315	GE 18 L 1/2 NPT
	18	3/4 " NPT	15	48	31,5	20	30	32	172	315	GE 18 L 3/4 NPT
	18	1 " NPT	15	54	37,5	25	36	32	227	315	GE 18 L 1 NPT
	22	3/8 " NPT	8	45	29	15	32	36	180	160	GE 22 L 3/8 NPT
	22	1/2 " NPT	12	50	33,5	20	32	36	185	160	GE 22 L 1/2 NPT
	22	3/4 " NPT	16	50	33,5	20	32	36	197	160	GE 22 L 3/4 NPT
	22	1 " NPT	19	56	39,5	25	36	36	263	160	GE 22 L 1 NPT
	22	1.1/4 " NPT	19	56	46	25	46	36	289	160	GE 22 L 1.1/4 NPT
	28	1/2 " NPT	12	51	35	20	41	41	278	160	GE 28 L 1/2 NPT
	28	3/4 " NPT	16	51	34,5	20	41	41	255	160	GE 28 L 3/4 NPT
	28	1/1 " NPT	21	56	39,5	25	41	41	295	160	GE 28 L 1 NPT
	28	1.1/4 " NPT	24	58	41,5	25	46	41	364	160	GE 28 L 1.1/4 NPT
	35	3/4 " NPT	16	61	40	20	46	50	407	160	GE 35 L 3/4 NPT
	35	1 " NPT	22	61	39,5	25	46	50	437	160	GE 35 L 1 NPT
	35	1.1/4 " NPT	28	62	40,5	25	46	50	442	160	GE 35 L 1.1/4 NPT
	35	1.1/2 " NPT	30	67	42,5	26	55	50	457	160	GE 35 L 1.1/2 NPT
	42	1 " NPT	22	65	42	25	55	60	621	160	GE 42 L 1 NPT
	42	1.1/4 " NPT	28	65	42	25	55	60	629	160	GE 42 L 1.1/4 NPT
	42	1.1/2 " NPT	36	65	42	26	55	60	639	160	GE 42 L 1.1/2 NPT

3.17

MALE CONNECTOR—GE—NPT

MALE STUD COUPLINGS
S-SERIES
THREAD: NPT

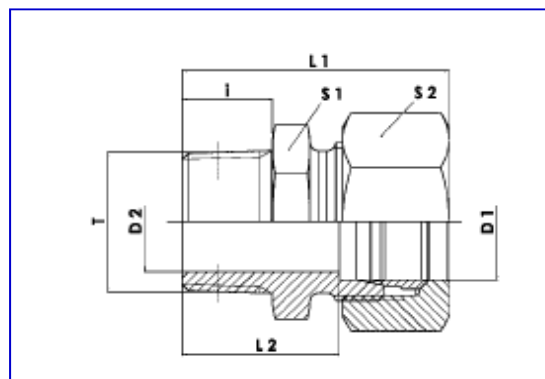


SERIES	D1	T	D2	L1	L2	i	S1	S2	Wt in gm/set	Bar	ME Part no.
S	6	1/8 " NPT	4	36	21	10	14	17	40	630	GE 6 S 1/8 NPT
	6	1/4 " NPT	4	43	28	15	17	17	56	630	GE 6 S 1/4 NPT
	6	3/8 " NPT	4	41	26	15	19	17	59	630	GE 6 S 3/8 NPT
	6	1/2 " NPT	4	50	35	20	22	17	90	630	GE 6 S 1/2 NPT
	8	1/8 " NPT	4	38	23	10	17	19	48	630	GE 8 S 1/8 NPT
	8	1/4 " NPT	5	43	28	15	17	19	61	630	GE 8 S 1/4 NPT
	8	3/8 " NPT	5	43	28	15	19	19	69	630	GE 8 S 3/8 NPT
	8	1/2 " NPT	5	50	35	20	22	19	96	630	GE 8 S 1/2 NPT
	10	1/8 " NPT	4	40	23	10	19	22	74	630	GE 10 S 1/8 NPT
	10	1/4 " NPT	5	44	27,5	15	19	22	79	630	GE 10 S 1/4 NPT
	10	3/8 " NPT	7	44	27,5	15	19	22	83	630	GE 10 S 3/8 NPT
	10	1/2 " NPT	7	51	34,5	20	22	22	107	630	GE 10 S 1/2 NPT
	10	3/4 " NPT	7	53	36,5	20	30	22	159	630	GE 10 S 3/4 NPT
	12	1/4 " NPT	5	46	29,5	15	22	24	95	630	GE 12 S 1/4 NPT
	12	3/8 " NPT	8	46	29,5	15	22	24	100	630	GE 12 S 3/8 NPT
	12	1/2 " NPT	8	51	34,5	20	22	24	121	630	GE 12 S 1/2 NPT
	12	3/4 " NPT	8	53	36,5	20	30	24	164	630	GE 12 S 3/4 NPT
	14	3/8 " NPT	8	49	31	15	24	27	134	630	GE 14 S 3/8 NPT
	14	1/2 " NPT	10	54	36	20	24	27	146	630	GE 14 S 1/2 NPT
	14	3/4 " NPT	10	56	38	20	30	27	187	630	GE 14 S 3/4 NPT
16	3/8 " NPT	8	49	30,5	15	27	30	156	400	GE 16 S 3/8 NPT	
16	1/2 " NPT	12	58	39,5	20	32	30	169	400	GE 16 S 1/2 NPT	
16	3/4 " NPT	12	46	37,5	20	30	30	202	400	GE 16 S 3/4 NPT	
16	1 " NPT	12	61	42,5	25	36	30	250	400	GE 16 S 1 NPT	

3.18

MALE CONNECTOR—GE—NPT

MALE STUD COUPLINGS
S-SERIES
THREAD: NPT

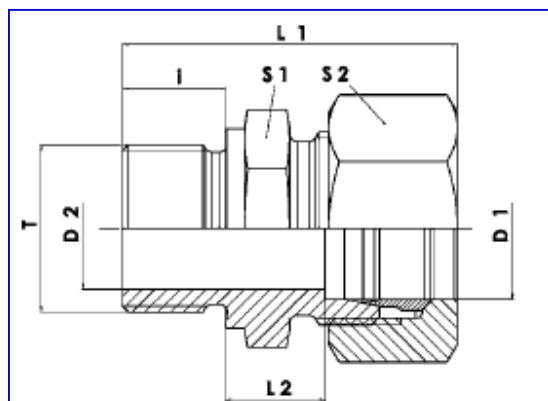


SERIES	D1	T	D2	L1	L2	i	S1	S2	Wt in gm/set	Bar	ME Part no.
S	20	3/8 " NPT	8	54	32,5	15	32	36	243	400	GE 20 S 3/8 NPT
	20	1/2 " NPT	12	59	37,5	20	32	36	257	400	GE 20 S 1/2 NPT
	20	3/4 " NPT	16	59	37,5	20	32	36	262	400	GE 20 S 3/4 NPT
	20	1 " NPT	16	66	44,5	25	36	36	356	400	GE 20 S 1/1 NPT
	20	1.1/4 " NPT	16	70	46	25	46	36	483	400	GE 20 S 1.1/4 NPT
	25	1/2 " NPT	12	59	37,5	20	41	46	435	400	GE 25 S 1/2 NPT
	25	3/4 " NPT	16	64	40	20	41	46	455	400	GE 25 S 3/4 NPT
	25	1 " NPT	20	69	45	25	41	46	493	400	GE 25 S 1/1 NPT
	25	1.1/4 " NPT	20	70	46	25	46	46	611	400	GE 25 S 1.1/4 NPT
	30	3/4 " NPT	16	67	40,5	20	46	50	545	400	GE 30 S 3/4 NPT
	30	1 " NPT	20	72	45,5	25	46	50	581	400	GE 30 S 1/1 NPT
	30	1.1/4 " NPT	25	73	46,5	25	46	50	635	400	GE 30 S 1.1/4 NPT
	30	1.1/2 " NPT	25	73	46,5	26	50	50	678	400	GE 30 S 1.1/2 NPT
	38	1 " NPT	22	79	48	25	55	60	872	315	GE 38 S 1/1 NPT
	38	1.1/4 " NPT	20	73	46,5	25	55	60	922	315	GE 38 S 1.1/4 NPT
	38	1.1/2 " NPT	25	73	46,5	26	55	60	982	315	GE 38 S 1.1/2 NPT

3.19

MALE CONNECTOR—GE—UNF

MALE STUD COUPLINGS
 THREAD: UNF
 METAL SEALING EDGE FORM B

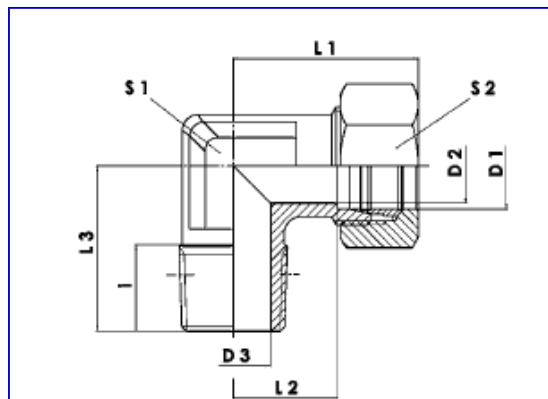


SERIES	D1	T - UNF	D2	L1	L2	i	S1	S2	Wt in gm/set	BAR	ME PART NO.
L	6	7/16 -20	4	32,5	9	9	17	14	32	315	GE 6 L 7/16 -20 UNF
	8	7/16 -20	5	34	10	9	17	17	38	315	GE 8 L 7/16 -20 UNF
	10	7/16 -20	5	36	11	10	17	19	44	315	GE 10 L 7/16 -20 UNF
	12	9/16 -18	7	36	11	10	19	22	61	315	GE 12 L 9/16 -18 UNF
	12	3/4 -16	10	39	13	11	24	22	81	315	GE 12 L 3/4 -16 UNF
	12	7/8 -14	10	42	14,3	13	27	22	106	315	GE 12 L 7/8 -14 UNF
	15	3/4 -16	11	40	14	11	24	27	104	315	GE 15 L 3/4 -16 UNF
	15	7/8 -14	12	43	15,3	13	27	27	128	315	GE 15 L 7/8 -14 UNF
	18	3/4 -16	11	42	14,5	11	27	32	136	315	GE 18 L 3/4 -16 UNF
	18	7/8 -14	14	44	14,8	13	27	32	140	315	GE 18 L 7/8 -14 UNF
	22	7/8 -14	14	46	16,8	13	32	36	183	160	GE 22 L 7/8 -14 UNF
	22	1.1/16 -12	18	48	16,5	15	32	36	192	160	GE 22 L 1.1/16 -12 UNF
	22	1.5/16 -12	19	49	17,5	15	41	36	252	160	GE 22 L 1.5/16 -12 UNF
	28	1.1/16 -12	18	49	17,5	15	41	41	250	160	GE 28 L 1.1/16 -12 UNF
	35	1.5/16 -12	23	54	17,5	15	46	50	379	160	GE 35 L 1.5/16 -12 UNF
	35	1.5/8 -12	29	54	17,5	15	50	50	414	160	GE 35 L 1.5/8 -12 UNF
42	1.5/8 -12	29	57	19	15	55	60	578	160	GE 42 L 1.5/8 -12 UNF	
S	8	7/16 -20	4	39	15	9	17	19	56	630	GE 8 S 7/16 -20 UNF
	10	9/16 -18	6	41	14,5	10	19	22	76	630	GE 10 S 9/16 -18 UNF
	12	9/16 -18	6	41	14,5	10	22	24	88	630	GE 12 S 9/16 -18 UNF
	12	3/4 -16	8	45	17,5	11	24	24	111	630	GE 12 S 3/4 -16 UNF
	16	3/4 -16	11	45	15,5	11	24	30	162	400	GE 16 S 3/4 -16 UNF
	16	7/8 -14	12	50	18,8	13	27	30	167	400	GE 16 S 7/8 -14 UNF
	20	3/4 -16	10	53	20,5	11	32	36	245	400	GE 20 S 3/4 -16 UNF
	20	7/8 -14	12	55	20,8	13	32	36	254	400	GE 20 S 7/8 -14 UNF
	20	1.1/16 -12	16	57	20,5	15	32	36	276	400	GE 20 S 1.1/16 -12 UNF
	25	1.1/16 -12	16	62	23	15	36	46	421	400	GE 25 S 1.1/16 -12 UNF
	25	1.5/16 -12	20	62	23	15	41	46	473	400	GE 25 S 1.5/16 -12 UNF
	30	1.5/16 -12	20	65	23,5	15	46	50	565	400	GE 30 S 1.5/16 -12 UNF
	30	1.5/8 -12	24	65	23,5	15	50	50	660	400	GE 30 S 1.5/8 -12 UNF
	38	1.5/8 -12	24	72	26	15	55	60	916	315	GE 38 S 1.5/8 -12 UNF

3.20

MALE ELBOW—WE—R- Keg

MALE STUD ELBOW
THREAD: BSPT



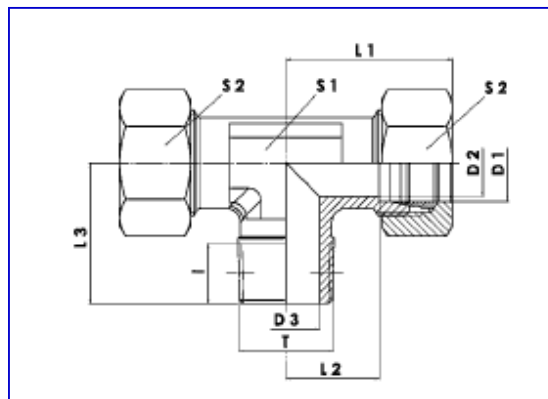
3.21

SERIES	D1	T	L1	L2	L3	i	S1	S2	Bar	ME PART NO.
LL	4	R 1/8 keg.	21	11	17	8	9	10	100	WE 4 LLR keg.
	6	R 1/8 keg.	21	9,5	17	8	9	12	100	WE 6 LLR keg.
	8	R 1/8 keg.	23	11,5	20	8	12	14	100	WE 8 LLR keg.
	10	R 1/4 keg.	24	12,5	23	12	17	14	100	WE 10 LLR keg.
	12	R 1/4 keg.	25	13	23	12	19	17	100	WE 12 LLR keg.
L	6	R 1/8 Keg	27	12,0	20	8	12	14	315	WE 6 LR Keg
	8	R 1/4 Keg	29	14,0	26	12	12	17	315	WE 8 LR Keg
	10	R 1/4 Keg	30	15,0	27	12	14	19	315	WE 10 LR Keg
	12	R 3/8 Keg	32	17,0	28	12	17	22	315	WE 12 LR Keg
	15	R 1/2 Keg	36	21,0	34	14	19	27	315	WE 15 LR Keg
	18	R 1/2 Keg	40	23,5	36	14	24	32	315	WE 18 LR Keg
	22	R 3/4 Keg	44	27,5	42	16	27	36	160	WE 22 LR Keg
	28	R 1 Keg	47	30,5	48	18	36	41	160	WE 28 LR Keg
	35	R 1.1/4 Keg	56	34,5	57	20	41	50	160	WE 35 LR Keg
	42	R 1.1/2 Keg	63	40,0	63	22	50	60	160	WE 42 LR Keg
S	6	R 1/4 Keg	31	16,0	26	12	12	17	630	WE 6 SR Keg
	8	R 1/4 Keg	32	17,0	27	12	14	19	630	WE 8 SR Keg
	10	R 3/8 Keg	34	17,5	28	12	17	22	630	WE 10 SR Keg
	12	R 3/8 Keg	38	21,5	28	12	19	24	630	WE 12 SR Keg
	14	R 1/2 Keg	40	22,0	32	14	19	27	630	WE 14 SR Keg
	16	R 1/2 Keg	43	24,5	32	14	24	30	400	WE 16 SR Keg
	20	R 3/4 Keg	48	26,5	42	16	27	36	400	WE 20 SR Keg
	25	R 1 Keg	54	30,0	48	18	36	46	400	WE 25 SR Keg
	30	R 1.1/4 Keg	62	35,5	57	20	41	50	400	WE 30 SR Keg
	38	R 1.1/2 Keg	72	41,0	63	22	50	60	315	WE 38 SR Keg

ALSO AVAILABLE IN METRIC STUD / BSP STUD —PLEASE ASK SEPERATELY

MALE BRANCH TEE—TE—R- Keg

MALE STUD BRANCH TEE
THREAD: BSPT



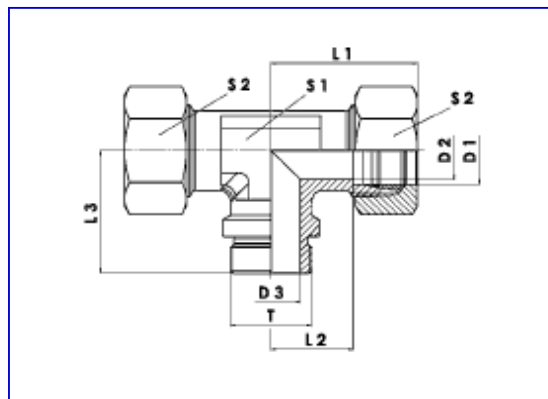
3.22

SERIES	D1	T	D2	D3	L1	L2	L3	i	S1	S2	WT/SET in gm	BAR	ME PART NO.
LL	4	R 1/8 " keg.	3	4	21	11	17	8	9	10	30	100	TE 4 LLR 1/8 keg.
	6	R 1/8 " keg.	4,5	4,5	21	9,5	17	8	9	12	35	100	TE 6 LLR 1/8 keg.
	8	R 1/8 " keg.	6	6	23	11,5	20	8	12	14	45	100	TE 8 LLR 1/8 keg.
L	6	R 1/8 " keg.	4	4	27	12	20	8	12	14	61	315	TE 6 LR 1/8 keg.
	8	R 1/4 " keg.	6	6	29	14	26	12	12	17	92	315	TE 8 LR 1/4 keg.
	10	R 1/4 " keg.	8	7	30	15	27	12	14	19	85	315	TE 10 LR 1/4 keg.
	12	R 3/8 " keg.	10	9	32	17	28	12	17	22	118	315	TE 12 LR 3/8 keg.
	15	R 1/2 " keg.	12	11	36	21	34	14	19	27	206	315	TE 15 LR 1/2 keg.
	18	R 1/2 " keg.	15	14	40	23,5	36	14	24	32	284	315	TE 18 LR 1/2 keg.
S	6	R 1/4 " keg.	4	4	31	16	26	12	12	17	110	400	TE 6 SR 1/4 keg.
	8	R 1/4 " keg.	5	5	32	17	27	12	14	19	107	400	TE 8 SR 1/4 keg.
	10	R 3/8 " keg.	7	7	34	17,5	28	12	17	22	150	400	TE 10 SR 3/8 keg.
	12	R 3/8 " keg.	8	8	38	21,5	28	12	17	24	180	400	TE 12 SR 3/8 keg.
	14	R 1/2 " keg.	10	10	40	22	32	14	19	27	248	400	TE 14 SR 1/2 keg.
	16	R 1/2 " keg.	12	12	43	24,5	32	14	24	30	318	400	TE 16 SR 1/2 keg.

ALSO AVAILABLE IN METRIC STUD / BSP STUD —PLEASE ASK SEPERATELY

MALE BRANCH TEE—TE—R—BSP

MALE STUD BRANCH TEE
THREAD: BSP



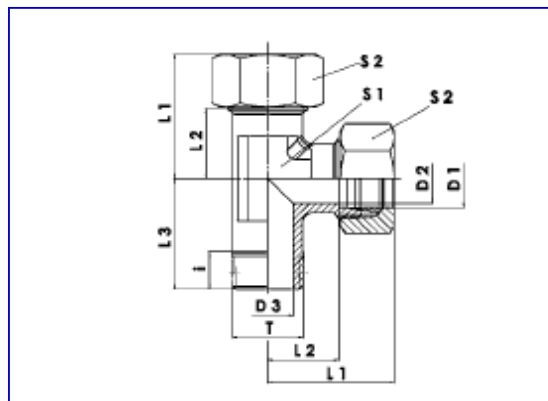
3.23

SERIES	D1	T	D2	D3	L1	L2	L3	i	S1	S2	WT/SET IN gm	BAR	ME PART NO.
L	22	G 3/4 "	19	18	44	27,5	26	16	27	36	387	160	TE 22 LR 3/4
	28	G 1 "	24	23	47	30,5	30	18	36	41	238	160	TE 28 LR 1
	35	G 1.1/4 "	30	30	56	34,5	34	20	41	50	868	160	TE 35 LR 1.1/4
	42	G 1.1/2 "	36	36	63	40	39	22	50	60	1325	160	TE 42 LR 1.1/2
S	20	G 3/4 "	16	16	48	26,5	26	16	27	36	494	400	TE 20 SR 3/4
	25	G 1 "	20	20	54	30	30	18	36	46	916	250	TE 25 SR 1
	30	G 1.1/4 "	25	25	62	35,5	34	20	41	50	1239	160	TE 30 SR 1.1/4
	38	G 1.1/2 "	32	32	72	41	39	22	50	60	1844	160	TE 38 SR 1.1/2

ALSO AVAILABLE IN METRIC STUD / BSP STUD —PLEASE ASK SEPERATELY

MALE RUN TEE—LE—R- Keg

MALE STUD RUN TEE
THREAD: BSPT



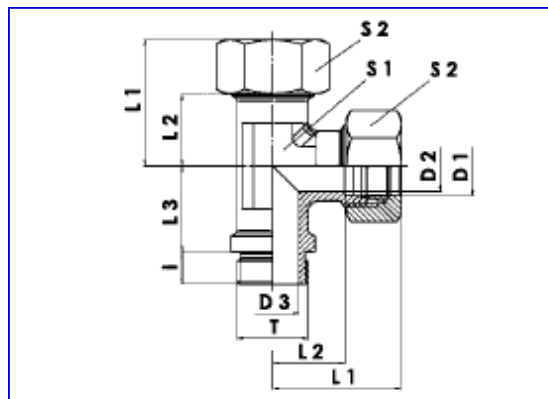
3.24

SERIES	D1	T	D2	D3	L1	L2	L3	i	S1	S2	WT/SET IN gm	BAR	ME PART NO.
LL	4	R 1/8 " keg.	3	4	21	11	17	8	9	10	29	100	LE 4 LLR 1/8 keg.
	6	R 1/8 " keg.	4,5	4,5	21	10	17	8	9	12	35	100	LE 6 LLR 1/8 keg.
	8	R 1/8 " keg.	6	6	23	12	20	8	12	14	44	100	LE 8 LLR 1/8 keg.
L	6	R 1/8 " keg.	4	4	27	12	20	8	12	14	63	315	LE 6 LR 1/8 keg.
	8	R 1/4 " keg.	6	6	29	14	26	12	12	17	91	315	LE 8 LR 1/4 keg.
	10	R 1/4 " keg.	8	7	30	15	27	12	14	19	92	315	LE 10 LR 1/4 keg.
	12	R 3/8 " keg.	10	9	32	17	28	12	17	22	117	315	LE 12 LR 3/8 keg.
	15	R 1/2 " keg.	12	11	36	21	34	14	19	27	208	315	LE 15 LR 1/2 keg.
	18	R 1/2 " keg.	15	14	40	23,5	36	14	24	32	280	315	LE 18 LR 1/2 keg.
S	6	R 1/4 " keg.	4	4	31	16	26	12	12	17	108	400	LE 6 SR 1/4 keg.
	8	R 1/4 " keg.	5	5	32	17	27	12	14	19	108	400	LE 8 SR 1/4 keg.
	10	R 3/8 " keg.	7	7	34	17,5	28	12	17	22	150	400	LE 10 SR 3/8 keg.
	12	R 3/8 " keg.	8	8	38	21,5	28	12	17	24	177	400	LE 12 SR 3/8 keg.
	14	R 1/2 " keg.	10	10	40	22	32	14	19	27	244	400	LE 14 SR 1/2 keg.
	16	R 1/2 " keg.	12	12	43	24,5	32	14	24	30	336	400	LE 16 SR 1/2 keg.

ALSO AVAILABLE IN METRIC STUD / BSP STUD —PLEASE ASK SEPERATELY

MALE RUN TEE—LE—R— BSP

MALE STUD RUN TEE
THREAD: BSP

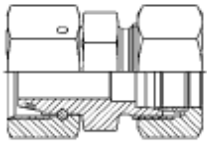
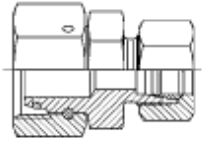
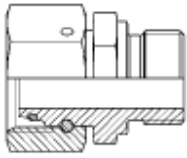
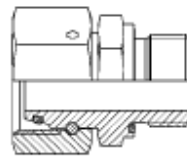
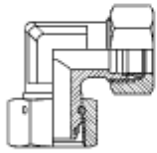
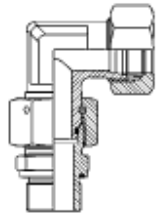
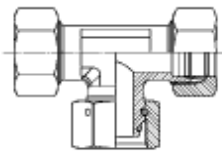
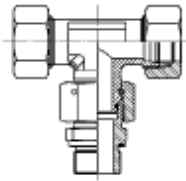
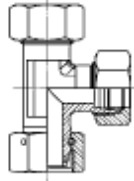
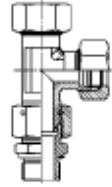


3.25

SERIES	D1	T	D2	D3	L1	L2	L3	i	S1	S2	WT/SET IN gm	BAR	ME PART NO.
L	22	G 3/4 "	19	18	44	27,5	26	16	27	36	387	160	LE 22 LR 3/4
	28	G 1/1 "	24	23	47	30,5	30	18	36	41	238	160	LE 28 LR 1/1
	35	G 1.1/4 "	30	30	56	34,5	34	20	41	50	868	160	LE 35 LR 1.1/4
	42	G 1.1/2 "	36	36	63	40	39	22	50	60	1325	160	LE 42 LR 1.1/2
S	20	G 3/4 "	16	16	48	26,5	26	16	27	36	494	400	LE 20 SR 3/4
	25	G 1/1 "	20	20	54	30	30	18	36	46	916	250	LE 25 SR 1/1
	30	G 1.1/4 "	25	25	62	35,5	34	20	41	50	1239	160	LE 30 SR 1.1/4
	38	G 1.1/2 "	32	32	72	41	39	22	50	60	1844	160	LE 38 SR 1.1/2

ALSO AVAILABLE IN METRIC STUD / BSP STUD —PLEASE ASK SEPERATELY

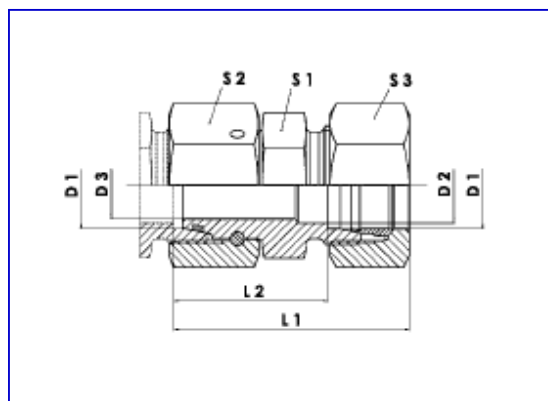
TUBE FITTINGS—SINGLE FERRULE DIN2353—SWIVEL ‘O’ RING

ME PART NO.—PAGE NO.		ME PART NO.—PAGE NO.	
GE-D 4.1		RED 4.2	
EGV-R 4.6		EGV-R -ED 4.7	
EW 4.8		EW-R-ED 4.9	
ET 4.10		ET-R-ED 4.11	
EL 4.12		EL-R-ED 4.13	

SWIVEL - CONNECTOR-GED

GED

Distance Piece Adaptor
with 24° DKO-Swivel and O-Ring
L and S - Series



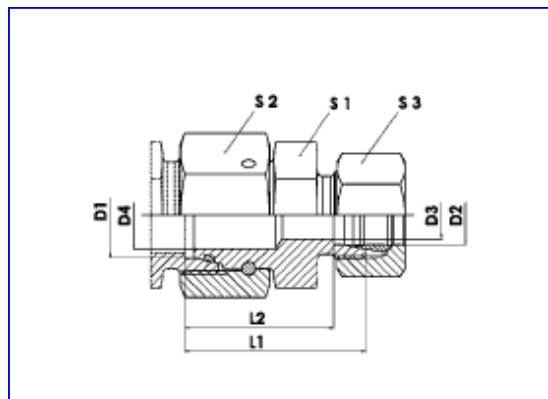
SERIES	D1	D2	D3	L1	L2	S1	S2	S3	WT/SET IN gm	BAR	ME PART NO.
L	6	4	2,5	51	36	12	17	14	45	315	GED 6 L
	8	6	4,0	51	36	14	17	17	63	315	GED 8 L
	10	8	6,0	51	36	17	19	19	81	315	GED 10 L
	12	10	8,0	51	36	19	22	22	104	315	GED 12 L
	15	12	10,0	51	36	24	27	27	165	315	GED 15 L
	18	15	13,0	52	36	27	32	32	221	315	GED 18 L
	22	19	17,0	56	40	32	36	36	299	160	GED 22 L
	28	24	22,0	57	40	41	41	41	377	160	GED 28 L
	35	30	28,0	72	50	46	50	50	625	160	GED 35 L
	42	36	34,0	83	60	55	60	60	1041	160	GED 42 L
S	6	4	2,5	51	36	14	17	17	67	630	GED 6 S
	8	5	4,0	51	36	17	19	19	87	630	GED 8 S
	10	7	6,0	52	36	19	22	22	115	630	GED 10 S
	12	8	8,0	52	36	22	24	24	135	630	GED 12 S
	14	10	9,0	58	40	24	27	27	190	630	GED 14 S
	16	12	11,0	58	40	27	30	30	238	400	GED 16 S
	20	16	14,0	68	46	32	36	36	378	400	GED 20 S
	25	20	18,0	74	50	41	46	46	681	400	GED 25 S
	30	25	23,0	83	56	46	50	50	839	400	GED 30 S
	38	32	30,0	91	60	55	60	60	1233	315	GED 38 S

4.1

TUBE END REDUCER-RED

RED

Tube End Reducer
with 24° DKO-Swivel and O-Ring
L - Series



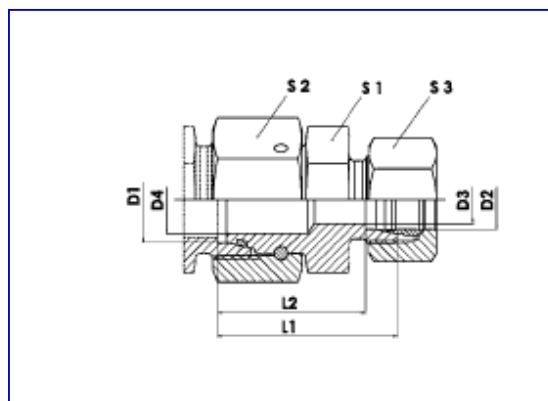
SERIES	D1	D2	D3	D4	L1	L2	S1	S2	S3	WT/SET IN gm	BAR	ME PART NO.
L	8	6	4,0	4,0	38,0	23,5	12,0	17,0	14,0	41	315	RED 8 / 6 L
	10	6	4,0	6,0	40,0	25,0	14,0	19,0	14,0	48	315	RED 10 / 6 L
	10	8	6,0	6,0	40,0	25,0	14,0	19,0	17,0	55	315	RED 10 / 8 L
	12	6	4,0	8,0	40,0	25,0	17,0	22,0	14,0	61	315	RED 12 / 6 L
	12	8	6,0	8,0	40,0	25,0	17,0	22,0	17,0	66	315	RED 12 / 8 L
	12	10	8,0	8,0	41,0	26,0	17,0	22,0	19,0	72	315	RED 12 / 10 L
	15	6	4,0	10,0	43,0	28,5	19,0	27,0	14,0	93	315	RED 15 / 6 L
	15	8	6,0	10,0	43,0	28,5	19,0	27,0	17,0	102	315	RED 15 / 8 L
	15	10	8,0	10,0	44,0	29,5	19,0	27,0	19,0	104	315	RED 15 / 10 L
	15	12	10,0	10,0	44,0	29,5	19,0	27,0	22,0	112	315	RED 15 / 12 L
	18	6	4,0	13,0	43,0	28,0	24,0	32,0	14,0	121	315	RED 18 / 6 L
	18	8	6,0	13,0	43,0	28,0	24,0	32,0	17,0	128	315	RED 18 / 8 L
	18	10	8,0	13,0	44,0	29,0	24,0	32,0	19,0	131	315	RED 18 / 10 L
	18	12	10,0	13,0	44,0	29,0	24,0	32,0	22,0	139	315	RED 18 / 12 L
	18	15	12,0	13,0	45,0	30,0	24,0	32,0	27,0	162	315	RED 18 / 15 L
	22	6	4,0	17,0	47,0	32,0	27,0	36,0	14,0	170	160	RED 22 / 6 L
	22	8	6,0	17,0	47,0	32,0	27,0	36,0	17,0	175	160	RED 22 / 8 L
	22	10	8,0	17,0	48,0	33,0	27,0	36,0	19,0	180	160	RED 22 / 10 L
	22	12	10,0	17,0	48,0	33,0	27,0	36,0	22,0	186	160	RED 22 / 12 L
	22	15	12,0	17,0	49,0	34,0	27,0	36,0	27,0	211	160	RED 22 / 15 L
22	18	15,0	17,0	50,0	33,5	27,0	36,0	32,0	235	160	RED 22 / 18 L	

4.2

TUBE END REDUCER-RED

RED

Tube End Reducer
with 24° DKO-Swivel and O-Ring
L - Series



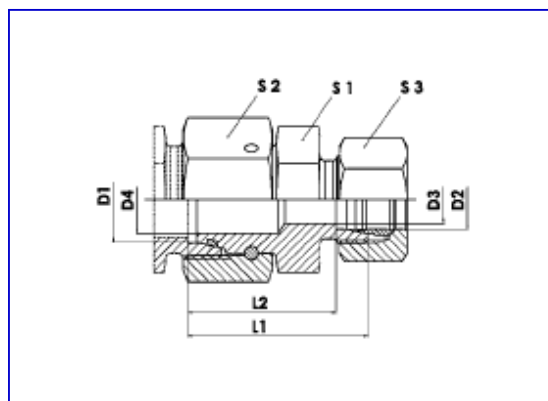
SERIES	D1	D2	D3	D4	L1	L2	S1	S2	S3	WT/SET IN gm	BAR	ME PART NO.
L	28	6	4,0	22,0	49,0	34,0	32,0	41,0	14,0	231	160	RED 28 / 6 L
	28	8	6,0	22,0	49,0	34,0	32,0	41,0	17,0	238	160	RED 28 / 8 L
	28	10	8,0	22,0	50,0	35,0	32,0	41,0	19,0	234	160	RED 28 / 10 L
	28	12	10,0	22,0	50,0	35,0	32,0	41,0	22,0	242	160	RED 28 / 12 L
	28	15	12,0	22,0	51,0	36,0	32,0	41,0	27,0	265	160	RED 28 / 15 L
	28	18	15,0	22,0	52,0	35,5	32,0	41,0	32,0	288	160	RED 28 / 18 L
	28	22	19,0	22,0	54,0	37,5	32,0	41,0	36,0	311	160	RED 28 / 22 L
	35	6	4,0	28,0	52,0	37,0	41,0	50,0	14,0	330	160	RED 35 / 6 L
	35	8	6,0	28,0	52,0	37,0	41,0	50,0	17,0	335	160	RED 35 / 8 L
	35	10	8,0	28,0	53,0	38,0	41,0	50,0	19,0	339	160	RED 35 / 10 L
	35	12	10,0	28,0	53,0	38,0	41,0	50,0	22,0	353	160	RED 35 / 12 L
	35	15	12,0	28,0	54,0	39,0	41,0	50,0	27,0	375	160	RED 35 / 15 L
	35	18	15,0	28,0	55,0	38,5	41,0	50,0	32,0	396	160	RED 35 / 18 L
	35	22	19,0	28,0	57,0	40,5	41,0	50,0	36,0	420	160	RED 35 / 22 L
	35	28	24,0	28,0	57,0	40,5	41,0	50,0	41,0	425	160	RED 35 / 28 L
	42	6	4,0	34,0	56,0	41,5	50,0	60,0	14,0	512	160	RED 42 / 6 L
	42	8	6,0	34,0	56,0	41,5	50,0	60,0	17,0	537	160	RED 42 / 8 L
	42	10	8,0	34,0	56,0	41,5	50,0	60,0	19,0	558	160	RED 42 / 10 L
	42	12	10,0	34,0	56,0	41,5	50,0	60,0	22,0	567	160	RED 42 / 12 L
	42	15	12,0	34,0	58,0	42,5	50,0	60,0	27,0	581	160	RED 42 / 15 L
	42	18	15,0	34,0	58,0	42,0	50,0	60,0	32,0	612	160	RED 42 / 18 L
42	22	19,0	34,0	60,0	44,0	50,0	60,0	36,0	632	160	RED 42 / 22 L	
42	28	24,0	34,0	61,0	44,0	50,0	60,0	41,0	637	160	RED 42 / 28 L	
42	35	30,0	34,0	65,0	43,0	50,0	60,0	50,0	698	160	RED 42 / 35 L	

4.3

TUBE END REDUCER-RED

RED

Tube End Reducer
with 24° DKO-Swivel and O-Ring
S - Series



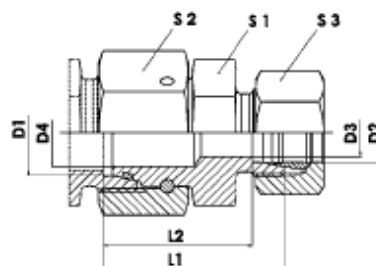
SERIES	D1	D2	D3	D4	L1	L2	S1	S2	S3	WT/SET IN gm	BAR	ME PART NO.				
S	8	6	4,0	4,0	42,0	27,0	14,0	19,0	17,0	61	630	RED	8	/	6	S
	10	6	4,0	6,0	42,0	27,5	17,0	22,0	17,0	74	630	RED	10	/	6	S
	10	8	5,0	6,0	42,0	27,5	17,0	22,0	19,0	81	630	RED	10	/	8	S
	12	6	4,0	8,0	44,0	29,0	17,0	24,0	17,0	85	630	RED	12	/	6	S
	12	8	5,0	8,0	44,0	29,0	17,0	24,0	19,0	91	630	RED	12	/	8	S
	12	10	7,0	8,0	46,0	29,5	19,0	24,0	22,0	109	630	RED	12	/	10	S
	14	6	4,0	9,0	46,0	31,5	19,0	27,0	17,0	107	630	RED	14	/	6	S
	14	8	5,0	9,0	46,0	31,5	19,0	27,0	19,0	113	630	RED	14	/	8	S
	14	10	7,0	9,0	47,0	31,0	19,0	27,0	22,0	125	630	RED	14	/	10	S
	14	12	8,0	9,0	47,0	31,0	22,0	27,0	24,0	138	630	RED	14	/	12	S
	16	6	4,0	11,0	47,0	32,0	22,0	30,0	17,0	131	400	RED	16	/	6	S
	16	8	5,0	11,0	47,0	32,0	22,0	30,0	19,0	137	400	RED	16	/	8	S
	16	10	7,0	11,0	48,0	31,5	22,0	30,0	22,0	149	400	RED	16	/	10	S
	16	12	8,0	11,0	48,0	31,5	22,0	30,0	24,0	156	400	RED	16	/	12	S
	16	14	10,0	11,0	51,0	33,0	24,0	30,0	27,0	185	400	RED	16	/	14	S
	20	6	4,0	14,0	51,0	36,0	27,0	36,0	17,0	191	400	RED	20	/	6	S
	20	8	5,0	14,0	51,0	36,0	27,0	36,0	19,0	197	400	RED	20	/	8	S
	20	10	7,0	14,0	52,0	35,5	27,0	36,0	22,0	208	400	RED	20	/	10	S
	20	12	8,0	14,0	52,0	35,5	27,0	36,0	24,0	215	400	RED	20	/	12	S
	20	14	10,0	14,0	55,0	37,0	27,0	36,0	27,0	239	400	RED	20	/	14	S
20	16	12,0	14,0	55,0	36,5	27,0	36,0	30,0	254	400	RED	20	/	16	S	

4.4

TUBE END REDUCER-RED

RED

Tube End Reducer
with 24° DKO-Swivel and O-Ring
S - Series



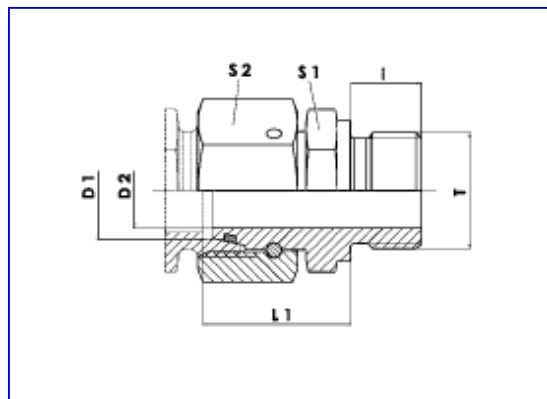
SERIES	D1	D2	D3	D4	L1	L2	S1	S2	S3	WT/SET IN gm	BAR	ME PART NO.				
S	25	6	4,0	18,0	53,0	38,5	32,0	46,0	17,0	313	400	RED	25	/	6	S
	25	8	5,0	18,0	53,0	38,5	32,0	46,0	19,0	318	400	RED	25	/	8	S
	25	10	7,0	18,0	54,0	38,0	32,0	46,0	22,0	330	400	RED	25	/	10	S
	25	12	8,0	18,0	54,0	38,0	32,0	46,0	24,0	337	400	RED	25	/	12	S
	25	14	10,0	18,0	57,0	39,5	32,0	46,0	27,0	360	400	RED	25	/	14	S
	25	16	12,0	18,0	57,0	39,0	32,0	46,0	30,0	376	400	RED	25	/	16	S
	25	20	16,0	18,0	61,0	39,0	32,0	46,0	36,0	428	400	RED	25	/	20	S
	30	6	4,0	23,0	59,0	44,0	41,0	50,0	17,0	431	400	RED	30	/	6	S
	30	8	5,0	23,0	59,0	44,0	41,0	50,0	19,0	427	400	RED	30	/	8	S
	30	10	7,0	23,0	60,0	43,5	41,0	50,0	22,0	439	400	RED	30	/	10	S
	30	12	8,0	23,0	60,0	43,5	41,0	50,0	24,0	443	400	RED	30	/	12	S
	30	14	10,0	23,0	63,0	45,0	41,0	50,0	27,0	465	400	RED	30	/	14	S
	30	16	12,0	23,0	63,0	44,5	41,0	50,0	30,0	484	400	RED	30	/	16	S
	30	20	16,0	23,0	66,0	44,5	41,0	50,0	36,0	534	400	RED	30	/	20	S
	30	25	20,0	23,0	69,0	45,0	41,0	50,0	46,0	654	400	RED	30	/	25	S
	38	6	4,0	30,0	62,0	47,5	50,0	60,0	17,0	575	315	RED	38	/	6	S
	38	8	5,0	30,0	62,0	47,5	50,0	60,0	19,0	604	315	RED	38	/	8	S
	38	10	7,0	30,0	63,0	47,0	50,0	60,0	22,0	613	315	RED	38	/	10	S
	38	12	8,0	30,0	63,0	47,0	50,0	60,0	24,0	615	315	RED	38	/	12	S
	38	14	10,0	30,0	66,0	48,5	50,0	60,0	27,0	636	315	RED	38	/	14	S
38	16	12,0	30,0	66,0	48,0	50,0	60,0	30,0	652	315	RED	38	/	16	S	
38	20	16,0	30,0	70,0	48,0	50,0	60,0	36,0	714	315	RED	38	/	20	S	
38	25	20,0	30,0	73,0	48,5	50,0	60,0	46,0	830	315	RED	38	/	25	S	
38	30	25,0	30,0	76,0	49,0	50,0	60,0	50,0	863	315	RED	38	/	30	S	
S/L	38	22	19,0	30,0	56,5	49,0	50,0	60,0	36,0	480	160	RED	38S	/	22	L

4.5

SWIVEL MALE CONNECTOR-BSP-EGV-R

EGV- R

Swivel Connector
with 24° DKO-Swivel and O-Ring
L and S - Series
Thread:BSPP
Metal Sealing Edge Form B



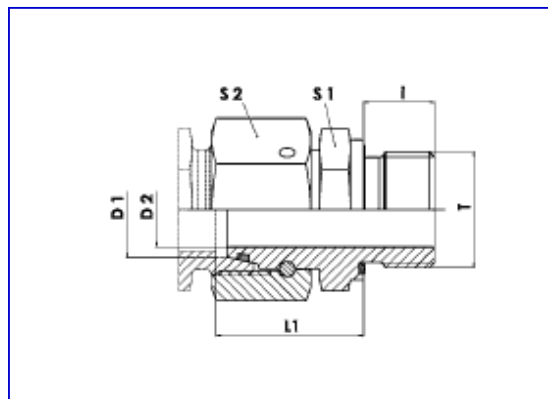
SERIES	D1	T	D2	L1	I	S1	S2	WT/SET IN gm	BAR	ME PART NO.			
L	6	G 1/8 "	2,5	24,5	8	14	17	27	315	EGV	6	LR	1/8
	8	G 1/4 "	4	29,5	12	19	17	28	315	EGV	8	LR	1/4
	10	G 1/4 "	6	27,5	12	19	19	54	315	EGV	10	LR	1/4
	10	G 3/8 "	6	29,0	12	22	19	70	315	EGV	10	LR	3/8
	12	G 3/8 "	8	34,0	12	22	22	95	315	EGV	12	LR	3/8
	12	G 1/4 "	6	27,5	12	19	22	65	315	EGV	12	LR	1/4
	12	G 1/2 "	8	29,5	14	27	22	114	315	EGV	12	LR	1/2
	15	G 1/2 "	10	32,0	14	27	27	137	315	EGV	15	LR	1/2
	18	G 1/2 "	13	31,5	14	27	32	143	315	EGV	18	LR	1/2
	18	G 3/4 "	13	29,5	16	32	32	182	160	EGV	18	LR	3/4
	22	G 3/4 "	17	32,5	16	32	36	200	160	EGV	22	LR	3/4
	28	G 1/1 "	22	35,0	18	41	41	289	160	EGV	28	LR	1/1
	35	G 1.1/4 "	28	42,5	20	50	50	500	160	EGV	35	LR	1.1/4
	42	G 1.1/2 "	34	46,5	22	55	60	718	160	EGV	42	LR	1.1/2
S	6	G 1/4 "	2,5	27,0	12	19	17	53	630	EGV	6	SR	1/4
	8	G 1/4 "	4	29,5	12	19	19	64	630	EGV	8	SR	1/4
	10	G 3/8 "	6	32,0	12	22	22	93	630	EGV	10	SR	3/8
	12	G 3/8 "	8	34,0	12	22	24	100	630	EGV	12	SR	3/8
	12	G 1/4 "	5	31,5	12	19	24	140	630	EGV	12	SR	1/4
	12	G 1/2 "	8	35,0	14	27	24	140	630	EGV	12	SR	1/2
	14	G 1/2 "	9	36,5	14	27	27	157	630	EGV	14	SR	1/2
	16	G 1/2 "	11	37,0	14	27	30	170	400	EGV	16	SR	1/2
	20	G 3/4 "	14	43,0	16	32	36	273	400	EGV	20	SR	3/4
	25	G 1/1 "	18	48,0	18	41	46	493	400	EGV	25	SR	1/1
	30	G 1.1/4 "	23	51,0	20	50	50	691	400	EGV	30	SR	1.1/4
	38	G 1.1/2 "	30	60,0	22	55	60	934	315	EGV	38	SR	1.1/2

4.6

SWIVEL MALE CONNECTOR-BSP-EGV-R-ED

EGV - R - ED

Swivel Connector
with 24° DKO-Swivel and O-Ring
L and S - Series
Thread:BSPP
Sealing By An Profiled Ring DIN
3869



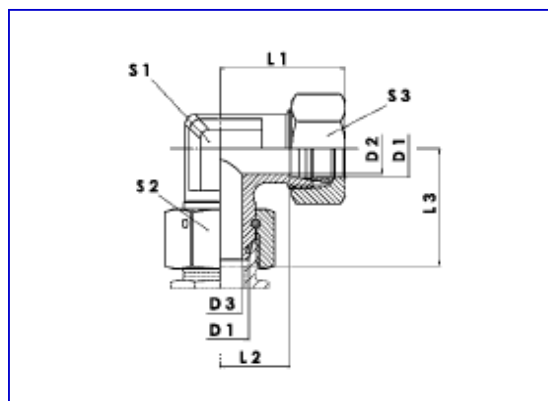
SERIES	D1	T		D2	L1	i	S1	S2	WT/SET IN gm	BAR	ME PART NO.				
L	6	G	1/8"	2,5	24,5	8	14	17	27	315	EGV	6	LR	1/8	ED
	8	G	1/4"	4	29,5	12	19	17	28	315	EGV	8	LR	1/4	ED
	10	G	1/4"	6	27,5	12	19	19	54	315	EGV	10	LR	1/4	ED
	10	G	3/8"	6	29,0	12	22	19	70	315	EGV	10	LR	3/8	ED
	12	G	3/8"	8	34,0	12	22	22	95	315	EGV	12	LR	3/8	ED
	12	G	1/4"	6	27,5	12	19	22	65	315	EGV	12	LR	1/4	ED
	12	G	1/2"	8	29,5	14	27	22	114	315	EGV	12	LR	1/2	ED
	15	G	1/2"	10	32,0	14	27	27	137	315	EGV	15	LR	1/2	ED
	18	G	1/2"	13	31,5	14	27	32	143	315	EGV	18	LR	1/2	ED
	18	G	3/4"	13	29,5	16	32	32	182	160	EGV	18	LR	3/4	ED
	22	G	3/4"	17	32,5	16	32	36	200	160	EGV	22	LR	3/4	ED
	28	G	1/1"	22	35,0	18	41	41	289	160	EGV	28	LR	1/1	ED
	35	G	1.1/4"	28	42,5	20	50	50	500	160	EGV	35	LR	1.1/4	ED
	42	G	1.1/2"	34	46,5	22	55	60	718	160	EGV	42	LR	1.1/2	ED
S	6	G	1/4"	2,5	27,0	12	19	17	53	630	EGV	6	SR	1/4	ED
	8	G	1/4"	4	29,5	12	19	19	64	630	EGV	8	SR	1/4	ED
	10	G	3/8"	6	32,0	12	22	22	93	630	EGV	10	SR	3/8	ED
	12	G	3/8"	8	34,0	12	22	24	100	630	EGV	12	SR	3/8	ED
	12	G	1/4"	5	31,5	12	19	24	140	630	EGV	12	SR	1/4	ED
	12	G	1/2"	8	35,0	14	27	24	140	630	EGV	12	SR	1/2	ED
	14	G	1/2"	9	36,5	14	27	27	157	630	EGV	14	SR	1/2	ED
	16	G	1/2"	11	37,0	14	27	30	170	400	EGV	16	SR	1/2	ED
	20	G	3/4"	14	43,0	16	32	36	273	400	EGV	20	SR	3/4	ED
	25	G	1/1"	18	48,0	18	41	46	493	400	EGV	25	SR	1/1	ED
	30	G	1.1/4"	23	51,0	20	50	50	691	315	EGV	30	SR	1.1/4	ED
	38	G	1.1/2"	30	60,0	22	55	60	934	315	EGV	38	SR	1.1/2	ED

4.7

SWIVEL ELBOW-EW

EW

Swivel Nut Elbow
with 24° DKO-Swivel and O-Ring
L and S - Series



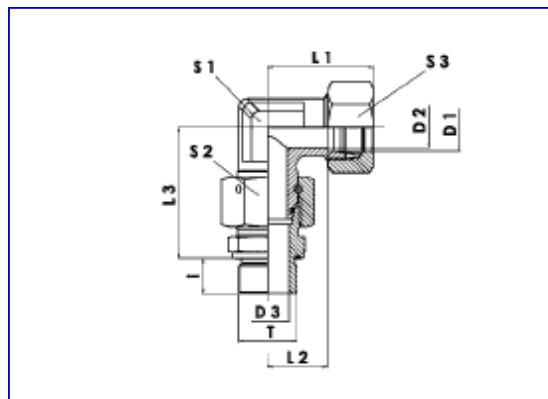
SERIES	D1	D2	L1	L2	L3	S1	S2	S3	WT/SET IN gm	BAR	ME PART NO.		
L	6	4	27	12,0	26,0	12	17	14	46	315	EW	6	L
	8	6	29	14,0	27,5	12	17	17	60	315	EW	8	L
	10	8	30	15,0	29,0	14	19	19	79	315	EW	10	L
	12	10	32	17,0	29,5	17	22	22	110	315	EW	12	L
	15	12	36	21,0	32,5	19	27	27	175	315	EW	15	L
	18	15	40	23,5	35,5	24	32	32	265	315	EW	18	L
	22	19	44	27,5	38,5	27	36	36	347	160	EW	22	L
	28	24	47	30,5	41,5	36	41	41	468	160	EW	28	L
	35	30	56	34,5	51,0	41	50	50	750	160	EW	35	L
	42	36	63	40,0	56,0	50	60	60	1232	160	EW	42	L
S	6	4	31	16,0	27,0	12	17	17	67	630	EW	6	S
	8	5	32	17,0	27,5	14	19	19	88	630	EW	8	S
	10	6	34	17,5	30,0	17	22	22	126	630	EW	10	S
	12	8	38	21,5	31,0	17	24	24	145	630	EW	12	S
	14	9	40	22,0	35,0	19	27	27	203	630	EW	14	S
	16	12	43	24,5	36,5	24	30	30	284	400	EW	16	S
	20	16	48	26,5	44,5	27	36	36	422	400	EW	20	S
	25	20	54	30,0	50,0	36	46	46	762	400	EW	25	S
	30	25	62	35,5	55,0	41	50	50	982	400	EW	30	S
	38	32	72	41,0	63,0	50	60	60	1584	315	EW	38	S

4.8

SWIVEL ELBOW CONNECTOR-EW-R

EW - R - ED

Assembled Adjustable Swivel
Elbow
with 24° DKO-Swivel and O-Ring
L and S - Series
Thread:BSPP
Sealing By An Profiled Ring DIN
3869



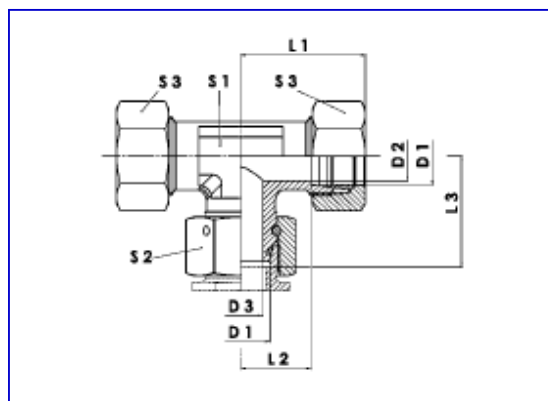
SERIES	D1	T	D2	D3	L1	L2	L3	I	S1	S2	S3	WT/SET IN gm	BAR	ME PART NO.
L	6	G 1/8 "	4	4	27	12,0	34,5	8	12	17	14	59	315	EW-R 6 LR 1/8 ED
	8	G 1/4 "	6	6	29	14,0	37,5	12	12	17	19	86	315	EW-R 8 LR 1/4 ED
	10	G 1/4 "	8	6	30	15,0	40,0	12	14	19	19	108	315	EW-R 10 LR 1/4 ED
	12	G 3/8 "	10	9	32	17,0	42,0	12	17	22	22	151	315	EW-R 12 LR 3/8 ED
	15	G 1/2 "	12	11	36	21,0	46,5	14	19	27	27	246	315	EW-R 15 LR 1/2 ED
	18	G 1/2 "	15	14	40	23,5	50,0	14	24	32	27	336	315	EW-R 18 LR 1/2 ED
	22	G 3/4 "	19	18	44	27,5	55,0	16	27	36	32	449	160	EW-R 22 LR 3/4 ED
	28	G 1/1 "	24	23	47	30,5	59,0	18	36	41	41	637	160	EW-R 28 LR 1/1 ED
	35	G 1.1/4 "	30	30	56	34,5	68,5	20	41	50	50	991	160	EW-R 35 LR 1.1/4 ED
	42	G 1.1/2 "	36	36	63	40,0	75,0	22	50	60	55	1580	160	EW-R 42 LR 1.1/2 ED
S	6	G 1/4 "	4	4	31	16,0	40,0	12	12	17	19	102	630	EW-R 6 SR 1/4 ED
	8	G 1/4 "	5	5	32	17,0	42,5	12	14	19	19	129	630	EW-R 8 SR 1/4 ED
	10	G 3/8 "	6	7	34	17,5	45,0	12	17	22	22	182	630	EW-R 10 SR 3/8 ED
	12	G 3/8 "	8	8	38	21,5	48,0	12	17	24	22	208	630	EW-R 12 SR 3/8 ED
	14	G 1/2 "	9	10	40	22,0	54,0	14	19	27	27	299	630	EW-R 14 SR 1/2 ED
	16	G 1/2 "	12	12	43	24,5	55,0	14	24	30	27	375	400	EW-R 16 SR 1/2 ED
	20	G 3/4 "	16	16	48	26,5	65,0	16	27	36	32	571	400	EW-R 20 SR 3/4 ED
	25	G 1/1 "	20	20	54	30,0	73,0	18	36	46	41	1028	400	EW-R 25 SR 1/1 ED
	30	G 1.1/4 "	25	25	62	35,5	78,5	20	41	50	50	1401	400	EW-R 30 SR 1.1/4 ED
	38	G 1.1/2 "	32	32	72	41,0	89,0	22	50	60	55	2146	315	EW-R 38 SR 1.1/2 ED

4.9

SWIVEL BRANCH TEE-ET

ET

Swivel Nut Branch Tee
with 24° DKO-Swivel and O-Ring
L and S - Series



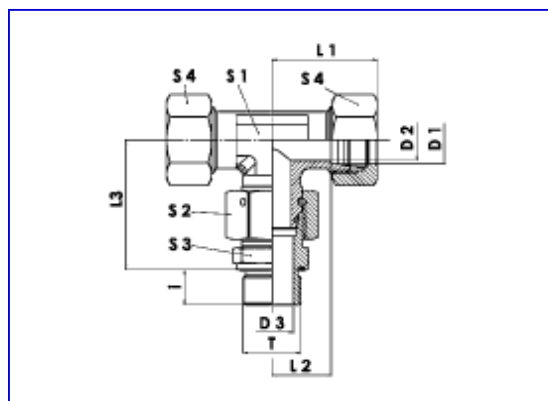
4.10

SERIES	D1	D2	D3	L1	L2	L3	S1	S2	S3	WT/SET IN gm	BAR	ME PART NO.		
L	6	4	2,5	27	12,0	26,0	12	17	17	65	315	ET	6	L
	8	6	4	29	14,0	27,5	12	17	17	87	315	ET	8	L
	10	8	6	30	15,0	29,0	14	19	19	113	315	ET	10	L
	12	10	8	32	17,0	29,5	17	22	22	154	315	ET	12	L
	15	12	10	36	21,0	32,5	19	27	27	252	315	ET	15	L
	18	15	13	40	23,5	35,5	24	32	32	374	315	ET	18	L
	22	19	17	44	27,5	38,5	27	36	36	487	160	ET	22	L
	28	24	22	47	30,5	41,5	36	41	41	646	160	ET	28	L
	35	30	28	56	34,5	51,0	41	50	50	993	160	ET	35	L
	42	36	34	63	40,0	56,0	40	60	60	1609	160	ET	42	L
S	6	4	2,5	31	16,0	27,0	12	17	17	100	630	ET	6	S
	8	5	4	32	17,0	27,5	14	19	19	125	630	ET	8	S
	10	6	6	34	17,5	30,0	17	22	22	181	630	ET	10	S
	12	8	8	38	21,5	31,0	17	24	24	211	630	ET	12	S
	14	9	9	40	22,0	35,0	19	27	27	287	630	ET	14	S
	16	12	11	43	24,5	36,5	24	30	30	382	400	ET	16	S
	20	16	14	48	26,5	44,5	27	36	36	615	400	ET	20	S
	25	20	18	54	30,0	50,0	36	46	46	1083	400	ET	25	S
	30	25	23	62	35,5	55,0	41	50	50	1382	400	ET	30	S
	38	32	30	72	41,0	63,0	50	60	60	2185	315	ET	38	S

SWIVEL BRANCH TEE CONNECTOR-ET-R-ED

ET - R - ED

Assembled Adjustable Swivel
Branch Tee
with 24° DKO-Swivel and O-Ring
L and S - Series
Thread:BSPP
Sealing By An Profiled Ring DIN
3869



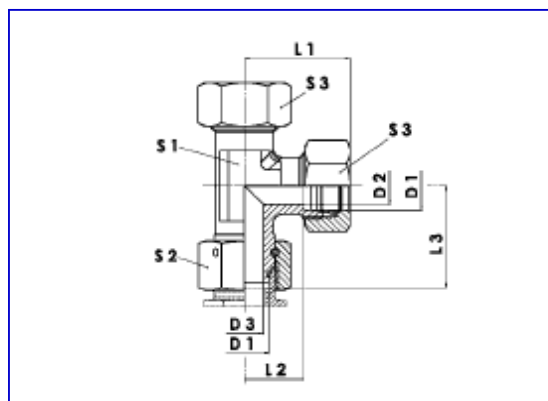
4.11

SERIES	D1	T	D2	D3	L1	L2	L3	I	S1	S2	S3	S4	WT/SET IN gm	BAR	ME PART NO.				
L	6	G 1/8 "	4	4	27	12,0	34,5	8	12	17	14	17	78	315	ET-R	6	LR	1/8	ED
	8	G 1/4 "	6	6	29	14,0	37,5	12	12	17	19	17	114	315	ET-R	8	LR	1/4	ED
	10	G 1/4 "	8	6	30	15,0	40,0	12	14	19	19	19	140	315	ET-R	10	LR	1/4	ED
	12	G 3/8 "	10	9	32	17,0	42,0	12	17	22	22	22	193	315	ET-R	12	LR	3/8	ED
	15	G 1/2 "	12	11	36	21,0	46,5	14	19	27	27	27	317	315	ET-R	15	LR	1/2	ED
	18	G 1/2 "	15	14	40	23,5	50,0	14	24	32	27	32	441	315	ET-R	18	LR	1/2	ED
	22	G 3/4 "	19	18	44	27,5	55,0	16	27	36	32	36	602	160	ET-R	22	LR	3/4	ED
	28	G 1/1 "	24	23	47	30,5	59,0	18	36	41	41	41	805	160	ET-R	28	LR	1/1	ED
	35	G 1.1/4 "	30	30	56	34,5	68,5	20	41	50	50	50	1234	160	ET-R	35	LR	1.1/4	ED
42	G 1.1/2 "	36	36	63	40,0	75,0	22	50	60	50	60	1944	160	ET-R	42	LR	1.1/2	ED	
S	6	G 1/4 "	4	4	31	16,0	40,0	12	12	17	19	17	135	630	ET-R	6	SR	1/4	ED
	8	G 1/4 "	5	5	32	17,0	42,5	12	14	19	19	19	171	630	ET-R	8	SR	1/4	ED
	10	G 3/8 "	6	7	34	17,5	45,0	12	17	22	22	22	237	630	ET-R	10	SR	3/8	ED
	12	G 3/8 "	8	8	38	21,5	48,0	12	17	24	22	24	273	630	ET-R	12	SR	3/8	ED
	14	G 1/2 "	9	10	40	22,0	54,0	14	19	27	27	27	401	630	ET-R	14	SR	1/2	ED
	16	G 1/2 "	12	12	43	24,5	55,0	14	24	30	27	30	491	400	ET-R	16	SR	1/2	ED
	20	G 3/4 "	16	16	48	26,5	65,0	16	27	36	32	36	725	400	ET-R	20	SR	3/4	ED
	25	G 1/1 "	20	20	54	30,0	73,0	18	36	46	36	41	1349	400	ET-R	25	SR	1/1	ED
	30	G 1.1/4 "	25	25	62	35,5	78,5	20	41	50	50	50	1801	400	ET-R	30	SR	1.1/4	ED
	38	G 1.1/2 "	32	32	72	41,0	89,0	22	50	60	55	60	2748	315	ET-R	38	SR	1.1/2	ED

SWIVEL RUN TEE - EL

EL

Swivel Nut Run Tee
with 24° DKO-Swivel and O-Ring
L and S - Series



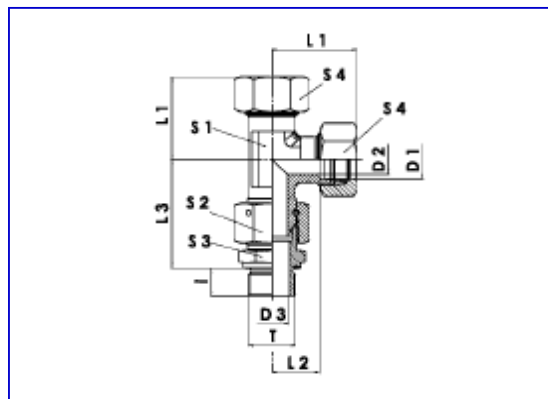
4.12

SERIES	D1	D2	D3	L1	L2	L3	S1	S2	S3	WT/SET IN gm	BAR	ME PART NO.		
L	6	4	2,5	27	12,0	26,0	12	17	17	67	315	EL	6	L
	8	6	4	29	14,0	27,5	12	17	17	87	315	EL	8	L
	10	8	6	30	15,0	29,0	14	19	19	110	315	EL	10	L
	12	10	8	32	17,0	29,5	17	22	22	152	315	EL	12	L
	15	12	10	36	21,0	32,5	19	27	27	244	315	EL	15	L
	18	15	13	40	23,5	35,5	24	32	32	368	315	EL	18	L
	22	19	17	44	27,5	38,5	27	36	36	488	160	EL	22	L
	28	24	22	47	30,5	41,5	36	41	41	633	160	EL	28	L
	35	30	28	56	34,5	51,0	41	50	50	980	160	EL	35	L
42	36	34	63	40,0	56,0	50	60	60	1641	160	EL	42	L	
S	6	4	2,5	31	16,0	27,0	12	17	17	102	630	EL	6	S
	8	5	4	32	17,0	27,5	14	19	19	130	630	EL	8	S
	10	6	6	34	17,5	30,0	17	22	22	186	630	EL	10	S
	12	8	8	38	21,5	31,0	17	24	24	211	630	EL	12	S
	14	9	9	40	22,0	35,0	19	27	27	287	630	EL	14	S
	16	12	11	43	24,5	36,5	24	30	30	403	400	EL	16	S
	20	16	14	48	26,5	44,5	27	36	36	602	400	EL	20	S
	25	20	18	54	30,0	50,0	36	46	46	1086	400	EL	25	S
	30	25	23	62	35,5	55,0	41	50	50	1383	400	EL	30	S
	38	32	30	72	41,0	63,0	50	60	60	2195	315	EL	38	S

24° SWIVEL - CONNECTOR

EL - R - ED

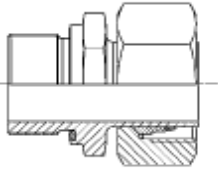
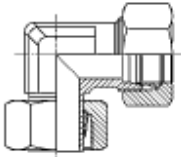
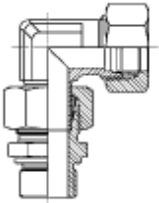
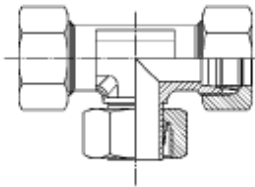
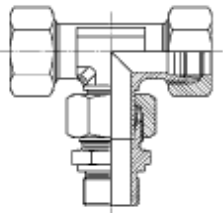
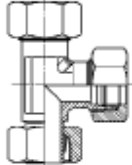
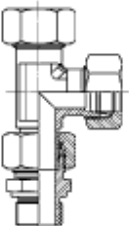
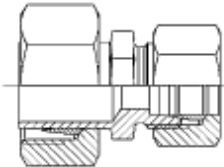
Assembled Adjustable Swivel
Run Tee
with 24° DKO-Swivel and O-Ring
L and S - Series
Thread:BSPP
Sealing By An Profiled Ring DIN
3869



4.13

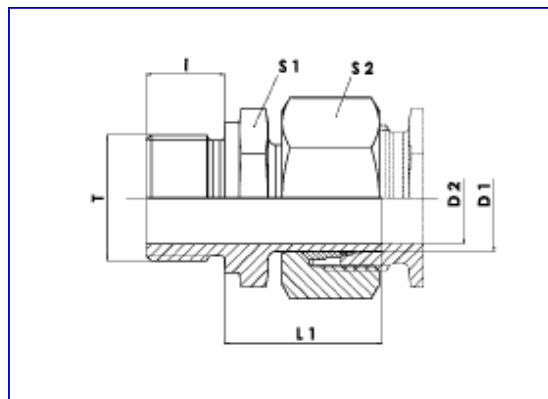
SERIES	D1	T	D2	D3	L1	L2	L3	I	S1	S2	S3	S4	WT/SET IN gm	BAR	ME PART NO.
L	6	G 1/8 "	4	4	27	12,0	34,5	8	12	17	14	17	78	315	EL-R 6 LR 1/8 ED
	8	G 1/4 "	6	6	29	14,0	37,5	12	12	17	19	17	114	315	EL-R 8 LR 1/4 ED
	10	G 1/4 "	8	6	30	15,0	40,0	12	14	19	19	19	139	315	EL-R 10 LR 1/4 ED
	12	G 3/8 "	10	9	32	17,0	42,0	12	17	22	22	22	194	315	EL-R 12 LR 3/8 ED
	15	G 1/2 "	12	11	36	21,0	46,5	14	19	27	27	27	315	315	EL-R 15 LR 1/2 ED
	18	G 1/2 "	15	14	40	23,5	50,0	14	24	32	27	32	439	315	EL-R 18 LR 1/2 ED
	22	G 3/4 "	19	18	44	27,5	55,0	16	27	36	32	36	583	160	EL-R 22 LR 3/4 ED
	28	G 1/1 "	24	23	47	30,5	59,0	18	36	41	41	41	803	160	EL-R 28 LR 1/1 ED
	35	G 1.1/4 "	30	30	56	34,5	68,5	20	41	50	50	50	1252	160	EL-R 35 LR 1.1/4 ED
	42	G 1.1/2 "	36	36	63	40,0	75,0	22	50	60	55	60	1963	160	EL-R 42 LR 1.1/2 ED
S	6	G 1/4 "	4	4	31	16,0	40,0	12	12	17	19	17	134	630	EL-R 6 SR 1/4 ED
	8	G 1/4 "	5	5	32	17,0	42,5	12	14	19	19	19	171	630	EL-R 8 SR 1/4 ED
	10	G 3/8 "	6	7	34	17,5	45,0	12	17	22	22	22	239	630	EL-R 10 SR 3/8 ED
	12	G 3/8 "	8	8	38	21,5	48,0	12	17	24	22	24	273	630	EL-R 12 SR 3/8 ED
	14	G 1/2 "	9	10	40	22,0	54,0	14	19	27	27	27	383	630	EL-R 14 SR 1/2 ED
	16	G 1/2 "	12	12	43	24,5	55,0	14	24	30	27	30	493	400	EL-R 16 SR 1/2 ED
	20	G 3/4 "	16	16	48	26,5	65,0	16	27	36	32	36	751	400	EL-R 20 SR 3/4 ED
	25	G 1/1 "	20	20	54	30,0	73,0	18	36	46	41	46	1352	400	EL-R 25 SR 1/1 ED
	30	G 1.1/4 "	25	25	62	35,5	78,5	20	41	50	50	50	1801	400	EL-R 30 SR 1.1/4 ED
	38	G 1.1/2 "	32	32	72	41,0	89,0	22	50	60	55	60	2756	315	EL-R 38 SR 1.1/2 ED

TUBE FITTINGS—SINGLE FERRULE DIN2353—SWIVEL

ME PART NO.—PAGE NO.		ME PART NO.—PAGE NO.	
EVGE 5.1		EVW 5.2	
EVW-R 5.3		EVT 5.4	
EVT-R 5.5		EVL 5.6	
EVL-R 5.7		KOR 5.8	

STANDPIPE CONNECTOR-EVGE-R

EGVE - R
Standpipe Connector
L and S - Series
Thread:BSPP
Metal Sealing Edge Form B

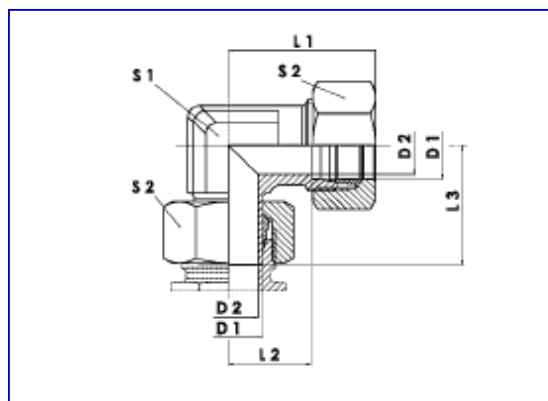


SERIES	D1	T	D2	L1	I	S1	S2	WT/SET IN gm	BAR	ME PART NO.
L	6	G 1/8 "	3,3	24,5	8	14	14	24	215	EGVE-R 6 L R 1/8
	8	G 1/4 "	5	29,5	12	19	17	52	315	EGVE-R 8 L R 1/4
	10	G 1/4 "	6,5	27,5	12	19	19	47	315	EGVE-R 10 L R 1/4
	12	G 3/8 "	8	34	12	22	22	87	315	EGVE-R 12 L R 3/8
	12	G 1/4 "	8	28,5	12	19	22	61	315	EGVE-R 12 L R 1/4
	12	G 1/2 "	8	34,5	14	27	22	121	315	EGVE-R 12 L R 1/2
	15	G 1/2 "	10	31	14	27	27	125	315	EGVE-R 15 L R 1/2
	18	G 1/2 "	13	31,5	14	27	32	132	315	EGVE-R 18 L R 1/2
	22	G 3/4 "	16,5	32,5	16	32	36	183	160	EGVE-R 22 L R 3/4
	28	G 1/1 "	22	35	18	41	41	262	160	EGVE-R 28 L R 1/1
	35	G 1.1/4 "	28	42,5	20	50	50	436	160	EGVE-R 35 L R 1.1/4
42	G 1.1/2 "	34	46,5	22	55	60	615	160	EGVE-R 42 L R 1.1/2	
S	6	G 1/4 "	3,3	27	12	19	17	48	630	EGVE-R 6 S R 1/4
	8	G 1/4 "	4,3	29,5	12	19	19	57	630	EGVE-R 8 S R 1/4
	10	G 3/8 "	6	32	12	22	22	84	630	EGVE-R 10 S R 3/8
	12	G 3/8 "	7,3	34	12	22	24	95	630	EGVE-R 12 S R 3/8
	12	G 1/2 "	7,3	34,5	14	27	24	130	630	EGVE-R 12 S R 1/2
	14	G 1/2 "	9	36,5	14	27	27	149	630	EGVE-R 14 S R 1/2
	16	G 1/2 "	10,5	37	14	27	30	158	400	EGVE-R 16 S R 1/2
	16	G 3/4 "	10,5	39	16	32	30	222	400	EGVE-R 16 S R 3/4
	20	G 3/4 "	13,5	43	16	32	36	254	400	EGVE-R 20 S R 3/4
	25	G 1/1 "	17,5	48	18	41	46	485	400	EGVE-R 25 S R 1/1
	30	G 1.1/4 "	22	51	20	50	50	661	400	EGVE-R 30 S R 1.1/4
38	G 1.1/2 "	28,5	60	22	55	60	962	315	EGVE-R 38 S R 1.1/2	

5.1

SWIVEL ELBOW – EVW

EVW
Standpipe Elbow
L and S - Series



SERIES	D1	D2	L1	L2	L3	S1	S2	WT/SET IN gm	BAR	ME PART NO.		
L	6	4	27	12	26	12	14	44	315	EVW	6	L
	8	6	29	14	27,5	12	17	57	315	EVW	8	L
	10	8	30	15	29	14	19	75	315	EVW	10	L
	12	10	32	17	29,5	17	22	105	315	EVW	12	L
	15	12	36	21	32,5	19	27	166	315	EVW	15	L
	18	15	40	23,5	35,5	24	32	260	315	EVW	18	L
	22	19	44	27,5	38,5	27	36	444	160	EVW	22	L
	28	24	47	30,5	42	36	41	612	160	EVW	28	L
	35	30	56	34,5	51	41	50	693	160	EVW	35	L
	42	36	63	40	60	50	60	1216	160	EVW	42	L
S	6	4	31	16	27	12	17	63	630	EVW	6	S
	8	5	32	17	27,5	14	19	86	630	EVW	8	S
	10	7	34	17,5	31	17	22	129	630	EVW	10	S
	12	8	38	21,5	31	17	24	148	630	EVW	12	S
	14	10	40	22	35	19	27	194	400	EVW	14	S
	16	12	43	24,5	37,5	24	30	283	400	EVW	16	S
	20	16	48	26,5	44,5	27	36	419	400	EVW	20	S
	25	20	54	30	50	36	46	773	400	EVW	25	S
	30	25	62	35,5	55	41	50	962	400	EVW	30	S
	38	32	72	41	66,5	50	60	1669	315	EVW	38	S

5.2

SWIVEL ELBOW CONNECTOR-EVW-R

EVW - R

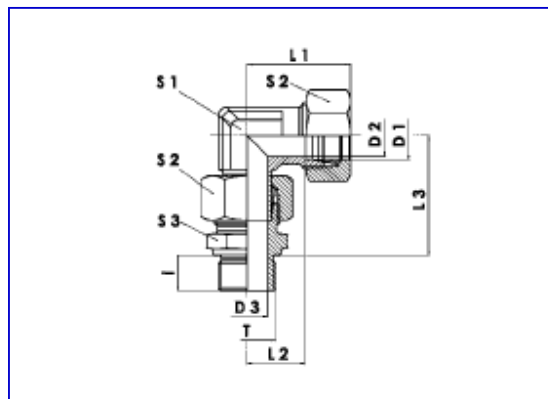
Assembled Adjustable Standpipe

Elbow

L and S - Series

Thread:BSPP

Metal Sealing Edge Form B

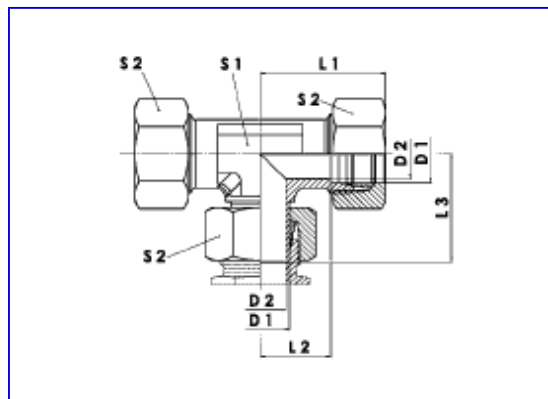


SERIES	D1	T	D2	D3	L1	L2	L3	i	S1	S2	S3	WT/SET IN gm	BAR	ME PART NO.
L	6	G 1/8 "	4	4	27	12	34,5	8	12	14	14	59	315	EVW-R 6 L R 1/8
	8	G 1/4 "	6	6	29	14	37,5	12	12	17	19	85	315	EVW-R 8 L R 1/4
	10	G 1/4 "	8	6	30	15	40	12	14	19	19	105	315	EVW-R 10 L R 1/4
	12	G 3/8 "	10	9	32	17	42	12	17	22	22	147	315	EVW-R 12 L R 3/8
	15	G 1/2 "	12	11	36	21	46,5	14	19	27	27	238	250	EVW-R 15 L R 1/2
	18	G 1/2 "	15	14	40	23,5	50	14	24	32	27	328	250	EVW-R 18 L R 1/2
	22	G 3/4 "	19	18	44	27,5	55	16	27	36	32	444	160	EVW-R 22 L R 3/4
	28	G 1/1 "	24	23	47	30,5	59,5	18	36	41	41	640	160	EVW-R 28 L R 1/1
	35	G 1.1/4 "	30	30	56	34,5	68,5	20	41	50	50	989	160	EVW-R 35 L R 1.1/4
42	G 1.1/2 "	36	36	63	40	79	22	50	60	55	1542	160	EVW-R 42 L R 1.1/2	
S	6	G 1/4 "	4	4	31	16	40	12	12	17	19	98	400	EVW-R 6 S R 1/4
	8	G 1/4 "	5	5	32	17	42,5	12	14	19	19	121	400	EVW-R 8 S R 1/4
	10	G 3/8 "	7	7	34	17,5	46	12	17	22	22	182	400	EVW-R 10 S R 3/8
	12	G 3/8 "	8	8	38	21,5	48	12	17	24	22	207	400	EVW-R 12 S R 3/8
	14	G 1/2 "	10	10	40	22	54	14	19	27	27	287	400	EVW-R 14 S R 1/2
	16	G 1/2 "	12	12	43	24,5	56	14	24	30	27	376	400	EVW-R 16 S R 1/2
	20	G 3/4 "	16	16	48	26,5	65	16	27	36	32	541	400	EVW-R 20 S R 3/4
	25	G 1/1 "	20	20	54	30	73	18	36	46	41	1040	250	EVW-R 25 S R 1/1
	30	G 1.1/4 "	25	25	62	35,5	78,5	20	41	50	50	1372	160	EVW-R 30 S R 1.1/4
38	G 1.1/2 "	32	32	72	41	92,5	22	50	60	55	2075	160	EVW-R 38 S R 1.1/2	

5.3

SWIVEL BRANCH TEE - EVT

EVT
Standpipe Branch Tee
L and S - Series



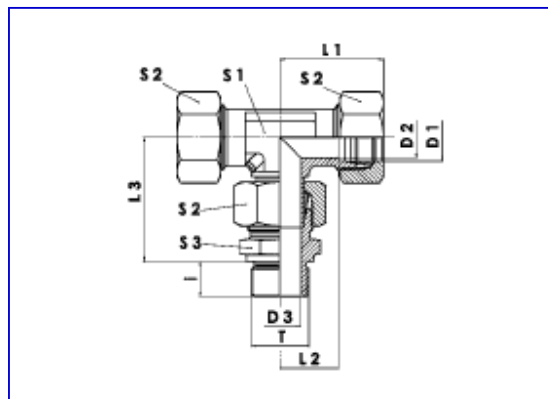
SERIES	D1	D2	L1	L2	L3	S1	S2	WT/SET IN gm	BAR	ME PART NO.		
L	6	4	27	12	26	12	14	60	315	EVT	6	L
	8	6	29	14	27,5	12	17	83	315	EVT	8	L
	10	8	30	15	29	14	19	108	315	EVT	10	L
	12	10	32	17	30,5	17	22	150	315	EVT	12	L
	15	12	36	21	32,5	19	27	239	315	EVT	15	L
	18	15	40	23,5	35,5	24	32	336	315	EVT	18	L
	22	19	44	27,5	38,5	27	36	453	160	EVT	22	L
	28	24	47	30,5	43,5	36	41	638	160	EVT	28	L
	35	30	56	34,5	54,5	41	50	947	160	EVT	35	L
	42	36	63	40	60	50	60	1607	160	EVT	42	L
S	6	4	31	16	27	12	17	98	630	EVT	6	S
	8	5	32	17	29	14	19	90	630	EVT	8	S
	10	7	34	17,5	31	17	22	152	630	EVT	10	S
	12	8	38	21,5	33	17	24	206	630	EVT	12	S
	14	10	40	22	35	19	27	287	400	EVT	14	S
	16	12	43	24,5	37,5	24	30	383	400	EVT	16	S
	20	16	48	26,5	44,5	27	36	572	400	EVT	20	S
	25	20	54	30	50,5	36	46	1078	400	EVT	25	S
	30	25	62	35,5	56,5	41	50	1350	400	EVT	30	S
	38	32	72	41	66,5	50	60	2084	315	EVT	38	S

5.4

SWIVEL BRANCH TEE CONNECTOR-EVT-R

EVT- R

Assembled Adjust. Standpipe
Branch Tee
L and S - Series
Thread:BSPP
Metal Sealing Edge Form B

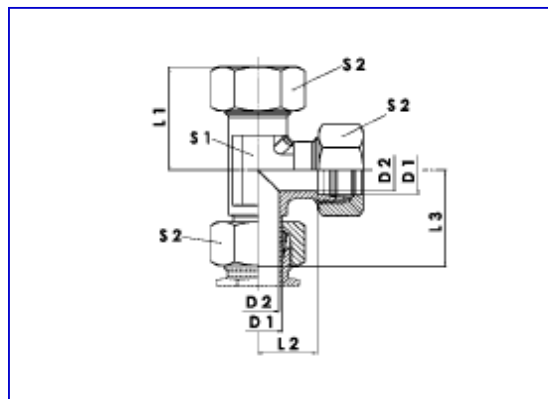


SERIES	D1	T	D2	D3	L1	L2	L3	I	S1	S2	S3	WT/SET IN gm	BAR	ME PART NO.
L	6	G 1/8 "	4	4	27	12	34,5	8	12	14	14	71	315	EVT-R 6 L R 1/8
	8	G 1/4 "	6	6	29	14	37,5	12	12	17	19	107	315	EVT-R 8 L R 1/4
	10	G 1/4 "	8	6	30	15	40	12	14	19	19	127	315	EVT-R 10 L R 1/4
	12	G 3/8 "	10	9	32	17	43	12	17	22	22	175	315	EVT-R 12 L R 3/8
	15	G 1/2 "	12	11	36	21	46,5	14	19	27	27	299	250	EVT-R 15 L R 1/2
	18	G 1/2 "	15	14	40	23,5	50	14	24	32	27	402	250	EVT-R 18 L R 1/2
	22	G 3/4 "	19	18	44	27,5	55,5	16	27	36	32	546	160	EVT-R 22 L R 3/4
	28	G 1/1 "	24	23	47	30,5	61	18	36	41	41	762	160	EVT-R 28 L R 1/1
	35	G 1.1/4 "	30	30	56	34,5	72	20	41	50	50	1215	160	EVT-R 35 L R 1.1/4
	42	G 1.1/2 "	36	36	63	40	79	22	50	60	55	1755	160	EVT-R 42 L R 1.1/2
S	6	G 1/4 "	4	4	31	16	40	12	12	17	19	127	400	EVT-R 6 S R 1/4
	8	G 1/4 "	5	5	32	17	44	12	14	19	19	162	400	EVT-R 8 S R 1/4
	10	G 3/8 "	7	7	34	17,5	47	12	17	22	22	219	400	EVT-R 10 S R 3/8
	12	G 3/8 "	8	8	38	21,5	50	12	17	24	22	265	400	EVT-R 12 S R 3/8
	14	G 1/2 "	10	10	40	22	54	14	19	27	27	379	400	EVT-R 14 S R 1/2
	16	G 1/2 "	12	12	43	24,5	55	14	24	30	27	465	400	EVT-R 16 S R 1/2
	20	G 3/4 "	16	16	48	26,5	65	16	27	36	32	727	400	EVT-R 20 S R 3/4
	25	G 1/1 "	20	20	54	30	73,5	18	36	46	41	1336	250	EVT-R 25 S R 1/1
	30	G 1.1/4 "	25	25	62	35,5	80	20	41	50	50	1752	160	EVT-R 30 S R 1.1/4
	38	G 1.1/2 "	32	32	72	41	92,5	22	50	60	55	2643	160	EVT-R 38 S R 1.1/2

5.5

SWIVEL RUN TEE-EVL

EVL
Standpipe Run Tee
L and S - Series



SERIES	D1	D2	L1	L2	L3	S1	S2	WT/SET IN gm	BAR	ME PART NO.		
L	6	4	27	12	26	12	14	63	315	EVL	6	L
	8	6	29	14	27,5	12	17	84	315	EVL	8	L
	10	8	30	15	29	14	19	106	315	EVL	10	L
	12	10	32	17	30,5	17	22	150	315	EVL	12	L
	15	12	36	21	32,5	19	27	240	315	EVL	15	L
	18	15	40	23,5	35,5	24	32	364	315	EVL	18	L
	22	19	44	27,5	39	27	36	475	160	EVL	22	L
	28	24	47	30,5	43,5	36	41	613	160	EVL	28	L
	35	30	56	34,5	54,5	41	50	975	160	EVL	35	L
	42	36	63	40	60	50	60	1583	160	EVL	42	L
S	6	4	31	16	27	12	17	94	630	EVL	6	S
	8	5	32	17	29	14	19	130	630	EVL	8	S
	10	7	34	17,5	32	17	22	184	630	EVL	10	S
	12	8	38	21,5	33	17	24	212	630	EVL	12	S
	14	10	40	22	35	19	27	289	400	EVL	14	S
	16	12	43	24,5	37,5	24	30	402	400	EVL	16	S
	20	16	48	26,5	44,4	27	36	598	400	EVL	20	S
	25	20	54	30	50,5	36	46	1078	400	EVL	25	S
	30	25	62	35,5	56,5	41	50	1383	400	EVL	30	S
	38	32	72	41	66,5	50	60	2272	315	EVL	38	S

5.6

SWIVEL RUN TEE CONNECTOR-EVL-R

EVL - R

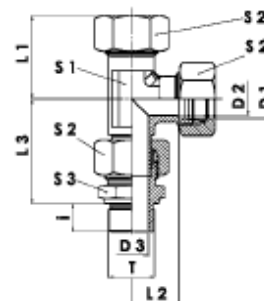
Assembled Adjust. Standpipe Run

Tee

L and S - Series

Thread:BSPP

Metal Sealing Edge Form B

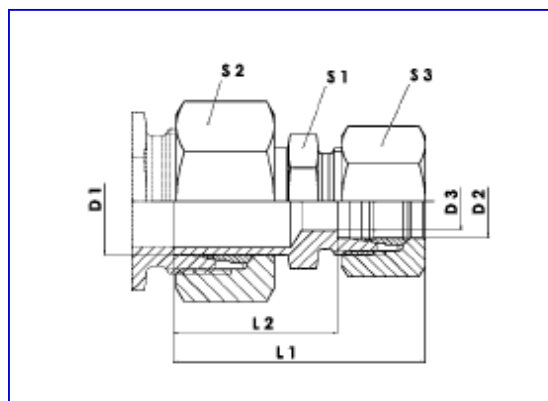


SERIES	D1	T	D2	D3	L1	L2	L3	I	S1	S2	S3	WT/SET IN gm	BAR	ME PART NO.
L	6	G 1/8 "	4	4	27	12	34,5	8	12	14	14	71	315	EVL-R 6 L R 1/8
	8	G 1/4 "	6	6	29	14	37,5	12	12	17	19	107	315	EVL-R 8 L R 1/4
	10	G 1/4 "	8	6	30	15	40	12	14	19	19	129	315	EVL-R 10 L R 1/4
	12	G 3/8 "	10	9	32	17	43	12	17	22	22	177	315	EVL-R 12 L R 3/8
	15	G 1/2 "	12	11	36	21	46,5	14	19	27	27	300	250	EVL-R 15 L R 1/2
	18	G 1/2 "	15	14	40	23,5	50	14	24	32	27	399	250	EVL-R 18 L R 1/2
	22	G 3/4 "	19	18	44	27,5	55,5	16	27	36	32	544	160	EVL-R 22 L R 3/4
	28	G 1 "	24	23	47	30,5	61	18	36	41	41	753	160	EVL-R 28 L R 1
	35	G 1.1/4 "	30	30	56	34,5	72	20	41	50	50	1209	160	EVL-R 35 L R 1.1/4
42	G 1.1/2 "	36	36	63	40	79	22	50	60	55	1796	160	EVL-R 42 L R 1.1/2	
S	6	G 1/4 "	4	4	31	16	40	12	12	17	19	127	400	EVL-R 6 S R 1/4
	8	G 1/4 "	5	5	32	17	44	12	14	19	19	163	400	EVL-R 8 S R 1/4
	10	G 3/8 "	7	7	34	17,5	47	12	17	22	22	221	400	EVL-R 10 S R 3/8
	12	G 3/8 "	8	8	38	21,5	50	12	17	24	22	267	400	EVL-R 12 S R 3/8
	14	G 1/2 "	10	10	40	22	54	14	19	27	27	380	400	EVL-R 14 S R 1/2
	16	G 1/2 "	12	12	43	24,5	56	14	24	30	27	464	400	EVL-R 16 S R 1/2
	20	G 3/4 "	16	16	48	26,5	65	16	27	36	32	707	400	EVL-R 20 S R 3/4
	25	G 1 "	20	20	54	30	73,5	18	36	46	41	1334	250	EVL-R 25 S R 1
	30	G 1.1/4 "	25	25	62	35,5	80	20	41	50	50	1742	160	EVL-R 30 S R 1.1/4
38	G 1.1/2 "	32	32	72	41	92,5	22	50	60	55	2651	160	EVL-R 38 S R 1.1/2	

5.7

TUBE REDUCER-KOR

KOR
Standpipe Reducer
L - Series

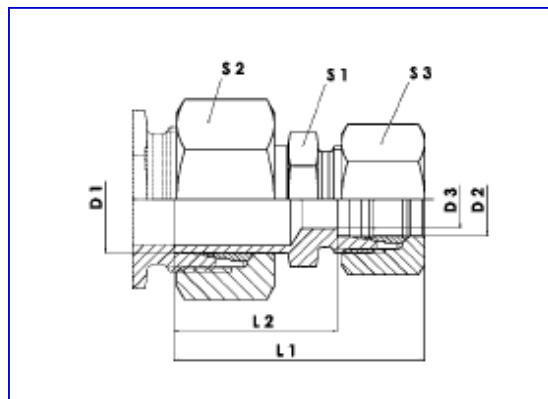


5.8

SERIES	D1	D2	D3	L1	L2	S1	S2	S3	WT/SET IN gm	BAR	ME PART NO.
L	8	6	4	41	26,5	12	17	14	44	315	KOR 8 / 6 L
	10	6	4	42	27,5	12	19	14	51	315	KOR 10 / 6 L
	10	8	6	43	28,5	14	19	17	57	315	KOR 10 / 8 L
	12	6	4	44	29,5	14	22	14	61	315	KOR 12 / 6 L
	12	8	6	44	29,5	14	22	17	70	315	KOR 12 / 8 L
	12	10	8	45	30,5	17	22	19	76	315	KOR 12 / 10 L
	15	6	4	45	30	17	27	14	91	315	KOR 15 / 6 L
	15	8	6	45	30	17	27	17	95	315	KOR 15 / 8 L
	15	10	8	46	31	17	27	19	106	315	KOR 15 / 10 L
	15	12	10	47	32	19	27	22	113	315	KOR 15 / 12 L
	18	6	4	45	30,5	19	32	14	124	315	KOR 18 / 6 L
	18	8	6	45	30,5	19	32	17	130	315	KOR 18 / 8 L
	18	10	8	46	31,5	19	32	19	134	315	KOR 18 / 10 L
	18	12	10	46	31,5	19	32	22	151	315	KOR 18 / 12 L
	18	15	12	48	32,5	24	32	27	178	315	KOR 18 / 15 L
	22	6	4	46	31,5	24	36	14	166	160	KOR 22 / 6 L
	22	8	6	46	31,5	24	36	17	172	160	KOR 22 / 8 L
	22	10	8	47	32,5	24	36	19	177	160	KOR 22 / 10 L
	22	12	10	47	32,5	24	36	22	186	160	KOR 22 / 12 L
	22	15	12	49	33,5	24	36	27	207	160	KOR 22 / 15 L
22	18	15	50	34	27	36	32	241	160	KOR 22 / 18 L	

TUBE REDUCER-KOR

KOR
Standpipe Reducer
L - Series

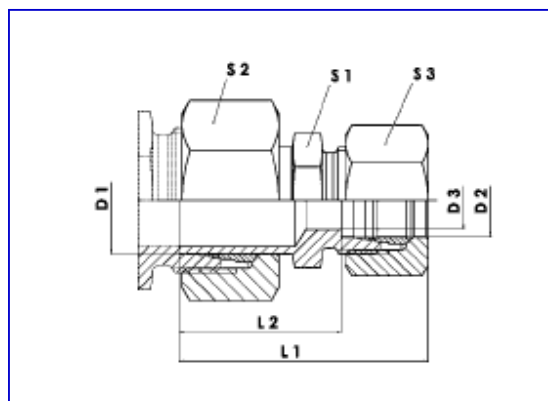


SERIES	D1	D2	D3	L1	L2	S1	S2	S3	WT/SET IN gm	BAR	ME PART NO.				
L	28	6	4	49	34	30	41	14	232	160	KOR	28	/	6	L
	28	8	6	49	34	30	41	17	234	160	KOR	28	/	8	L
	28	10	8	50	35	30	41	19	232	160	KOR	28	/	10	L
	28	12	10	50	35	30	41	22	235	160	KOR	28	/	12	L
	28	15	12	51	36	30	41	27	248	160	KOR	28	/	15	L
	28	18	15	52	35,5	30	41	32	286	160	KOR	28	/	18	L
	28	22	19	54	37,5	32	41	36	317	160	KOR	28	/	22	L
	35	6	4	56	41,5	36	50	14	319	160	KOR	35	/	6	L
	35	8	6	56	41,5	36	50	17	330	160	KOR	35	/	8	L
	35	10	8	57	42,5	36	50	19	391	160	KOR	35	/	10	L
	35	12	10	57	42,5	36	50	22	400	160	KOR	35	/	12	L
	35	15	12	59	43,5	36	50	27	427	160	KOR	35	/	15	L
	35	18	15	59	43	36	50	32	450	160	KOR	35	/	18	L
	35	22	19	61	45	36	50	36	469	160	KOR	35	/	22	L
	35	28	24	62	45	41	50	41	498	160	KOR	35	/	28	L
	42	10	8	60	45,5	46	60	19	572	160	KOR	42	/	10	L
	42	12	10	60	45,5	46	60	22	580	160	KOR	42	/	12	L
	42	15	12	62	46,5	46	60	27	734	160	KOR	42	/	15	L
	42	18	15	62	46	46	60	32	623	160	KOR	42	/	18	L
	42	22	19	64	48	46	60	36	657	160	KOR	42	/	22	L
	42	28	24	65	48	46	60	41	657	160	KOR	42	/	28	L
42	35	30	69	47	46	60	50	745	160	KOR	42	/	35	L	

5.9

TUBE REDUCER-KOR

KOR
Standpipe Reducer
S - Series

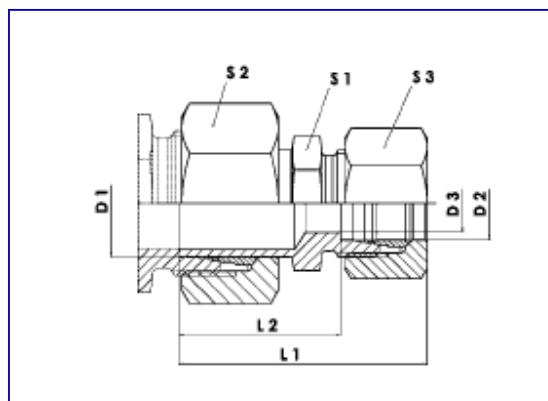


SERIES	D1	D2	D3	L1	L2	S1	S2	S3	WT/SET IN gm	BAR	ME PART NO.				
S	8	6	4	44	29,5	14	19	17	35	630	KOR	8	/	6	S
	10	6	4	46	31,5	14	22	17	35	630	KOR	10	/	6	S
	10	8	5	46	31,5	17	22	19	37	630	KOR	10	/	8	S
	12	6	4	46	31,5	14	24	17	35	630	KOR	12	/	6	S
	12	8	5	46	31,5	17	24	19	39	630	KOR	12	/	8	S
	12	10	7	48	32	19	24	22	47	630	KOR	12	/	10	S
	14	6	4	48	33,5	17	27	17	51	630	KOR	14	/	6	S
	14	8	5	48	33,5	17	27	19	61	630	KOR	14	/	8	S
	14	10	7	50	34	19	27	22	69	630	KOR	14	/	10	S
	14	12	8	50	34	22	27	24	79	630	KOR	14	/	12	S
	16	6	4	49	34	17	30	17	63	400	KOR	16	/	6	S
	16	8	5	49	34	17	30	19	68	400	KOR	16	/	8	S
	16	10	7	51	34,5	19	30	22	80	400	KOR	16	/	10	S
	16	12	8	51	34,5	22	30	24	106	400	KOR	16	/	12	S
	16	14	10	54	36	24	30	27	126	400	KOR	16	/	14	S
	20	6	4	54	39	22	36	17	89	400	KOR	20	/	6	S
	20	8	5	54	39	22	36	19	93	400	KOR	20	/	8	S
	20	10	7	55	38,5	22	36	22	134	400	KOR	20	/	10	S
	20	12	8	55	38,5	22	36	24	139	400	KOR	20	/	12	S
	20	14	10	58	40	24	36	27	158	400	KOR	20	/	14	S
	20	16	12	59	40,5	27	36	30	173	400	KOR	20	/	16	S
	25	6	4	58	43,5	27	46	17	125	400	KOR	25	/	6	S
	25	8	5	58	43,5	27	46	19	159	400	KOR	25	/	8	S
	25	10	7	59	43	27	46	22	170	400	KOR	25	/	10	S
	25	12	8	59	43	27	46	24	176	400	KOR	25	/	12	S
25	14	10	62	44,5	27	46	27	195	400	KOR	25	/	14	S	
25	16	12	62	44	27	46	30	215	400	KOR	25	/	16	S	
25	20	16	66	44	32	46	36	256	400	KOR	25	/	20	S	

5.10

TUBE REDUCER-KOR

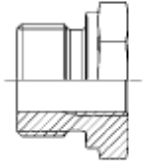
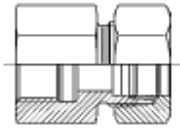
KOR
Standpipe Reducer
S - Series



SERIES	D1	D2	D3	L1	L2	S1	S2	S3	WT/SET IN gm	BAR	ME PART NO.
S	30	6	4	61	46	32	50	17	196	400	KOR 30 / 6 S
	30	8	5	61	46	32	50	19	202	400	KOR 30 / 8 S
	30	10	7	62	45,5	32	50	22	214	400	KOR 30 / 10 S
	30	12	8	62	45,5	32	50	24	218	400	KOR 30 / 12 S
	30	14	10	65	47	32	50	27	242	400	KOR 30 / 14 S
	30	16	12	65	46,5	32	50	30	256	400	KOR 30 / 16 S
	30	20	16	68	46,5	32	50	36	301	400	KOR 30 / 20 S
	30	25	20	72	48	41	50	46	517	400	KOR 30 / 25 S
	38	6	4	68	53	41	60	17	325	315	KOR 38 / 6 S
	38	8	5	68	53	41	60	19	328	315	KOR 38 / 8 S
	38	10	7	69	52,5	41	60	22	338	315	KOR 38 / 10 S
	38	12	8	69	52,5	41	60	24	346	315	KOR 38 / 12 S
	38	14	10	72	54	41	60	27	373	315	KOR 38 / 14 S
	38	16	12	72	53,5	41	60	30	382	315	KOR 38 / 16 S
	38	20	16	75	53,5	41	60	36	418	315	KOR 38 / 20 S
	38	25	20	78	54	41	60	46	670	315	KOR 38 / 25 S
	38	30	25	82	55,5	46	60	50	676	315	KOR 38 / 30 S

5.11

TUBE FITTINGS—SINGLE FERRULE DIN2353—REDUCER

ME PART NO.—PAGE NO.		ME PART NO.—PAGE NO.	
RI 6.1		GAI-R 6.4	

MALE/FEMALE REDUCER –BSP-RI

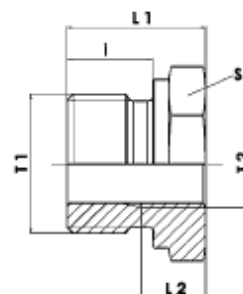
RI

Straight Reducer

Male Thread:BSPP

Female Thread:BSPP

Metal Sealing Edge Form B



MALE T1	FEMALE T2	L1	L2	i	S1	WT/NO. IN gm	BAR	ME PART NO.
G 1/4 "	G 1/8 "	29	12	12	19	41	400	RI 1/4 x 1/8
G 3/8 "	G 1/8 "	22,5	8	12	22	38	400	RI 3/8 x 1/8
G 3/8 "	G 1/4 "	26,5	12	12	22	68	400	RI 3/8 x 1/4
G 1/2 "	G 1/8 "	24	8	14	27	65	400	RI 1/2 x 1/8
G 1/2 "	G 1/4 "	24	12	14	27	56	400	RI 1/2 x 1/4
G 1/2 "	G 3/8 "	37	17	14	27	95	400	RI 1/2 x 3/8
G 3/4 "	G 1/4 "	26	12	16	32	103	315	RI 3/4 x 1/4
G 3/4 "	G 3/8 "	26	12	16	32	86	315	RI 3/4 x 3/8
G 3/4 "	G 1/2 "	43	20	16	32	156	315	RI 3/4 x 1/2
G 1 "	G 1/4 "	29	12	18	41	197	315	RI 1 x 1/4
G 1 "	G 3/8 "	29	12	18	41	179	315	RI 1 x 3/8
G 1 "	G 1/2 "	29	14	18	41	153	315	RI 1 x 1/2
G 1 "	G 3/4 "	38	16	18	41	290	315	RI 1 x 3/4
G 1.1/4 "	G 1/2 "	32	14	20	50	313	315	RI 1.1/4 x 1/2
G 1.1/4 "	G 3/4 "	32	16	20	50	393	315	RI 1.1/4 x 3/4
G 1.1/4 "	G 1 "	52	24,5	20	50	469	315	RI 1.1/4 x 1
G 1.1/2 "	G 1/2 "	36	14	22	55	470	250	RI 1.1/2 x 1/2
G 1.1/2 "	G 3/4 "	36	16	22	55	415	250	RI 1.1/2 x 3/4
G 1.1/2 "	G 1 "	36	18	22	55	338	250	RI 1.1/2 x 1
G 1.1/2 "	G 1.1/4 "	58	26,5	22	55	542	250	RI 1.1/2 x 1.1/4
G 2 "	G 1.1/4 "	63	26,5	24	70	1250	160	RI 2 x 1.1/4
G 2 "	G 1.1/2 "	65	28,5	24	75	1309	160	RI 2 x 1.1/2

6.1

MALE / FEMALE REDUCER BSP/NPT-RI-BN

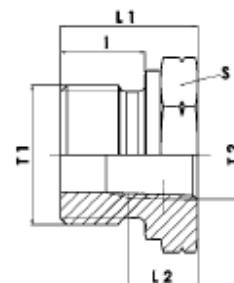
RI- BN-BSPP - NPT

Straight Reducer/Expander

Male Thread:BSPP

Female Thread:NPT

Metal Sealing Edge Form B



MALE T1	T2	L1	L2	i	S1	WT/NO. IN gm	BAR	ME PART NO.
G 1/8 "	1/4 " NPT	31	10,2	8	19	41	630	RI-BN 1/8 x 1/4
G 1/4 "	3/8 " NPT	36	10,4	12	24	69	630	RI-BN 1/4 x 3/8
G 1/4 "	1/2 " NPT	40	13,6	12	27	120	630	RI-BN 1/4 x 1/2
G 3/8 "	1/4 " NPT	36	10,2	12	22	70	630	RI-BN 3/8 x 1/4
G 3/8 "	1/2 " NPT	41	13,6	12	27	130	630	RI-BN 3/8 x 1/2
G 1/2 "	1/4 " NPT	24	10,2	14	27	60	400	RI-BN 1/2 x 1/4
G 1/2 "	3/8 " NPT	36	10,4	14	27	100	400	RI-BN 1/2 x 3/8
G 1/2 "	3/4 " NPT	46	14,1	14	36	185	400	RI-BN 1/2 x 3/4
G 3/4 "	1/4 " NPT	26	10,2	16	32	108	400	RI-BN 3/4 x 1/4
G 3/4 "	3/8 " NPT	26	10,4	16	32	90	400	RI-BN 3/4 x 3/8
G 3/4 "	1/2 " NPT	41	13,6	16	32	160	400	RI-BN 3/4 x 1/2
G 1 "	3/4 " NPT	47	14,1	18	41	295	400	RI-BN 1 x 3/4
G 1.1/4 "	3/4 " NPT	32	14,1	20	50	390	400	RI-BN 1.1/4 x 3/4
G 1.1/4 "	1 " NPT	52	16,8	20	50	460	400	RI-BN 1.1/4 x 1
G 1.1/2 "	1 " NPT	36	16,8	22	55	340	315	RI-BN 1.1/2 x 1
G 1.1/2 "	1.1/4 " NPT	58	17,3	22	55	550	315	RI-BN 1.1/2 x 1.1/4

6.2

MALE/ FEMALE REDUCER BSP-RI

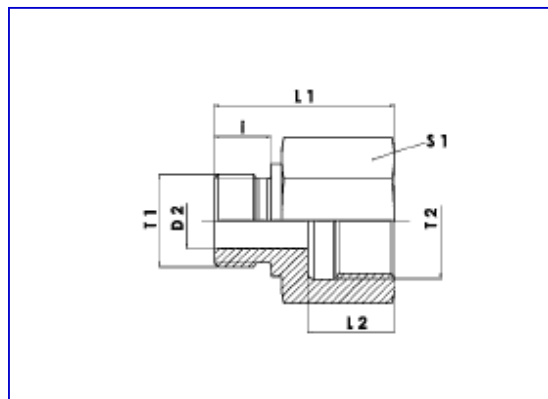
RI

Straight Expander

Male Thread:BSPP

Female Thread:BSPP

Metal Sealing Edge Form B



MALE T1	T2	D2	L1	L2	i	S1	WT/NO. IN gm	BAR	ME PART NO.
G 1/8 "	G 1/4 "	4	31	17	8	19	39	630	RI 1/8 x 1/4
G 1/8 "	G 3/8 "	4	32	17	8	24	65	630	RI 1/8 x 3/8
G 1/8 "	G 1/2 "	4	28	13	8	27	85	630	RI 1/8 x 1/2
G 1/4 "	G 1/4 "	5	36	17	12	19	70	630	RI 1/4 x 1/4
G 1/4 "	G 3/8 "	5	36	17	12	24	68	630	RI 1/4 x 3/8
G 1/4 "	G 1/2 "	5	40	20	12	30	116	630	RI 1/4 x 1/2
G 1/4 "	G 3/4 "	5	43	22	12	36	170	400	RI 1/4 x 3/4
G 3/8 "	G 3/8 "	8	38	17	12	24	110	630	RI 3/8 x 3/8
G 3/8 "	G 1/2 "	8	41	20	12	30	125	630	RI 3/8 x 1/2
G 3/8 "	G 3/4 "	8	44	22	12	36	185	400	RI 3/8 x 3/4
G 1/2 "	G 3/4 "	12	46	22	14	36	186	400	RI 1/2 x 3/4
G 1/2 "	G 1 "	12	49	24,5	14	41	220	400	RI 1/2 x 1
G 1/2 "	G 1.1/4 "	12	53	26,5	14	55	350	400	RI 1/2 x 1.1/4
G 3/4 "	G 1 "	16	51	24,5	16	41	240	400	RI 3/4 x 1
G 3/4 "	G 1.1/4 "	16	55	26,5	16	55	482	250	RI 3/4 x 1.1/4
G 3/4 "	G 1.1/2 "	16	57	28,5	16	60	560	250	RI 3/4 x 1.1/2
G 1 "	G 1.1/4 "	20	57	26,5	18	55	503	250	RI 1 x 1.1/4
G 1 "	G 1.1/2 "	20	59	28,5	18	60	585	250	RI 1 x 1.1/2
G 1.1/4 "	G 1.1/2 "	25	60	28,5	20	60	616	250	RI 1.1/4 x 1.1/2

6.3

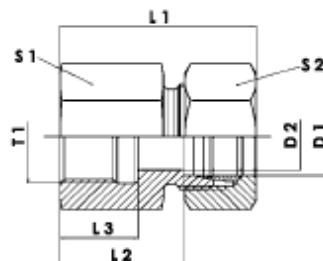
FEMALE CONNECTER BSP –GAI-R

GAI-R

Straight Female Connector

L and S - Series

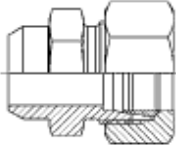
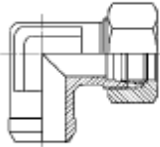
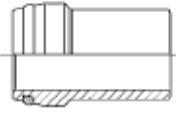
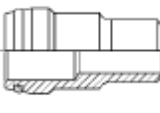
Female Thread:BSPP



SERIES	D1	T	D2	D3	L1	L2	L3	S1	S2	WT/SET IN gm	BAR	ME PART NO.			
L	6	G 1/8 "	4	4	34	19	11	14	14	30	315	GAI	6	LR	1/8
	6	G 1/4 "	4	4	39	24	18	19	14	51	315	GAI	6	LR	1/4
	8	G 1/4 "	6	6	39	24	18	19	17	56	315	GAI	8	LR	1/4
	8	G 3/8 "	6	6	39	24	16	24	17	78	315	GAI	8	LR	3/8
	8	G 1/2 "	6	6	44	29	20	27	17	97	315	GAI	8	LR	1/2
	10	G 1/4 "	8	8	40	25	18	19	19	61	315	GAI	10	LR	1/4
	10	G 3/8 "	8	8	40	25	16	24	19	84	315	GAI	10	LR	3/8
	10	G 1/2 "	8	8	45	30	20	27	19	102	315	GAI	10	LR	1/2
	12	G 3/8 "	10	10	41	26	16	24	22	93	315	GAI	12	LR	3/8
	12	G 1/2 "	10	10	45	30	20	27	22	112	315	GAI	12	LR	1/2
	15	G 1/2 "	12	12	46	31	20	27	27	134	315	GAI	15	LR	1/2
	18	G 1/2 "	15	15	47	30,5	20	27	32	157	315	GAI	18	LR	1/2
	18	G 3/8 "	15	10	44	27,5	16	27	32	163	315	GAI	18	LR	3/8
	22	G 3/4 "	19	19	52	35,5	22	36	36	262	160	GAI	22	LR	3/4
	28	G 1/1 "	24	24	55	38,5	24	41	41	309	160	GAI	28	LR	1/1
35	G 1.1/4 "	30	30	63	42	28	55	50	626	160	GAI	35	LR	1.1/4	
42	G 1.1/2 "	36	36	65	43	30	60	60	779	160	GAI	42	LR	1.1/2	
S	6	G 1/4 "	4	4	41	26	18	19	17	62	400	GAI	6	SR	1/4
	8	G 1/4 "	5	5	41	26	18	19	17	70	400	GAI	8	SR	1/4
	10	G 3/8 "	7	7	43	26,5	16	24	22	102	400	GAI	10	SR	3/8
	12	G 3/8 "	8	8	43	26,5	17	24	24	109	400	GAI	12	SR	3/8
	12	G 1/2 "	8	8	47	30,5	20	27	24	159	400	GAI	12	SR	1/2
	14	G 1/2 "	10	10	50	32	20	30	27	182	400	GAI	14	SR	1/2
	16	G 1/2 "	12	12	50	31,5	20	27	30	198	400	GAI	16	SR	1/2
	20	G 3/4 "	16	16	56	34,5	22	36	36	227	315	GAI	20	SR	3/4
	25	G 1/1 "	20	20	62	37,5	25	41	46	461	315	GAI	25	SR	1/1
	30	G 1.1/4 "	25	25	69	42	27	55	50	775	315	GAI	30	SR	1.1/4
38	G 1.1/2 "	32	32	74	43,5	30	60	60	1011	250	GAI	38	SR	1.1/2	

6.4

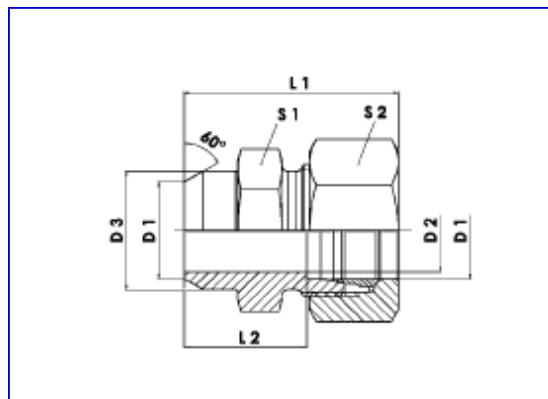
TUBE FITTINGS—SINGLE FERRULE DIN2353—WELD CONNECTOR

ME PART NO.—PAGE NO.		ME PART NO.—PAGE NO.	
AS 7.1		ASW 7.2	
SKA 7.3		SKR 7.4	

WELD CONNECTOR-AS

AS

Straight Weld Coupling
with 24°-Cone Sealing End
L and S - Series



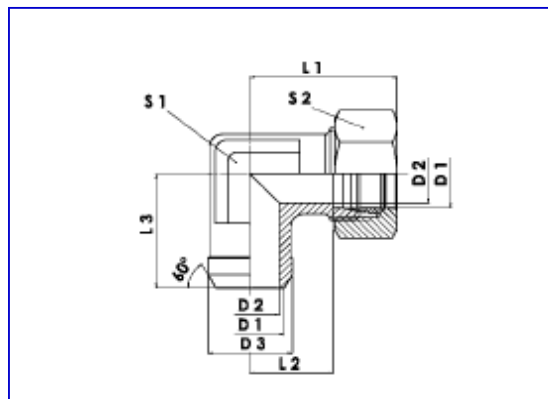
SERIES	D1	D2	D3	L1	L2	S1	S2	WT/SET IN gm	BAR	ME PART NO.		
L	6	4	10,0	29	14,0	12	14	23	315	AS	6	L
	8	6	12,0	31	16,0	14	17	32	315	AS	8	L
	10	8	14,0	33	18,0	17	19	43	315	AS	10	L
	12	10	16,0	33	18,0	19	22	54	315	AS	12	L
	15	12	19,0	37	22,0	24	27	91	315	AS	15	L
	18	15	22,0	40	23,5	27	32	135	315	AS	18	L
	22	19	27,0	45	28,5	32	36	187	160	AS	22	L
	28	24	32,0	47	30,5	41	41	263	160	AS	28	L
	35	30	40,0	54	32,5	46	50	389	160	AS	35	L
	42	36	46,0	58	35,0	55	60	581	160	AS	42	L
S	6	4	10,0	34	19,0	14	17	40	630	AS	6	S
	8	5	13,0	36	21,0	17	19	54	630	AS	8	S
	10	7	15,0	39	22,5	19	22	73	630	AS	10	S
	12	8	17,0	41	24,5	22	24	131	630	AS	12	S
	14	10	19,0	45	27,0	24	27	112	630	AS	14	S
	16	12	21,0	45	26,5	27	30	154	400	AS	16	S
	20	16	26,0	51	29,5	32	36	244	400	AS	20	S
	25	20	31,0	56	32,0	41	46	434	400	AS	25	S
	30	25	36,0	62	35,5	46	50	535	400	AS	30	S
	38	32	44,0	69	38,0	55	60	810	315	AS	38	S

7.1

ELBOW WELD CONNECTOR-ASW

ASW

Elbow Weld Coupling
with 24°-Cone Sealing End
L and S - Series



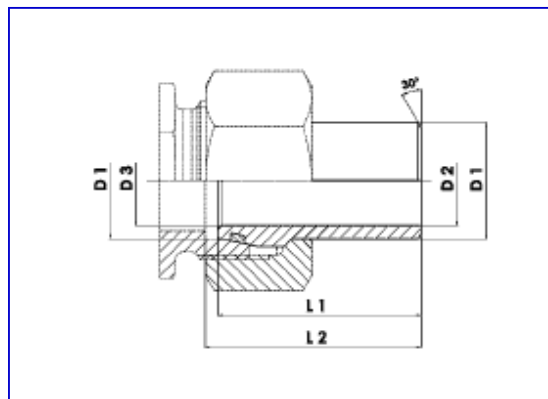
SERIES	D1	L1	L2	S1	S2	S3	WT/SET IN gm	BAR	ME PART NO.		
L	6	63,5	29	17	17	14	68	315	ASW	6	L
	8	63,5	30	17	19	17	87	315	ASW	8	L
	10	74,5	40,5	22	24	19	144	315	ASW	10	L
	12	78,5	43,5	27	30	22	220	315	ASW	12	L
	15	82,5	47,5	27	30	27	280	315	ASW	15	L
	18	88,5	51,5	36	36	32	420	160	ASW	18	L
	22	102	61,5	41	46	36	640	160	ASW	22	L
	28	114	71,5	50	55	41	930	100	ASW	28	L
	35	123	68,5	60	60	50	1340	100	ASW	35	L
42	139	83	80	90	60	2400	100	ASW	42	L	
S	6	69	34,5	19	19	17	105	400	ASW	6	S
	8	68	34,5	19	22	19	115	400	ASW	8	S
	10	77,5	40,5	24	27	22	170	400	ASW	10	S
	12	80,5	42,5	27	30	24	240	400	ASW	12	S
	14	88,5	48	27	32	27	320	315	ASW	14	S
	16	92,5	50,5	32	36	30	430	315	ASW	16	S
	20	105,5	54,5	41	46	36	720	250	ASW	20	S
	25	114	58,5	46	50	46	1080	250	ASW	25	S
	30	130,5	69,5	55	60	50	1200	250	ASW	30	S
38	146,5	75,5	65	70	60	2320	250	ASW	38	S	

7.2

WELD NIPPLE-SKA

SKA

Straight Weld Nipple For Tubes
with 24°-Coupling and O-Ring
L/S, L and S - Series



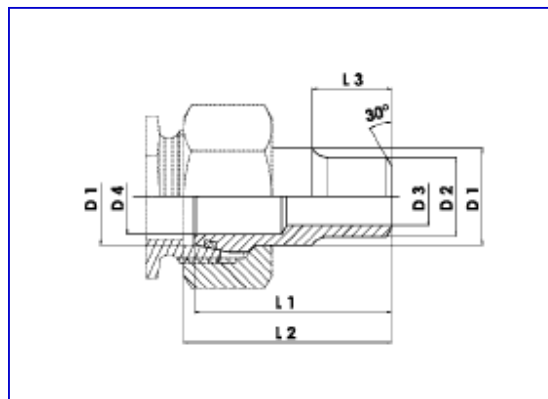
SERIES	D1	D2	D3	L1	L2	WT/SET IN gm	BAR	ME PART NO.		
L/S	6	3,0	2,5	31,0	31,5	7	539	SKA 6	L/S	x 1,5
	8	4,5	4,0	31,0	31,5	11	424	SKA 8	L/S	x 1,5
	8	4,0	4,0	31,0	31,5	11	539	SKA 8	L/S	x 2,0
	10	8,0	6,0	32,5	33,5	13	242	SKA 10	L/S	x 1,0
	10	7,0	6,0	32,5	33,5	13	349	SKA 10	L/S	x 1,5
	10	6,0	6,0	32,5	33,5	16	447	SKA 10	L/S	x 2,0
	12	9,0	8,0	32,5	33,5	21	297	SKA 12	L/S	x 1,5
	12	8,0	8,0	32,5	33,5	20	383	SKA 12	L/S	x 2,0
	12	7,0	8,0	32,5	33,5	22	463	SKA 12	L/S	x 2,5
L	15	11,0	10,0	34,0	34,5	29	315	SKA 15	L	x 2,0
	15	10,0	10,0	34,0	34,5	31	315	SKA 15	L	x 2,5
	18	13,0	13,0	35,5	36,5	40	315	SKA 18	L	x 2,5
	22	17,0	17,0	38,5	39,5	57	160	SKA 22	L	x 2,5
	28	23,0	22,0	41,5	42,5	73	160	SKA 28	L	x 2,5
	28	22,0	22,0	41,5	42,5	89	160	SKA 28	L	x 3,0
	35	28,0	28,0	47,5	49,5	140	160	SKA 35	L	x 3,5
	35	27,0	28,0	47,5	49,5	150	160	SKA 35	L	x 4,0
	42	36,0	34,0	47,5	50,0	155	160	SKA 42	L	x 3,0
	42	34,0	34,0	47,5	50,0	190	160	SKA 42	L	x 4,0
S	14	10,0	9,0	38,5	39,5	26	334	SKA 14	S	x 2,0
	14	8,0	9,0	38,5	39,5	33	474	SKA 14	S	x 3,0
	16	13,0	11,0	39,0	40,5	32	228	SKA 16	S	x 1,5
	16	12,0	11,0	39,0	40,5	31	297	SKA 16	S	x 2,0
	16	11,0	11,0	39,0	40,5	38	362	SKA 16	S	x 2,5
	16	10,0	11,0	39,0	40,5	41	400	SKA 16	S	x 3,0
	20	16,0	14,0	45,0	47,0	57	242	SKA 20	S	x 2,0
	20	15,0	14,0	45,0	47,0	57	297	SKA 20	S	x 2,5
	20	14,0	14,0	45,0	47,0	64	349	SKA 20	S	x 3,0
	20	13,0	14,0	45,0	47,0	71	400	SKA 20	S	x 3,5
	20	12,0	14,0	45,0	47,0	78	400	SKA 20	S	x 4,0
	25	19,0	18,0	49,5	53,0	89	286	SKA 25	S	x 3,0
	25	18,0	18,0	49,5	53,0	100	328	SKA 25	S	x 3,5
	25	17,0	18,0	49,5	53,0	111	369	SKA 25	S	x 4,0
	25	15,0	18,0	49,5	53,0	125	400	SKA 25	S	x 5,0
	30	24,0	23,0	52,0	57,0	113	242	SKA 30	S	x 3,0
	30	22,0	23,0	52,0	57,0	141	314	SKA 30	S	x 4,0
	30	20,0	23,0	52,0	57,0	166	383	SKA 30	S	x 5,0
	30	18,0	23,0	52,0	57,0	188	400	SKA 30	S	x 6,0
	38	32,0	30,0	56,5	64,0	163	195	SKA 38	S	x 3,0
	38	30,0	30,0	56,5	64,0	209	254	SKA 38	S	x 4,0
	38	28,0	30,0	56,5	64,0	247	315	SKA 38	S	x 5,0
38	26,0	30,0	56,5	64,0	270	315	SKA 38	S	x 6,0	
38	24,0	30,0	56,5	64,0	270	315	SKA 38	S	x 7,0	

7.3

REDUCING WELD NIPPLE-SKR

SKR

Straight Reducing Weld Nipple
For Tubes
with 24°-Coupling and O-Ring
L/S and S - Series



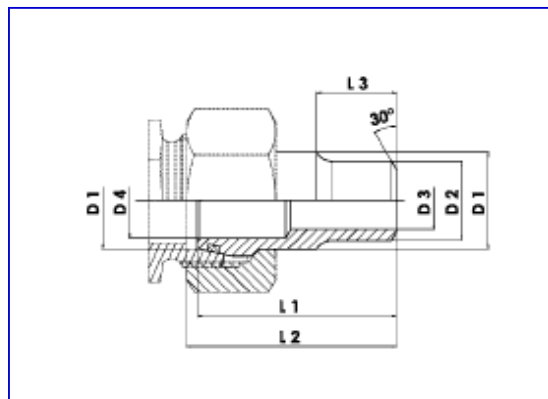
SERIES	D1	D2	D3	D4	L1	L2	L3	WT/SET IN gm	BAR	ME PART NO.				
L/S	8	6	3	4	31,0	31,5	12	14	539	SKR	8	-6	x	1,5
	10	6	3	6	32,5	33,5	12	15	539	SKR	10	-6	x	1,5
	10	8	5	6	32,5	33,5	12	16	424	SKR	10	-8	x	1,5
	10	8	4	6	32,5	33,5	12	17	539	SKR	10	-8	x	2,0
	12	8	5	8	32,5	33,5	14	18	424	SKR	12	-8	x	1,5
	12	8	4	8	32,5	33,5	14	20	539	SKR	12	-8	x	2,0
	12	10	7	8	32,5	33,5	14	18	349	SKR	12	-10	x	1,5
S	16	10	6	11	39,0	40,5	15	43	400	SKR	16	-10	x	2,0
	16	12	9	11	39,0	40,5	15	45	297	SKR	16	-12	x	1,5
	16	12	8	11	39,0	40,5	15	47	383	SKR	16	-12	x	2,0
	16	12	7	11	39,0	40,5	15	49	400	SKR	16	-12	x	2,5
	20	12	9	14	45,0	47,0	17	76	297	SKR	20	-12	x	1,5
	20	12	8	14	45,0	47,0	17	78	383	SKR	20	-12	x	2,0
	20	12	7	14	45,0	47,0	17	80	400	SKR	20	-12	x	2,5
	20	12	6	14	45,0	47,0	17	86	400	SKR	20	-12	x	3,0
	20	16	12	14	45,0	47,0	17	74	297	SKR	20	-16	x	2,0
	20	16	11	14	45,0	47,0	17	76	362	SKR	20	-16	x	2,5
	20	16	10	14	45,0	47,0	17	78	400	SKR	20	-16	x	3,0
	25	12	9	18	49,5	53,0	20	117	297	SKR	25	-12	x	1,5
	25	12	8	18	49,5	53,0	20	121	383	SKR	25	-12	x	2,0
	25	12	7	18	49,5	53,0	20	125	400	SKR	25	-12	x	2,5
	25	12	6	18	49,5	53,0	20	129	400	SKR	25	-12	x	3,0
	25	16	12	18	49,5	53,0	20	115	297	SKR	25	-16	x	2,0
	25	16	11	18	49,5	53,0	20	120	362	SKR	25	-16	x	2,5
	25	16	10	18	49,5	53,0	20	123	400	SKR	25	-16	x	3,0
	25	20	16	18	49,5	53,0	20	94	242	SKR	25	-20	x	2,0
	25	20	15	18	49,5	53,0	20	104	297	SKR	25	-20	x	2,5
	25	20	14	18	49,5	53,0	20	114	349	SKR	25	-20	x	3,0
	25	20	12	18	49,5	53,0	20	124	400	SKR	25	-20	x	4,0

7.4

REDUCING WELD NIPPLE-SKR

SKR

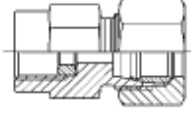
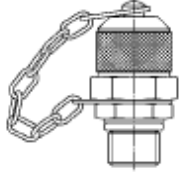

Straight Reducing Weld Nipple
For Tubes
with 24°-Coupling and O-Ring
S - Series



SERIES	D1	D2	D3	D4	L1	L2	L3	WT/SET IN gm	BAR	ME PART NO.				
S	30	12	9	23	52,0	57,0	22	135	297	SKR	30	-12	x	1,5
	30	12	8	23	52,0	57,0	22	145	383	SKR	30	-12	x	2,0
	30	12	6	23	52,0	57,0	22	155	400	SKR	30	-12	x	3,0
	30	16	12	23	52,0	57,0	22	166	297	SKR	30	-16	x	2,0
	30	16	11	23	52,0	57,0	22	176	362	SKR	30	-16	x	2,5
	30	20	16	23	52,0	57,0	22	149	242	SKR	30	-20	x	2,0
	30	20	15	23	52,0	57,0	22	159	297	SKR	30	-20	x	2,5
	30	20	14	23	52,0	57,0	22	169	349	SKR	30	-20	x	3,0
	30	20	12	23	52,0	57,0	22	184	400	SKR	30	-20	x	4,0
	30	25	20	23	52,0	57,0	22	141	242	SKR	30	-25	x	2,5
	30	25	19	23	52,0	57,0	22	156	286	SKR	30	-25	x	3,0
	30	25	17	23	52,0	57,0	22	168	369	SKR	30	-25	x	4,0
	38	12	9	30	56,5	64,0	26	219	297	SKR	38	-12	x	1,5
	38	12	8	30	56,5	64,0	26	234	315	SKR	38	-12	x	2,0
	38	12	6	30	56,5	64,0	26	249	315	SKR	38	-12	x	3,0
	38	16	12	30	56,5	64,0	26	279	297	SKR	38	-16	x	2,0
	38	16	11	30	56,5	64,0	26	294	315	SKR	38	-16	x	2,5
	38	16	10	30	56,5	64,0	26	309	315	SKR	38	-16	x	3,0
	38	20	16	30	56,5	64,0	26	263	242	SKR	38	-20	x	2,0
	38	20	15	30	56,5	64,0	26	278	297	SKR	38	-20	x	2,5
	38	20	14	30	56,5	64,0	26	293	315	SKR	38	-20	x	3,0
	38	20	12	30	56,5	64,0	26	299	315	SKR	38	-20	x	4,0
	38	25	20	30	56,5	64,0	26	242	242	SKR	38	-25	x	2,5
	38	25	19	30	56,5	64,0	26	262	286	SKR	38	-25	x	3,0
	38	25	17	30	56,5	64,0	26	285	315	SKR	38	-25	x	4,0
	38	30	24	30	56,5	64,0	26	256	242	SKR	38	-30	x	3,0
	38	30	22	30	56,5	64,0	26	286	315	SKR	38	-30	x	4,0
	38	30	20	30	56,5	64,0	26	316	315	SKR	38	-30	x	5,0

7.5

TUBE FITTINGS—SINGLE FERRULE DIN2353—GUAGE CONNECTOR

ME PART NO.—PAGE NO.		ME PART NO.—PAGE NO.	
<p>MAV 8.1</p>		<p>EMA-3 8.2</p>	
<p>SMA-3 8.3</p>			

GAUGE CONNECTER-MAV-R

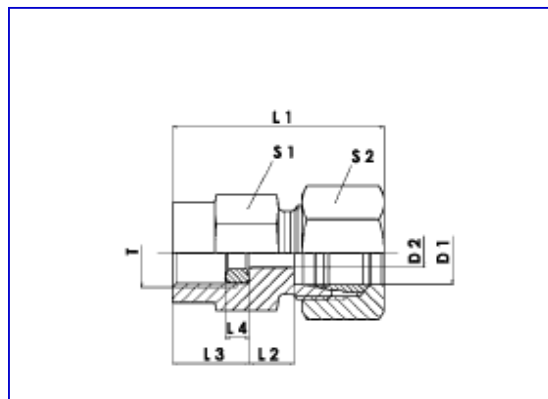
MAV - R

Pressure Gauge Connector

L and S - Series

Female Thread:BSPP

Metal Seal Edge Ring Internal
(DKRI)



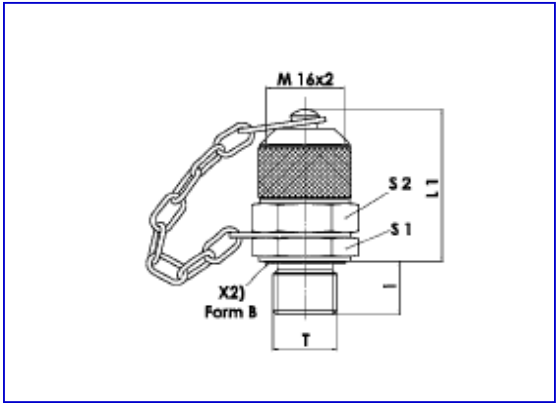
SERIES	D1	T	D2	L1	L2	L3	L4	S1	S2	WT/SET IN gm	BAR	ME PART NO.
L	6	G 1/4 "	3,5	37	7,5	14,5	4,5	19	14	49	315	MAV-R 6 L R 1/4
	6	G 1/2 "	3,5	46	9,0	20	5,0	27	14	42	315	MAV-R 6 L R 1/2
	8	G 1/4 "	3,5	37	7,5	14,5	4,5	19	17	55	315	MAV-R 8 L R 1/4
	8	G 1/2 "	3,5	46	9	20	5,0	27	17	48	315	MAV -R 8 L R 1/2
	10	G 1/4 "	3,5	38	8,5	14,5	4,5	19	19	62	315	MAV -R 10 L R 1/4
	10	G 1/2 "	3,5	47	9,5	20	5,0	27	19	56	315	MAV-R 10 L R 1/2
	12	G 1/4 "	3,5	38	8,5	14,5	4,5	19	22	72	315	MAV-R 12 L R 1/4
	12	G 1/2 "	3,5	48	10	20	5,0	27	22	69	315	MAV-R 12 L R 1/2
S	6	G 1/2 "	3,5	46	11	20	5	27	17	105	630	MAV-R 6 S R 1/2
	8	G 1/2 "	3,5	46	11	20	5	27	19	111	630	MAV-R 8 S R 1/2
	10	G 1/2 "	3,5	47	10,5	20	5	27	22	124	630	MAV-R 10 S R 1/2
	12	G 1/2 "	3,5	47	10,5	20	5	27	24	133	630	MAV-R 12 S R 1/2

8.1

MINIMESS COUPLING M 16x2

EMA 3

Test Point
 Threaded Connection:M16x2
 Sealing By An Profiled Ring DIN
 3869

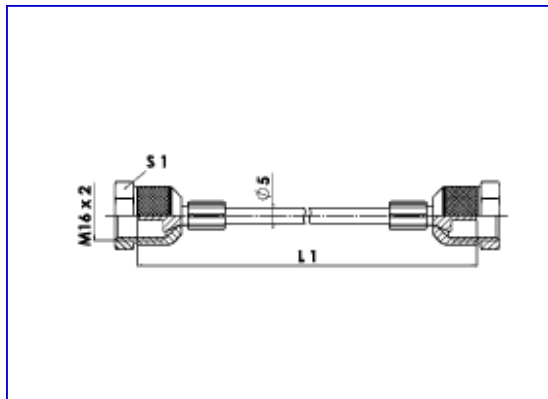


T	L1	i	S1	S2	WT/SET IN gm	BAR	ME PART NO.
G 1/4"	37	12	19	19	77	630	EMA 3 - G 1/4 ED

8.2

MINIMESS HOSE M 16x2

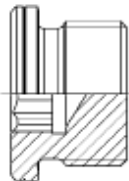
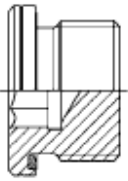
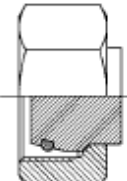
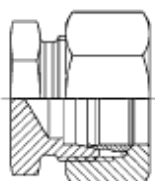
SMA 3
Measuring Hose



L1	S1	WT/SET IN gm	BAR	ME PART NO.	
200	19	73	630	SMA3	-200
400	19	74	630	SMA3	-400
630	19	74	630	SMA3	-630
800	19	79	630	SMA3	-800
1000	19	83	630	SMA3	-1000
1500	19	87	630	SMA3	-1500
2000	19	95	630	SMA3	-2000
2500	19	105	630	SMA3	-2500
3000	19	110	630	SMA3	-3000
3200	19	125	630	SMA3	-3200
4000	19	137	630	SMA3	-4000

8.3

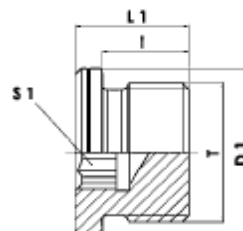
TUBE FITTINGS—SINGLE FERRULE DIN2353—CLOSURE CONN.

ME PART NO.—PAGE NO.		ME PART NO.—PAGE NO.	
VSTI 9.1		VSTI ED 9.2	
BUZ 9.3		PC 9.4	

BLANKING PLUG - VSTI - R

VSTI

Blanking Plug For Ports
Thread:BSPP
Metal Sealing Edge Form B



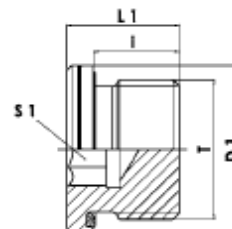
T	D1	L1	i	S1	WT/SET IN gm	BAR	ME PART NO.
G 1/8 "	14,0	12	8	5	8	400	VSTI R 1/8
G 1/4 "	18,0	17	12	6	20	400	VSTI R 1/4
G 3/8 "	22,0	17	12	8	25	400	VSTI R 3/8
G 1/2 "	26,0	19	14	10	42	400	VSTI R 1/2
G 3/4 "	31,9	21	14	12	79	400	VSTI R 3/4
G 1/1 "	39,0	22,5	16	17	130	400	VSTI R 1/1
G 1.1/4 "	49,9	22,5	16	22	198	315	VSTI R 1.1/4
G 1.1/2 "	54,9	22,5	16	24	263	315	VSTI R 1.1/2

9.1

BLANKING PLUG - VSTI - ED

VSTI - ED

Blanking Plug For Ports
Thread:BSPP
Sealing By An Profiled Ring DIN
3869



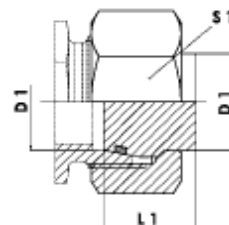
T	D1	L1	i	S1	WT/SET IN gm	BAR	ME PART NO.
G 1/8 "	14	12	8	5	8	400	VSTI-ED R 1/8 ED
G 1/4 "	19	17	12	6	20	400	VSTI-ED R 1/4 ED
G 3/8 "	22	17	12	8	25	400	VSTI-ED R 3/8 ED
G 1/2 "	27	19	14	10	51	400	VSTI-ED R 1/2 ED
G 3/4 "	32	21	16	12	79	400	VSTI-ED R 3/4 ED
G 1 "	40	22,5	16	17	130	400	VSTI-ED R 1 ED
G 1.1/4 "	50	22,5	16	22	198	315	VSTI-ED R 1.1/4 ED
G 1.1/2 "	55	22,5	16	24	263	315	VSTI-ED R 1.1/2 ED

9.2

CLOSURE PLUG - BUZ

BUZ

Blanking Plug With Nut
For Cone
With 24° DKO-Swivel And O-Ring
L and S - Series



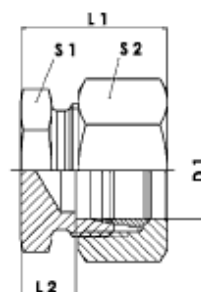
SERIES	D1	L1	S1	WT/SET IN gm	BAR	ME PART NO.		
L	6	17,5	14	15	315	BUZ	6	L
	8	18,5	17	24	315	BUZ	8	L
	10	19,0	19	33	315	BUZ	10	L
	12	19,0	22	46	315	BUZ	12	L
	15	19,5	27	73	315	BUZ	15	L
	18	20,0	32	111	315	BUZ	18	L
	22	20,5	36	162	160	BUZ	22	L
	28	21,5	41	220	160	BUZ	28	L
	35	23,5	50	376	160	BUZ	35	L
	42	23,5	60	558	160	BUZ	42	L
S	6	17,5	17	23	630	BUZ	6	S
	8	18,5	19	29	630	BUZ	8	S
	10	19,0	22	46	630	BUZ	10	S
	12	19,0	24	55	630	BUZ	12	S
	14	20,0	27	83	630	BUZ	14	S
	16	20,0	30	106	400	BUZ	16	S
	20	24,0	36	180	400	BUZ	20	S
	25	25,0	46	322	400	BUZ	25	S
	30	26,5	50	398	400	BUZ	30	S
	38	28,5	60	647	315	BUZ	38	S

9.3

TUBE ENDS - PC

PC


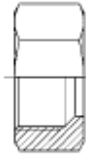

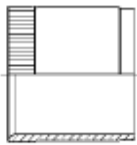
Blanking Plug For Tube Ends
With 24° Coupling
L and S - Series



SERIES	D1	L1	L2	S1	S2	WT/SET IN gm	BAR	ME PART NO.
L	6	22	7,0	12	14	20	315	PC 6 L
	8	23	8,0	14	17	30	315	PC 8 L
	10	24	9,0	17	19	38	315	PC 10 L
	12	25	10,0	19	22	53	315	PC 12 L
	15	26	11,0	24	27	88	315	PC 15 L
	18	28	11,5	27	32	124	315	PC 18 L
	22	30	13,5	32	36	173	160	PC 22 L
	28	31	14,5	41	41	236	160	PC 28 L
	35	36	14,5	46	50	360	160	PC 35 L
	42	39	16,0	55	60	557	160	PC 42 L
S	6	26	11,0	14	17	36	630	PC 6 S
	8	28	13,0	17	19	51	630	PC 8 S
	10	29	12,5	19	22	67	630	PC 10 S
	12	31	14,5	22	24	88	630	PC 12 S
	14	34	16,0	24	27	119	630	PC 14 S
	16	34	15,5	27	30	147	400	PC 16 S
	20	39	17,5	32	36	238	400	PC 20 S
	25	44	20,0	41	46	444	400	PC 25 S
	30	47	20,5	46	50	548	400	PC 30 S
	38	54	23,0	55	60	870	315	PC 38 S

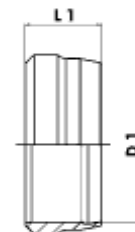
9.4

TUBE FITTINGS—SINGLE FERRULE DIN2353—COMPONENT.

ME PART NO.—PAGE NO.		ME PART NO.—PAGE NO.	
F 10.1		N 10.2	
CN 10.3		VSH 10.4	

FERRULE - F

F
Cutting Ring
LL, L and S - Series
Surface: Hardened and Treatment
Protected

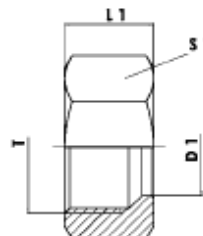


SERIES	D1	L1	WT/SET IN gm	BAR	ME PART NO.		
LL	4	6	0,3	100	F	4	LL
	6	7	0,8	100	F	6	LL
	8	7	1,0	100	F	8	LL
	10	8	1,3	100	F	10	LL
	12	7,5	1,6	100	F	12	LL
L	6	9,5	1,7	315	F	6	L
	8	9	2,2	315	F	8	L
	10	9,5	3,1	315	F	10	L
	12	10	3,5	315	F	12	L
	15	9,5	4,5	315	F	15	L
	18	9,5	5,5	315	F	18	L
	22	10,5	7,3	160	F	22	L
	28	11	9,4	160	F	28	L
	35	13,5	20,0	160	F	35	L
42	13,5	23,0	160	F	42	L	
S	6	9,5	0,6	630	F	6	S
	8	9	3,2	630	F	8	S
	10	9,5	3,1	630	F	10	S
	12	10	3,5	630	F	12	S
	14	10	3,9	630	F	14	S
	16	9,5	5,6	400	F	16	S
	20	13	11,4	400	F	20	S
	25	12,5	13,3	400	F	25	S
	30	12,5	19,3	400	F	30	S
	38	13,5	22,5	315	F	38	S

10.1

NUT - N

N
Nut DIN 3870
For Cutting Ring Connection
LL, L and S - Series



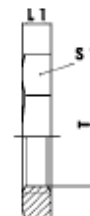
10.2

SERIES	D1	T	L1	S1	WT/SET IN gm	BAR	ME PART NO.
LL	4	M 8 x 1	11	10	4	100	N 4 LL
	6	M 10 x 1	11,5	12	6	100	N 6 LL
	8	M 12 x 1	12	14	7	100	N 8 LL
	10	M 14 x 1	12,5	17	11	100	N 10 LL
	12	M 16 x 1	13	19	13	100	N 12 LL
L	6	M 12 x 1,5	14,5	14	10	315	N 6 L
	8	M 14 x 1,5	14,5	17	15	315	N 8 L
	10	M 16 x 1,5	15,5	19	18	315	N 10 L
	12	M 18 x 1,5	15,5	22	25	315	N 12 L
	15	M 22 x 1,5	17	27	42	315	N 15 L
	18	M 26 x 1,5	18	32	62	315	N 18 L
	22	M 30 x 2	20	36	82	160	N 22 L
	28	M 36 x 2	21	41	89	160	N 28 L
	35	M 45 x 2	24	50	137	160	N 35 L
42	M 52 x 2	24	60	216	160	N 42 L	
S	6	M 14 x 1,5	16,5	17	17	630	N 6 S
	8	M 16 x 1,5	16,5	19	20	630	N 8 S
	10	M 18 x 1,5	17,5	22	31	630	N 10 S
	12	M 20 x 1,5	17,5	24	34	630	N 12 S
	14	M 22 x 1,5	20,5	27	53	630	N 14 S
	16	M 24 x 1,5	20,5	30	66	400	N 16 S
	20	M 30 x 2	24	36	102	400	N 20 S
	25	M 36 x 2	27	46	202	400	N 25 S
	30	M 42 x 2	29	50	219	400	N 30 S
38	M 52 x 2	32,5	60	339	315	N 38 S	

CHECK NUT - CN

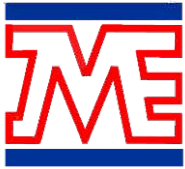
CN

Lock Nut DIN 80705
For Bulkhead Coupling



SERIES	SIZE	T	L1	S1	WT/SET IN gm	ME PART NO.
L	6	M 12 x 1,5	6	17	7	CN 6 L
	8	M 14 x 1,5	6	19	8	CN 8 L
	10	M 16 x 1,5	6	22	11	CN 10 L
	12	M 18 x 1,5	6	24	12	CN 12 L
	15	M 22 x 1,5	7	30	23	CN 15 L
	18	M 26 x 1,5	8	36	37	CN 18 L
	22	M 30 x 2	8	41	46	CN 22 L
	28	M 36 x 2	9	46	58	CN 28 L
	35	M 45 x 2	9	55	71	CN 35 L
42	M 52 x 2	10	65	123	CN 42 L	
S	6	M 14 x 1,5	6	19	8	CN 6 S
	8	M 16 x 1,5	6	22	11	CN 8 S
	10	M 18 x 1,5	6	24	12	CN 10 S
	12	M 20 x 1,5	6	27	15	CN 12 S
	14	M 22 x 1,5	7	30	23	CN 14 S
	16	M 24 x 1,5	7	32	24	CN 16 S
	20	M 30 x 2	8	41	46	CN 20 S
	25	M 36 x 2	9	46	58	CN 25 S
	30	M 42 x 2	9	50	58	CN 30 S
	38	M 52 x 2	10	65	123	CN 38 S

10.3



M E HYDRAULICS PRIVATE LIMITED

adding value to customers



Exports to:

- USA
- UK
- UAE
- SWEDEN
- SINGAPORE
- KUWAIT
- ITALY
- GERMANY
- CHILE



M E HYDRAULICS PVT LTD

UNIT 4, MERCHANT IND ESTATE 1
VALIV ROAD, VASAI EAST
MUMBAI - 401208 - INDIA
Email:- info@mehydro.com

Tel: +91-9320160600
Web: www.mehydro.com

ISO 9001:2015 Certified Company

www.mehydro.com