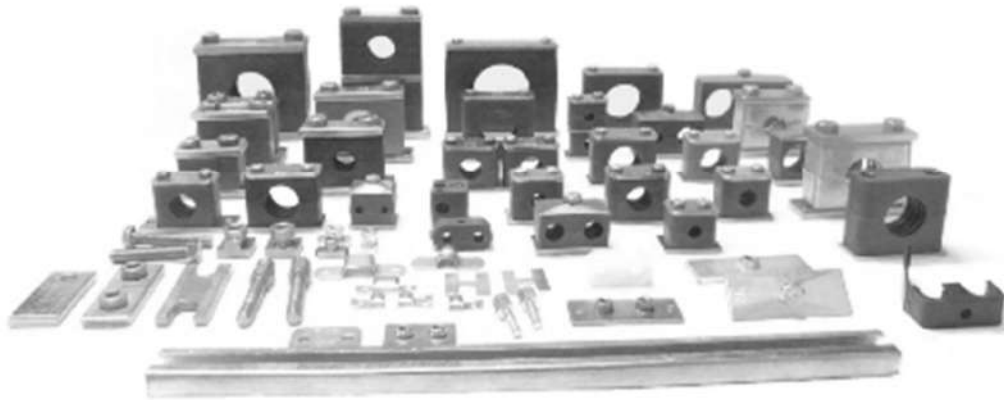


DIN 3015 Tube Clamps



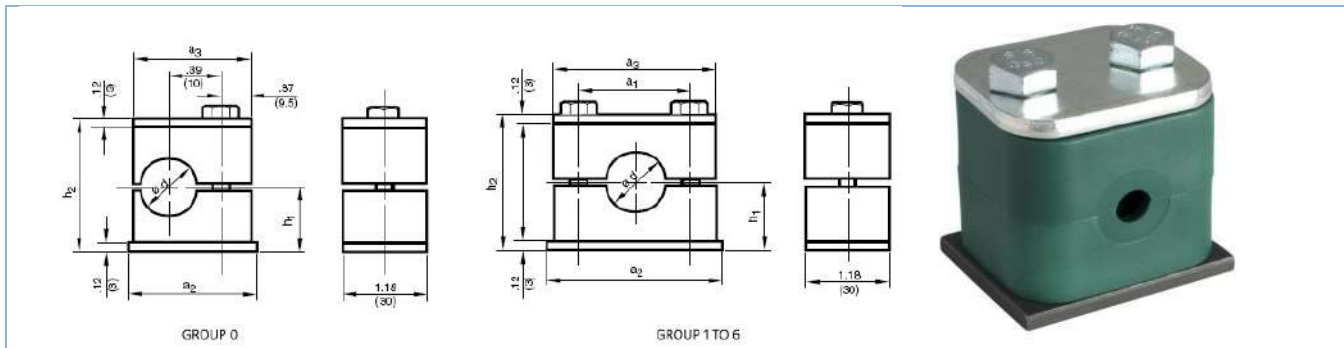
Contact Us...

Corporate Office
Unit 4, Merchant Ind. Estate no.1
Valiv Road, Vasai East,
Mumbai - 401208, Maharashtra, India.

Tel: +91 9320160600
Email: mehydro@mehydro.com
sales@mehydro.com
Web: [www,mehydro.com](http://www.mehydro.com)

DIN3015- Part1

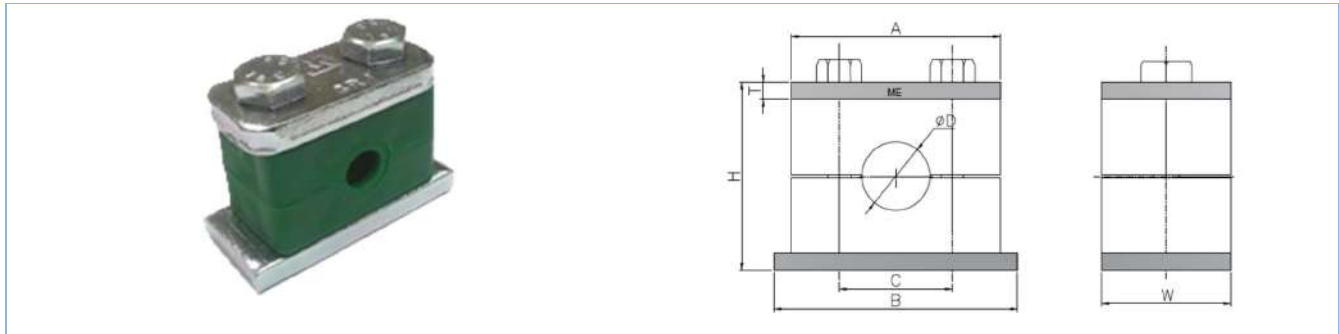
STANDARD SERIES CLAMPS – PCL



DIN / ME GROUP	mm OD	Inch od	Inch NB	a2	a3	a1	THK	h2	Width	BOLT SIZE
0	6	1/4"		31.5	27	10	3	33	30	M6x30
	8									
	10	3/8"	1/8"							
	12									
1	4			43	37	20	3	33	30	M6x30
	6									
	6.4	1/4"								
	8									
	9.5	3/8"	1/8"							
	10									
2	12.7	1/2"		48	42	26	3	39	30	M6x35
	13.5		1/4"							
	14									
	15									
	16	5/8"								
	17.2		3/8"							
3	18			56	50	33	3	42	30	M6x40
	19	3/4"								
	20									
	21.3		1/2"							
	22									
4	25	1"		65	59	40	3	48	30	M6x45
	26.9		3/4"							
	28									
5	30			77	71	52	3	64	30	M6x60
	32	1 1/4"								
	33.7		1"							
	35									
	38	1 1/2"								
6	40			92	86	66	3	72	30	M6x70
	42		1 1/4"							
	44.5	1 3/4"								
	48.3		1 1/2"							
	50.8	2"								
	57.2	2 1/4"								
7	60.3		2"	122	118	94	5	103	30	M6x100
	63.5	2 1/2"								
	70	2 3/4"								
	73		2 1/2"							
	76.1	3"	2 1/2"							
8	88.9	3 1/2"	3"	148	147	120	5	128	30	M6x125
	101.6	4"								

DIN3015- Part2

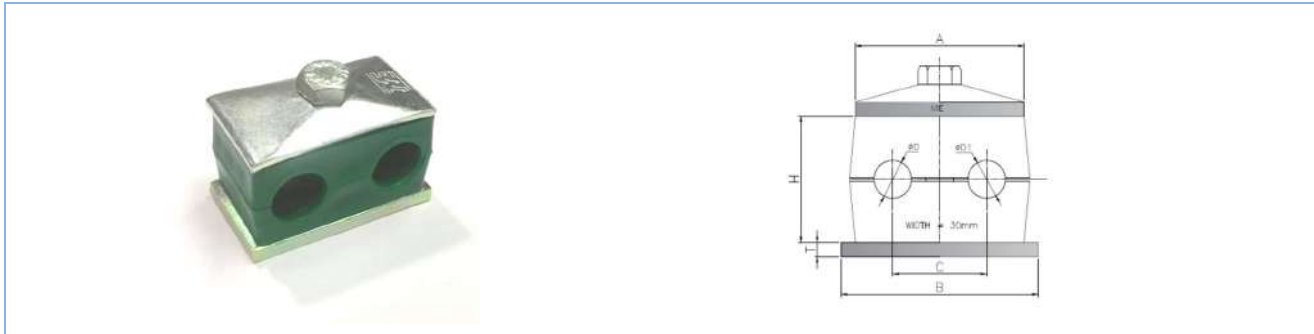
HEAVY SERIES CLAMPS – PCH



DIN / ME GROUP	mm OD	Inch od	Inch NB	A	C	H	W	B	T	BOLT SIZE
1	6			55	33	48	30	70	8	M10x45
	6.4	1/4"								
	8									
	9.5	3/8"								
	10		1/8"							
	12									
	12.7	1/2"								
	13.5		1/4"							
	14									
	15									
	16	5/8"								
2	17.2		3/8"	70	45	64	30	85	8	M10x60
	18									
	19	3/4"								
	20									
	21.3		1/2"							
	22									
	25	1"								
	26.9		3/4"							
	28									
	30									
	30									
3	32	1 1/4"		85	60	76	30	100	8	M10x70
	33.7		1"							
	35									
	38	1 1/2"								
	42		1 1/4"							
4	42		1 1/2"	115	90	107	45	140	10	M12x100
	48.3		1 1/2"							
	50.8	2"								
	57	2 1/4"								
	60.3		2"							
	63.5	2 1/2"								
	65									
5	70	2 3/4"		152	122	140	60	180	10	M16x130
	73		2 1/2"							
	76.1	3"	2 1/2"							
	88.9	3 1/2"	3"							
6	102	4"		206	168	197	80	226	15	M20x190
	114		4"							
	127	5"								
	133	5 1/4"								
7	141		5"	251	205	230	91	270	15	M24x225
	152	6"								
	168		6"							
8	168		6"	320	265	320	120	340	25	M24x225
	193.7		7"							
	219		8"							

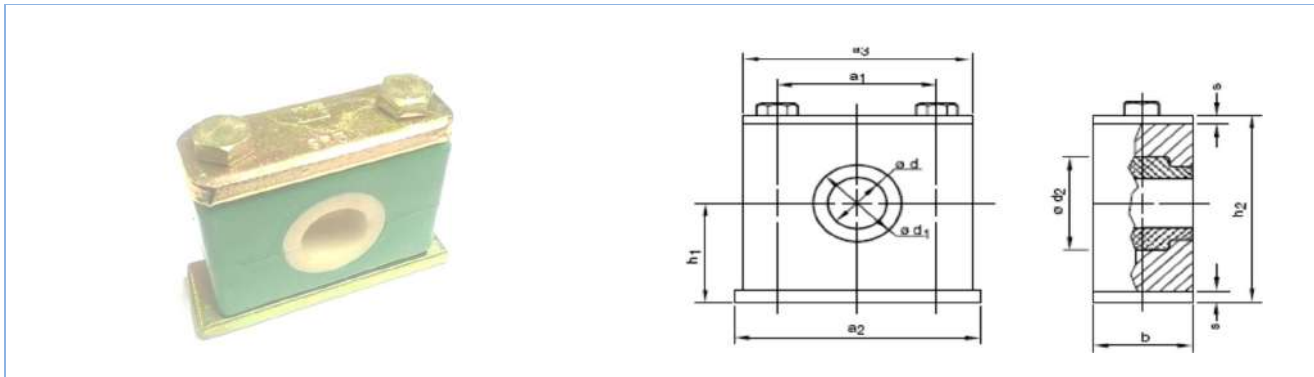
DIN3015- Part3

TWIN SERIES CLAMPS – PCT



DIN / ME GROUP	mm OD	Inch od	Inch NB	B	A	C	T	H	BOLT SIZE
1	6			42	36	20	3	27	M6x35
	6.4	1/4"							
	8								
	9.5	3/8"							
	10		1/8"						
2	12			59	53	29	5	27	M8x35
	12.7	1/2"							
	13.5		1/4"						
	14								
	15								
	16	5/8"							
3	17.2		3/8"	74	67	36	5	37	M8x45
	18								
	19	3/4"							
	20								
4	21.3		1/2"	86	80	45	5	40	M8x50
	22								
	25	1"							
5	26.9		3/4"	112	106	56	5	53	M8x60
	28								
	30								
	32	1 1/4"							
	33.7		1"						
	35								
38	1 1/2"								
40									
42		1 1/4"							

Pipe Clamp with Rubber Insert



DIN / ME GROUP	PIPE OD Dia	a ₃	a ₁	h ₂	b	a ₂	s	BOLT SIZE
2	10	70	45	64	30	85	8	M10x60
	12							
	12.7							
	14							
	15							
	16							
	17.2							
	18							
3	19	85	60	76	30	100	8	M10x70
	20							
	21.3							
	22							
	25							
	26.9							
	28							
	30							
4	32	115	90	107	45	140	10	M12x100
	32							
	33.7							
	35							
	38.7							
	40							
	42							
	45.5							
	48							
	51							
5	53.4	152	122	140	60	180	10	M16x130
	56.4							
	55							
	57							
	60							
	65							
6	70	206	168	197	80	226	15	M20x225
	72							
7	76	251	205	230	100	270	15	M24x225
	80							
8	88.9	320	265	350	125	340	25	M30x300

DIN 3015 - Part 1

Standard Series Clamps

MATERIAL	CARBON STEEL	SS304	SS316
SUFFIX	NO SUFFIX	SS304	SS316



Cover Plate - TP				GROUP 0	GROUP 1-8
DIN / ME Group	ME PART NO.	L	C		
0	TP-0	28	-		
1	TP-1	37	20		
2	TP-2	42	26		
3	TP-3	50	33		
4	TP-4	59	40		
5	TP-5	70	52		
6	TP-6	86	66		
7	TP-7	118	94		
8	TP-8	144	120		

Weld Plate - BP				GROUP 0	GROUP 1-8
DIN / ME Group	ME PART NO.	L	C		
0	BP-0	43	-		
1	BP-1	43	20		
2	BP-2	48	26		
3	BP-3	56	33		
4	BP-4	65	40		
5	BP-5	77	52		
6	BP-6	92	66		
7	BP-7	122	94		
8	BP-8	148	120		

Elongated Weld Plate - EBP				GROUP 0	GROUP 1-8
DIN / ME Group	ME PART NO.	L1	C1		
0	EBP-0	43	-		
1	EBP-1	43	20		
2	EBP-2	48	26		
3	EBP-3	56	33		
4	EBP-4	65	40		
5	EBP-5	77	52		
6	EBP-6	92	66		
7	EBP-7	122	94		
8	EBP-8	148	120		



DIN 3015 - Part 1

Standard Series Clamps

DIN / ME Group	ME PART NO.	DOUBLE WELD PLATE	ME PART NO.	GROUP WED PLATE [10NOS. MAX]
0	DBP-0		X-GBP-0	
1	DBP-1		X-GBP-1	
2	DBP-2		X-GBP-2	
3	DBP-3		X-GBP-3	
4	DBP-4		X-GBP-4	
5	DBP-5		X-GBP-5	
6	DBP-6		X-GBP-6	
7	DBP-7		X-GBP-7	
8	DBP-8		X-GBP-8	

'X' DENOTES NUMBER OF CLAMPS

DIN / ME Group	ME PART NO.	HEX BOLT – DIN 931/933	ME PART NO.	SOCKET HEAD BOLT – DIN 912
0	HB-0		SB-0	
1	HB-1		SB-1	
2	HB-2		SB-2	
3	HB-3		SB-3	
4	HB-4		SB-4	
5	HB-5		SB-5	
6	HB-6		SB-6	
7	HB-7		SB-7	
8	HB-8		SB-8	

DIN / ME Group	ME PART NO.	STACKING BOLT	ME PART NO.	STACKING PLATE
0	STB-0		-	
1	STB-1		STP-1	
2	STB-2		STP-2	
3	STB-3		STP-3	
4	STB-4		STP-4	
5	STB-5		STP-5	
6	STB-6		STP-6	
7	STB-7		STP-7	
8	STB-8		STP-8	

STACKING WASHER M6 STW M6	RAIL NUT – M6 RNM6	MOUNTING RAIL MR11	MOUNTING RAIL MR14
DIN / ME Group 0 - 8	DIN / ME Group 0 - 8	DIN / ME Group 0 - 8	DIN / ME Group 0 - 8
		 11mm Height – 1mtr long	 14mm height –1mtr long

DIN 3015 - Part 1

Standard Series Clamps

DIN / ME GROUP	mm OD	Inch od	Inch NB	ME PART NO.	
0	4			0-JPCL-4-X	<p>GROUP 0 - PP</p>
	6			0-JPCL-6-X	
	6.4	1/4"		0-JPCL-6.4-X	
	8			0-JPCL-8-X	
	9.5	3/8"		0-JPCL-9.5-X	
	10		1/8"	0-JPCL-10-X	
	12			0-JPCL-12-X	
1	4			1-JPCL-4-X	<p>GROUP 1-8 -PP</p>
	6			1-JPCL-6-X	
	6.4	1/4"		1-JPCL-6.4-X	
	8			1-JPCL-8-X	
	9.5	3/8"		1-JPCL-9.5-X	
	10		1/8"	1-JPCL-10-X	
	12			1-JPCL-12-X	
2	12.7	1/2"		2-JPCL-12.7-X	<p>PA - PolyAmide</p>
	13.5		1/4"	2-JPCL-13.5-X	
	14			2-JPCL-14-X	
	15			2-JPCL-15-X	
	16	5/8"		2-JPCL-16-X	
	17.2		3/8"	2-JPCL-17.2-X	
	18			2-JPCL-18-X	
3	19	3/4"		3-JPCL-19-X	
	20			3-JPCL-20-X	
	21.3		1/2"	3-JPCL-21.3-X	
	22			3-JPCL-22-X	
	25	1"		3-JPCL-25-X	
4	26.9		3/4"	4-JPCL-26.9-X	<p>AL-Aluminum</p>
	28	1 1/8"		4-JPCL-28-X	
	30			4-JPCL-30-X	
5	32	1 1/4"		5-JPCL-32-X	
	33.7		1"	5-JPCL-33.7-X	
	35			5-JPCL-35-X	
	38	1 1/2"		5-JPCL-38-X	
	40			5-JPCL-40-X	
	42		1 1/4"	5-JPCL-42-X	
6	44.5	1 3/4"		6-JPCL-44.5-X	<p>Smooth Bore</p>
	48.3		1 1/2"	6-JPCL-48.3-X	
	50.8	2"		6-JPCL-50.8-X	
7	57.2	2 1/4"		7-JPCL-57.5-X	
	60.3		2"	7-JPCL-60.3-X	
	63.5	2 1/2"		7-JPCL-63.5-X	
	70	2 3/4"		7-JPCL-70-X	
	73			7-JPCL-73-X	
	76.1	3"	2 1/2"	7-JPCL-76.1-X	
8	88.9	3 1/2"	3"	8-JPCL-88.9-X	
	101.6	4"		8-JPCL-101.6-X	

	PolyPropylene	PolyAmide	Aluminum
X	PP / PPH	PA / PAH	AL
20MM JAWS – PROFILE INSIDE WITH TENSION CLEARANCE	3-JPCL-20-PP	3-JPCL-20-PA	3-JPCL-20-AL
20MM SMOOTH BORE JAWS WITHOUT TENSION CLEARANCE	3-JPCL-20-PPH	3-JPCL-20-PAH	N.A.

DIN 3015 - Part 1

Standard Series Clamps

ASSEMBLY

PCL	PCL1	PCL2	PCL3
JAWS + HEX BOLT + TOP PLATE + WELD PLATE	JAWS + SOCKET HEAD BOLT + WELD PLATE	JAWS + SOCKET HEAD BOLT + RAIL NUT	JAWS + HEX BOLT + TOP PLATE + RAIL NUT
			
PCL4	PCL5	PCL6	PCL7
JAWS + STACKING BOLT + STACKING PLATE	JAWS + SOCKET HEAD BOLT + ELONGATED WELD PLATE	JAWS + SOCKET HEAD BOLT + ELONGATED WELD PLATE	JAWS + HEX BOLT + TOP PLATE + DOUBLE WELD PLATE
			

ASSEMBLY CODE:- GROUP SIZE –TYPE OF ASSEMBLY - JAW TYPE – TUBE OD – MATERIAL OF METAL PARTS

20mm OD PP clamps with SS316 Top plate + Weld Plate & Hex Bolt = 3-PCL-PP-20-SS316	20mm OD PP clamps with STEEL Top plate + Elongated Weld Plate & Hex Bolt = 3-PCL5-PP-20	20mm OD PA SMOOTH bore clamps with SS316 Stacking plate & Stacking Bolt = 3-PCL4-PAH-20-SS316	20mm OD PP clamps with STEEL Top plate & Rail Nut = 3-PCL3-PP-20
--	---	---	--

DIN 3015 - Part 2

Heavy Series Clamps

MATERIAL	CARBON STEEL	SS304	SS316
SUFFIX	NO SUFFIX	SS304	SS316



Cover Plate - TPH					GROUP 1-8	
DIN / ME Group	ME PART NO.	L	T	W		
1	TPH-1	56	8	30		
2	TPH-2	70	8	30		
3	TPH-3	85	8	30		
4	TPH-4	115	10	45		
5	TPH-5	152	10	60		
6	TPH-6	206	15	80		
7	TPH-7	251	15	90		
8	TPH-8	320	25	125		



Weld Plate - BPH					GROUP 1-8	
DIN / ME Group	ME PART NO.	L	T	W		
1	BPH-1	72	8	30		
2	BPH-2	85	8	30		
3	BPH-3	100	8	30		
4	BPH-4	140	10	45		
5	BPH-5	180	10	60		
6	BPH-6	226	15	80		
7	BPH-7	270	15	90		
8	BPH-8	340	25	125		



Elongated Weld Plate - EBP					GROUP 1-8	
DIN / ME Group	ME PART NO.	L1	T	W		
1	EBPH-1	43	8	30		
2	EBPH-2	48	8	30		
3	EBPH-3	56	8	30		
4	EBPH-4	65	10	45		
5	EBPH-5	77	10	60		
6	EBPH-6	92	15	80		
7	EBPH-7	122	15	90		
8	EBPH-8	148	25	125		



DIN 3015 - Part 2

Heavy Series Clamps

DIN / ME Group	ME PART NO.	DOUBLE TOP PLATE	ME PART NO.	DOUBLE WELD PLATE
1	DTPH-1		DBPH-1	
2	DTPH-2		DBPH-2	
3	DTPH-3		DBPH-3	
4	DTPH-4		DBPH-4	
5	DTPH-5		DBPH-5	
6	DTPH-6		DBPH-6	
7	DTPH-7		DBPH-7	
8	DTPH-8		DBPH-8	



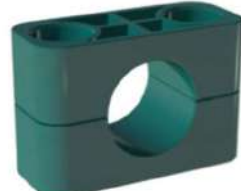

DIN / ME Group	ME PART NO.	HEX BOLT – DIN 931/933	ME PART NO.	SOCKET HEAD BOLT – DIN 912
1	HHB-1		SBH-1	
2	HHB-2		SBH-2	
3	HHB-3		SBH-3	
4	HHB-4		SBH-4	
5	HHB-5		-	
6	HHB-6		-	
7	HHB-7		-	
8	HHB-8		-	

DIN / ME Group	ME PART NO.	STACKING BOLT	ME PART NO.	STACKING PLATE
1	STBH-1		STPH-1	
2	STBH-2		STPH-2	
3	STBH-3		STPH-3	
4	STBH-4		STPH-4	
5	STBH-5		STPH-5	
6	STBH-6		STPH-6	
7	STBH-7		STPH-7	
8	STBH-8		STPH-8	

DIN / ME Group	ME PART NO.	RAIL NUT	ME PART NO.	MOUNTIN RAIL
1	RNHM10		MRH	
2				
3				
4	RNHM12			
5	-			
6	-			
7	-			
8	-			

DIN 3015 - Part 2

Heavy Series Clamps

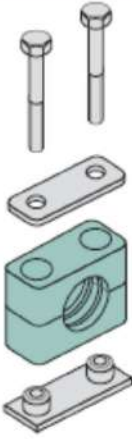
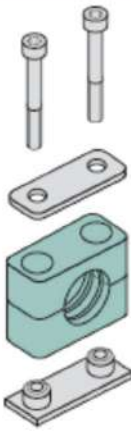
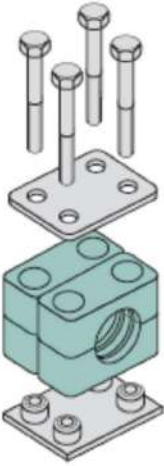
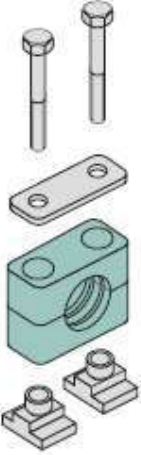
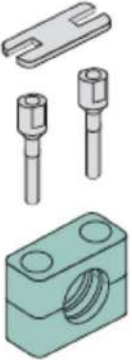
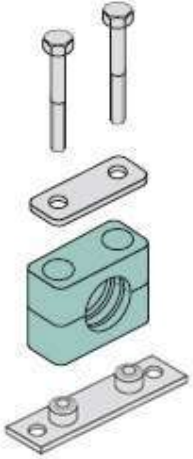
DIN / ME GROUP	mm OD	Inch od	Inch NB	ME PART NO.	
1	6			1-JPCH-6-X	PP- Poly Propylene 
	6.4	1/4"		1-JPCH-6.4-X	
	8			1-JPCH-8-X	
	9.5	3/8"		1-JPCH-9.5-X	
	10		1/8"	1-JPCH-10-X	
	12			1-JPCH-12-X	
	12.7	1/2"		1-JPCH-12.7-X	
	13.5		1/4"	1-JPCH-13.5-X	
	14			1-JPCH-14-X	
	15			1-JPCH-15-X	
2	16	5/8"		1-JPCH-16-X	PA- Poly Amide 
	17.2		3/8"	1-JPCH-17.1-X	
	18			1-JPCH-18-X	
	19	3/4"		2-JPCH-19-X	
	20			2-JPCH-20-X	
	21.3		1/2"	2-JPCH-21.3-X	
	22			2-JPCH-22-X	
3	25	1"		2-JPCH-25-X	Smooth Bore 
	26.9		3/4"	2-JPCH-26.9-X	
	28	1 1/8"		2-JPCH-28-X	
	30			2-JPCH-30-X	
	30			3-JPCH-30-X	
	32	1 1/4"		3-JPCH-32-X	
4	33.7		1"	3-JPCH-33.7-X	Aluminum 
	35			3-JPCH-35-X	
	38	1 1/2 "		3-JPCH-38-X	
	40			3-JPCH-40-X	
	42		1 1/4"	3-JPCH-42-X	
	42		1 1/4"	4-JPCH-42-X	
	44.5	1 3/4"		4-JPCH-44.5-X	
5	48.3		1 1/2 "	4-JPCH-48.3-X	
	50.8	2"		4-JPCH-50.8-X	
	55			4-JPCH-55-X	
	57	2 1/4"		4-JPCH-57-X	
	60.3		2"	4-JPCH-60.3-X	
	63.5	2 1/2"		4-JPCH-63.5-X	
	65			4-JPCH-65-X	
	70			4-JPCH-70-X	
6	73			5-JPCH-73-X	
	76.1	3"	2 1/2"	5-JPCH-76.1-X	
	80			5-JPCH-80-X	
	82.5	3 1/4"		5-JPCH-82.5-X	
7	88.9	3 1/2"	3"	5-JPCH-88.9-X	
	100			6-JPCH-100-X	
	102		3 1/2"	6-JPCH-102-X	
	108	4 1/4"		6-JPCH-108-X	
	114		4"	6-JPCH-114-X	
8	127	5"		6-JPCH-127-X	
	133	5 1/4"		6-JPCH-133-X	
	140		5"	7-JPCH-140-X	
9	152	6"		7-JPCH-152-X	
	168		6"	7-JPCH-168-X	
10	193	7"		8-JPCH-193-X	
	219		8"	8-JPCH-219-X	

	PolyPropylene	PolyAmide	Aluminum
X	PP / PPH	PA / PAH	AL
20MM JAWS – PROFILE INSIDE WITH TENSION CLEARANCE	2-JPCH-20-PP	2-JPCH-20-PA	2-JPCH-20-AL
20MM JAWS – SMOOTH INSIDE NO TENSION CLEARANCE	2-JPCH-20-PPH	2-JPCH-20-PAH	-

DIN 3015 - Part 2

Heavy Series Clamps

ASSEMBLY

PCH	PCH1	PCH2	PCH3
JAWS + HEX BOLT + TOP PLATE + WELD PLATE	JAWS + SOCKET HEAD BOLT + TOP PLATE + WELD PLATE	JAWS + HEX BOLT + DOUBLE TOP PLATE + DOUBLE WELD PLATE	JAWS + HEX BOLT + TOP PLATE + RAIL NUT
			
PCH4	PCH5		
JAWS + STACKING BOLT + STACKING PLATE	JAWS + HEX BOLT + TOP PLATE + EXTENSION PLATE		
			

ASSEMBLY CODE:- GROUP SIZE –TYPE OF ASSEMBLY - JAW TYPE – TUBE OD – MATERIAL OF METAL PARTS

20mm OD PP clamps with SS316 Top plate + Weld Plate & Hex Bolt = 2-PCH-PP-20-SS316	20mm OD PP clamps with STEEL Top plate + Elongated Weld Plate & Hex Bolt = 2-PCH5-PP-20	20mm OD PA SMOOTH bore clamps with SS316 Stacking plate & Stacking Bolt = 2-PCH4-PAH-20-SS316	20mm OD PP clamps with STEEL Top plate, Hex Bolt & Rail Nut = 3-PCH3-PP-20
--	---	---	--

DIN 3015 - Part 3

Twin Series

MATERIAL	CARBON STEEL	SS304	SS316
SUFFIX	NO SUFFIX	SS304	SS316

Cover Plate - TPT					GROUP 1-5	
DIN / ME Group	ME PART NO.	L	T	W		
1	TPT-1	34	3	30		
2	TPT-2	52	3	30		
3	TPT-3	65	3	30		
4	TPT-4	79	3	30		
5	TPT-5	102	3	30		

Weld Plate - BPT					GROUP 1-5	
DIN / ME Group	ME PART NO.	L	T	W		
1	BPT-1	56	8	30		
2	BPT-2	70	8	30		
3	BPT-3	85	8	30		
4	BPT-4	115	10	45		
5	BPT-5	152	10	60		

DIN / ME Group	ME PART NO.	HEX BOLT - DIN931/933	ME PART NO.	SOCKET HEAD BOLT - DIN912
1	THB-1		SBT-1	
2	THB-2		SBT-2	
3	THB-3		SBT-3	
4	THB-4		SBT-4	
5	THB-5		SBT-5	

DIN / ME Group	ME PART NO.	STACKING BOLT		
1	STBT-1			
2	STBT-2			
3	STBT-3			
4	STBT-4			
5	STBT-5			

STACKING WASHER STW M6 / STW M8	RAIL NUT RNM6 – RNM8	MOUNTING RAIL MR11	MOUNTING RAIL MR14
DIN / ME Group 1 - 5	DIN / ME Group 1 - 5	DIN / ME Group 1-5	DIN / ME Group 1-5
		 11mm Height – 1mtr long	 14mm height –1mtr long

DIN 3015 - Part 3

Twin Series Clamps

DIN / ME GROUP	mm OD	Inch od	Inch NB	ME PART NO.
1	6			1-JPCT-6-X
	6.4	1/4"		1-JPCT-6.4-X
	8			1-JPCT-8-X
	9.5	3/8"		1-JPCT-9.5-X
	10		1/8"	1-JPCT-10-X
	12			1-JPCT-12-X
2	12.7	1/2"		2-JPCT-12.7-X
	13.5		1/4"	2-JPCT-13.5-X
	14			2-JPCT-14-X
	15			2-JPCT-15-X
	16	5/8"		2-JPCT-16-X
	17.2		3/8"	2-JPCT-17.2-X
	18			2-JPCT-18-X
3	19	3/4"		3-JPCT-19-X
	20			3-JPCT-20-X
	21.3		1/2"	3-JPCT-21.3-X
	22			3-JPCT-22-X
	25	1"		3-JPCT-25-X
4	26.9		3/4"	4-JPCT-26.9-X
	28	1 1/8"		4-JPCT-28-X
	30			4-JPCT-30-X
5	32	1 1/4"		5-JPCT-32-X
	33.7		1"	5-JPCT-33.7-X
	35			5-JPCT-35-X
	38	1 1/2"		5-JPCT-38-X
	40			5-JPCT-40-X
	42		1 1/4"	5-JPCT-42-X



	PolyPropylene	PolyAmide	Aluminum
X	PP / PPH	PA / PAH	AL
20MM JAWS – PROFILE INSIDE WITH TENSION CLEARANCE	3-JPCT-20-PP	3-JPCT-20-PA	3-JPCT-20-AL
20MM JAWS – SMOOTH INSIDE NO TENSION CLEARANCE	3-JPCT-20-PPH	3-JPCT-20-PAH	-

ASSEMBLY

PCT	PCT1	PCT2	PCT3
JAWS + HEX BOLT + TOP PLATE + WELD PLATE	JAWS + SOCKET HEAD BOLT + TOP PLATE + WELD PLATE	JAWS + HEX BOLT + TOP PLATE + RAIL NUT	JAWS + STACKING BOLT + STACKING WASHER

ASSEMBLY CODE:- GROUP SIZE –TYPE OF ASSEMBLY - JAW TYPE – TUBE OD – MATERIAL OF METAL PARTS

20mm OD PP clamps with SS316 Top plate + Weld Plate & Hex Bolt = 3-PCT-PP-20-SS316	20mm OD PP clamps with STEEL Top plate + Weld Plate & Socket Head Bolt = 3-PCT1-PP-20	20mm OD PA SMOOTH bore clamps with SS316 Stacking Washer & Stacking Bolt = 3-PCT4-PAH-20-SS316	20mm OD PP clamps with STEEL Top plate, Hex Bolt & Rail Nut = 3-PCH3-PP-20
--	---	--	--